

HYGIENE & SANITATION

7100/7200 SERIES MASTERFLUSH TOILETS

Dometic MasterFlush 7100/7200 Series' toilets, with Omnidirectional Rotating Base Installation Technology (ORBIT), provide the only full 360° bowl-to-base rotation in a basic macerator toilet. The base can be rotated to any degree in relation to the bowl, providing virtually limitless floor plan and plumbing configurations in very tight spaces, while also providing a residential-size and bowl.

POWERFUL FLUSH
MACERATES WASTE

ORBIT BASE
ROTATES 360°

FITS ALMOST ANY HEAD
COMPACT FOOTPRINT



12/24 V

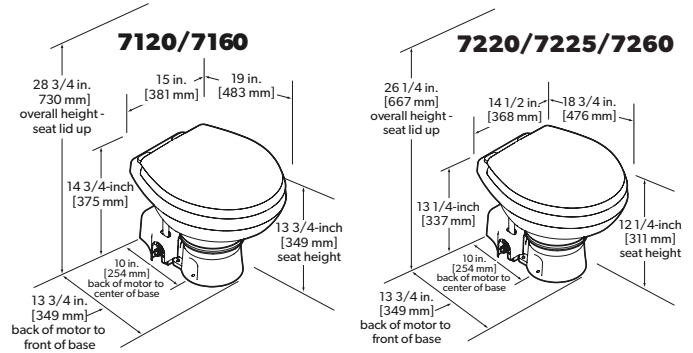
Mobile living made easy.

 **DOMETIC**

RESIDENTIAL-SIZE MACERATOR TOILET FITS ANY ANGLE, ANY HEAD, ANY BOAT

Key Benefits

- Full 360° bowl-to-base rotation allows virtually limitless positioning to accommodate small spaces and diverse plumbing layouts
- Integrated electric water valve on freshwater models
- Standard dual-function “add water/flush” switch, or optional triple-function “flush/add water/dry bowl” switch (freshwater flush model only)
- Flushes with as little as 1/3 gallon/1.21 l of fresh water
- Dual-stage impeller/macerator fully processes waste for thorough pump-out
- All 7100 models are equipped with a slow close seat



Model	7120	7160	7220	7225	7260
Description¹	Medium-height macerator toilet residential round-front bowl, Slow close seat		Low-profile electric macerator toilet, compact marine bowl	Low-profile macerator toilet, low profile seat, compact marine bowl	Low-profile electric macerator toilet, compact marine bowl
Water Source	Fresh (onboard)	Raw (seawater)	Fresh (onboard)		Raw (seawater)
Flush Switch	DFS-2F	DFS-1F	DFS-2F		DFS-1F
Weight (lbs/kg)²	35/15.9			35/15.9	
Power Draw	20 amps @ 12 V DC; 10 amps @ 24 V DC			20 amps @ 12 V DC; 10 amps @ 24 V DC	
Circuit Breaker/Fuse	25 amps @ 12 V DC; 15 amps @ 24 V DC			25 amps @ 12 V DC; 15 amps @ 24 V DC	
Wiring	12 ga. (up to 25 ft/7.6 m total circuit); consult ABYC guidelines for additional information			12 ga. (up to 25 ft/7.6 m total circuit); consult ABYC guidelines for additional information	
Water Supply ID Fitting (in/mm)	0.5/13 NPT	0.75/19 ID	0.5/13 NPT		0.75/19 ID
Min. Water Flow Rate (gpm/lpm)	2.0/7.6	N/A	2.0/7.6		N/A
Max. Raw Water Lift (ft/m)	N/A	4/1.2	N/A		4/1.2
Discharge ID Fitting (in/mm)	1.5/38 or 1.0/25				
Max. Discharge Horizontal Run (ft/m)³	40/12.2				
Max. Discharge Vertical Run (ft/m)³	4/1.2				
Min Height-Seat Down (in/mm)⁴	14.75/375		13.25/337	12/305	13.25/337
Max Height-Seat Up (in/mm)⁴	28.75/730		26.25/667	26.5/673	26.25/667
Width (in/mm)⁴	15.0/381		14.5/368		
Depth-Wall to Center of Base (in/mm)⁴	10.0/254			14.5/368	
Depth-Wall to Front of Base (in/mm)⁴	13.75/349			18.75/476	
Depth-Wall to Front of Bowl (in/mm)⁴	19.0/483		18.75/476		

¹ Optional DFS-2F or DFST flush switch must be ordered separately. White or bone colors available.

² Product weight only. Add 12 lbs/5.4 kg for shipping weight.

³ Horizontal and vertical run distances are not cumulative. Check for adequate discharge flow if installation nears one of these limits.

⁴ Dimensions may vary ± 0.375 in/10 mm.



1. VERSATILE

ORBIT technology adapts to floor plan and plumbing configurations in very tight spaces.



2. INSTALLATION FRIENDLY

An electric water valve is integrated into the base (fresh water flush models only)



3. CONVENIENT

Ultra-low-profile seat helps this toilet fit in the most restricted head spaces.