

# TALOS<sup>®</sup> SFD-1000-R

Remote Lightning Detection Device

Designed for OEM Applications

*\*Patent Pending*

SFD-1000-R Housing



Round Indicator



Square Indicator



## APPLICATIONS

- Golf Carts
- Boats
- Jet Skis
- ATVs and Lawn Equipment
- Construction Sites & Equipment
- Motorcycles
- Utility Trucks
- Agriculture

Designed for OEM customized applications, the SFD-1000-R utilizes a proprietary patent-pending compact design.

**\*Meets OSHA & NOAA requirements for protecting employees from dangerous lightning.**



## DESCRIPTION

Lightning can strike from 25 miles away, but thunder can only be heard from 10 miles away. This means lightning can strike even when the sky is blue and it appears no storm is in sight. Each year in the U.S., there are approximately 25 million cloud-to-ground lightning flashes and about 300 people struck by lightning causing death or permanent disability.

*How do you stay aware of changing weather conditions?* The TALOS Remote Lightning Detector alerts you to approaching or departing storm fronts and lightning by sensing the distance of the lightning strikes that are occurring in the area. Audible and visual alerts make you aware of potentially life-threatening situations.

*Why TALOS when your phone already provides weather alerts?*

- Phones are not always in hand when lightning is imminent
- Weather app alerts can be delayed due to tower/doppler location
- Weather apps alert at specific intervals - TALOS alerts in real time.
- The environment is too noisy to hear cell phone alerts
- Cell towers may be out of range



## INSTALLATIONS



## FEATURES & BENEFITS

- Up to 25 Mile Range
- Compact Design
- Same Technology Used in Expensive Weather Stations
- 3 Different Colors Indicate the Distance (approaching or departing) of the Storm Front:  
Green = 25 miles, Blue = 16 miles, Red = 6 miles
- 3 Audible Beeps Each Time Lightning is Detected.
- If Lightning Strikes Multiple Times in 1 second, all 3 Colors will Rotate Indicating Maximum Danger\*\*
- Flashes Yellow Once a Minute When in Active Listening Mode
- Easy to Mount
- Clean Look When Mounted
- Low Cost
- High Accuracy
- IP-67 Waterproof
- OEM Tested and Approved
- Low Power Consumption

## ELECTRICAL CONNECTIONS

- Red Wire: 12 Volt DC Positive
- Green Wire: 12 Volt DC Ground
- 6 Pin Waterproof Connector

## SPECIFICATIONS

Performance @ 25°C (77 °F)  
Operating Temperatures  
Reverse Polarity Protection

-20 to 80 °C (-4 to 176 ° F)  
Yes

Input  
Supply Voltage  
Current (listening mode)  
Current (detecting mode)

6-30 VDC  
400 µA  
4.5mA

Indicator Cutout Size

Round: 3/4" diameter  
Rectangle: 1.400"-1.450" Long x .800"-.825" Wide

Cable Size Options: 3 ft, 10 ft, 20 ft



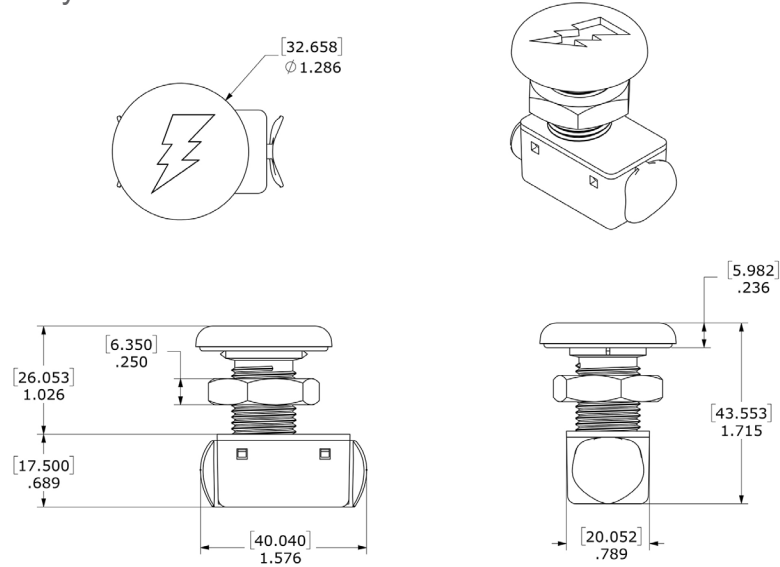
\*\*If remote housing is placed close to electrical noise interference, all colors will rotate, just as it would if multiple lightning strikes were detected at once.

REV: 6.21

## DIMENSIONS

### Round Indicator Assembly

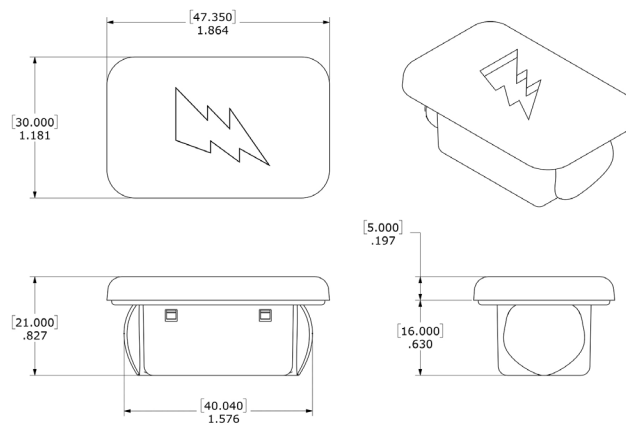
Measurements:  
Top Number = Millimeters  
Bottom Number = Inches



\*Requires 3/4" mounting hole

### Rectangle Indicator Assembly

Measurements:  
Top Number = Millimeters  
Bottom Number = Inches

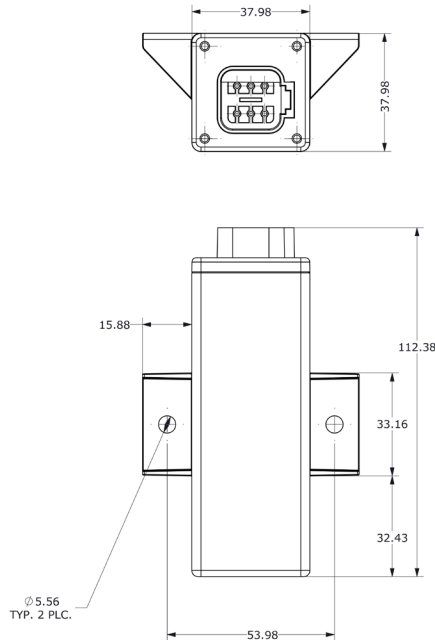


\*Fits inside industry standard rocker switch knockout



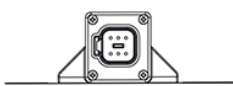
## DIMENSIONS

### Remote Housing Measurements in millimeters



## MOUNTING ORIENTATION

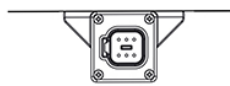
Mounting  
Tabs Bottom  
-1



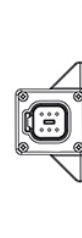
Mounting  
Tabs Left  
-2



Mounting  
Tabs Top  
-3



Mounting  
Tabs Right  
-4



Mounting Orientation determines where antenna will be placed inside the remote housing.  
Antenna must be facing skyward.

## ORDERING

Series  — Power Options  — Mounting Options  — Housing Color

1000-R = Remote Housing

-1 = Mounting tabs bottom  
-2 = Mounting tabs left  
-3 = Mounting tabs top  
-4 = Mounting tabs right

C = Clear  
B = Black  
W = White



\*Consult technical sales for custom OEM options/solutions

REV: 6.21

**HOUSING**



Clear



Black



White

**ACCESSORIES**

Optional Indicators



SFD-ANR-RSB



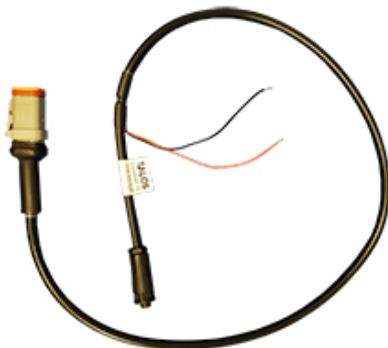
SFD-ANR-RSW



SFD-ANR-GRB



SFD-ANR-GRW



Optional 6" Splitter Cable  
(Required for use of dual indicators)  
SFD-SPLITR

Cable Lengths

Length	Part Number
3 ft:	SFD-CBL-03
10 ft:	SFD-CBL-10
20 ft:	SFD-CBL-20

Specifications may change without notice. The information we supply is believed to be accurate and reliable as of this printing. However, we assume no responsibility for its use. While we provide application assistance personally, through our literature and the PMT web site, it is up to the customer to determine the suitability of the product in the application.

