

COMMODORE

Non-Automatic Bilge Pump

13A Series Non-Automatic Bilge Pump

1100 GPH

- Compact Non-Automatic Bilge Pump (Requires Separate Float or Toggle Switch)
- One Size Pump Can Replace a 500, 600, 750, 800, 1000 & 1100 GPH Models
- Unique Removable Motor & Base, Replaceable in Seconds
- Threaded Outlet - No Need to Undo Hose Clamps While Servicing or Replacing
- Dual Size Outlets - Fits 3/4" and 1-1/8" Hose - Easier Compatibility
- Includes Check-Valve to Prevent Water Backflow Back into Bilge
- Advanced Impeller Design
- Fully Submersible & Ignition Protected
- High Efficiency Motor with Stainless Steel Motor Shaft



Quick Connector



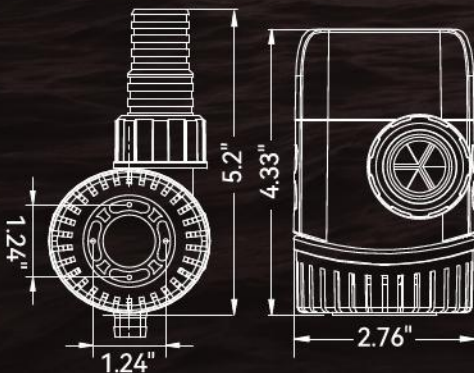
Dual Size Fittings included 3/4" & 1-1/8"

- Outlet: 3/4" & 1-1/8"
- Dual Size Straight Fitting Included
- 90 Degree 1-1/8" Fitting Included
- Quick Connect Plumbing, Wiring, Base & Motor
- Change Your Bilge Pump in SECONDS (not hours)
- Check Valve Prevents Backflow

Meets or Exceeds the following Standards:

ISO 8846, SAE J1171, ABYC C-1500, ABYC H-22, ISO 8849

1100 GPH / 12V
CM-A31-1100B



Standard Straight Fitting
3/4"(19mm) 1-1/8"(29mm)
Raccord droit standard
3/4"(19mm) 1-1/8"(29mm)



Optional Angled Fitting
1-1/8" (29mm)
Raccord angulaire en option
1-1/8" (29mm)



360° Fitting Rotation
Function
Fonction de rotation du
raccord à 360 degrés



Quick-Connect Plumbing Connection, Motor Connection & IP68 Wiring Connection Allows You to Replace Your Next COMMODORE Bilge Pump in SECONDS, not Hours.

La connexion rapide de la plomberie, du moteur et du câblage IP68 vous permet de remplacer votre prochaine pompe de cale COMMODORE en quelques secondes, et non en quelques heures.

