

COMMODORE

Non-Automatic Bilge Pump

13A Series Non-Automatic Bilge Pump

2000 GPH

1-1/8"
Outlet



- Quick-Connect Motor, Base, Plumbing and Wiring Makes this Pump Replaceable in Seconds
- Robust Non-Automatic Bilge Pump (Requires Separate Float or Toggle Switch)
- Threaded Outlet - No Need to Undo Hose Clamps While Servicing or Replacing
- Includes Check-Valve to Prevent Water Backflow Back into Bilge
- Straight and 90° Outlets Included
- Advanced Impeller Design
- Anti-Airlock Technology and Superior Moisture Tight Seals
- Fully Submersible & Ignition Protected
- High Efficiency Motor with Stainless Steel Motor Shaft

- Outlet: 3/4" & 1-1/8"
- Dual Size Straight Fitting Included
- 90 Degree 1-1/8" Fitting Included
- Quick Connect Plumbing, Wiring, Base & Motor
- Change Your Bilge Pump in SECONDS (not hours)
- Check Valve Prevents Backflow

12V



Quick Connector



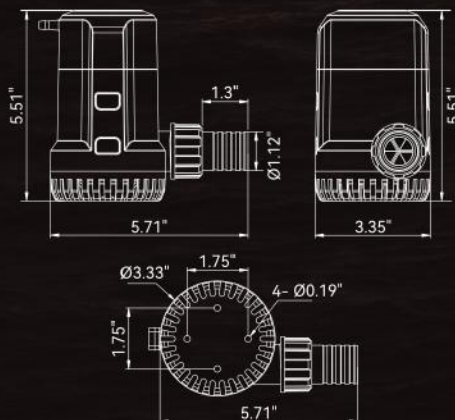
Straight and 90°



1-1/8" Fittings included

Meets or Exceeds the following Standards:
ISO 8846, SAE J1171, ABYC C-1500, ABYC H-22, ISO 8849

2000 GPH / 12V
CM-A31-2000B



Standard Straight Fitting
1-1/8" (29mm)
Raccord droit standard
1-1/8" (29mm)



Angled Fitting
1-1/8" (29mm)
Raccord angulaire
1-1/8" (29mm)



360° Fitting Rotation
Function
Fonction de rotation du
raccord à 360 degrés

Quick-Connect Motor, Plumbing & IP68 Wiring Connections
Allows You to Replace Your Next COMMODORE Bilge Pump in
SECONDS, not Hours.

Les connexions rapides du moteur, de la plomberie et du
câblage IP68 vous permettent de remplacer votre prochaine
pompe de cale COMMODORE en quelques secondes, et non en
quelques heures.

