

COMMODORE

Automatic Bilge Pump

13B Series - Electronic Sensing Model

2000 GPH

1-1/8"
Outlet



- Robust Automatic Bilge Pump - No Separate Float Switch Needed
- Unique Removable Motor, Base, Plumbing & Wiring - Replaceable in Seconds
- Threaded Outlet - No Need to Undo Hose Clamps While Servicing
- Straight & 90° Fittings Included for 1-1/8" Hose - Easier Compatibility
- Includes Check-Valve to Prevent Water Back Flowing Back into Bilge
- Advanced High-Flow Impeller Design
- Activation - Amp Sensor - Checks for Water Every 2.5 Minutes
- Fully Submersible & Ignition Protected
- High Efficiency Motor with Stainless Steel Motor Shaft
- CE, RoHS, ISO 8846, ISO 8849 Compliant

- Outlet: 3/4" & 1-1/8"
- Dual Size Straight Fitting Included
- 90 Degree 1-1/8" Fitting Included
- Quick Connect Plumbing, Wiring, Base & Motor
- Change Your Bilge Pump in SECONDS (not hours)
- Check Valve Prevents Backflow

12V



Quick Connector



Straight and 90°

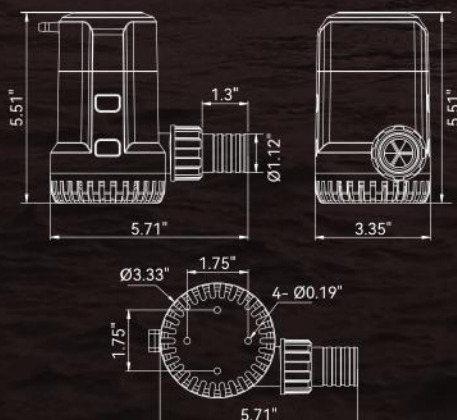


1-1/8" Fittings included

Meets or Exceeds the following Standards:

ISO 8846, SAE J1171, ABYC C-1500, ABYC H-22, ISO 8849

2000 GPH / 12V
CM-B31-2000B



Standard Straight Fitting
1-1/8" (29mm)
Raccord droit standard
1-1/8" (29mm)



Angled Fitting
1-1/8" (29mm)
Raccord angulaire
1-1/8" (29mm)



360° Fitting Rotation
Function
Fonction de rotation du
raccord à 360 degrés

Quick-Connect Motor, Plumbing & IP68 Wiring Connections
Allows You to Replace Your Next COMMODORE Bilge Pump in
SECONDS, not Hours.

Les connexions rapides du moteur, de la plomberie et du
câblage IP68 vous permettent de remplacer votre prochaine
pompe de cale COMMODORE en quelques secondes, et non en
quelques heures.

