

Compact, high-amp fuse protection—appropriate for DC Main, inverter, windlass, and bow thruster circuit protection

Single and dual fuse block options offer flexibility to deploy multiple circuits in a compact space.

Interrupt rating satisfies ABYC requirements for DC Main circuit protection on many large battery banks

Ignition Protected safe for installation in closed compartments with potential explosive gases

Clear window, visual indication of blown condition

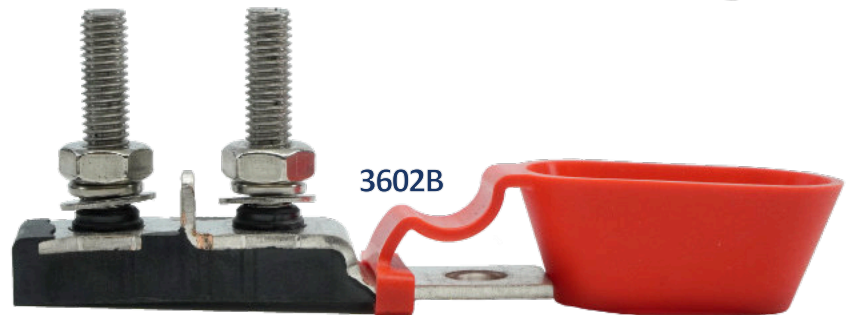
Mounts conveniently on XD Relay I/O terminals, battery terminals, and high ampere bus bar terminals.



3603-200B



3601B



3602B



Marine Rated Battery Fuses (MRBF) & Fuse Blocks



Protects Electrical Circuits from short circuit events and over-current loads, preventing wire insulation overheating and subsequent destruction.



Ignition Protected: Safe for installation in enclosed spaces on board gasoline engine powered boats, or in enclosed battery compartments.

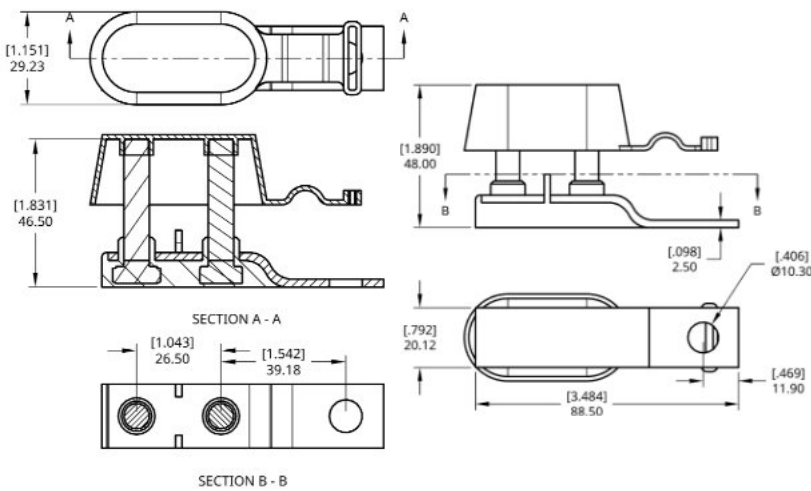


Bullet-proof Construction: Weatherproof, high temp materials for engine compartment applications, and solid mounting points.

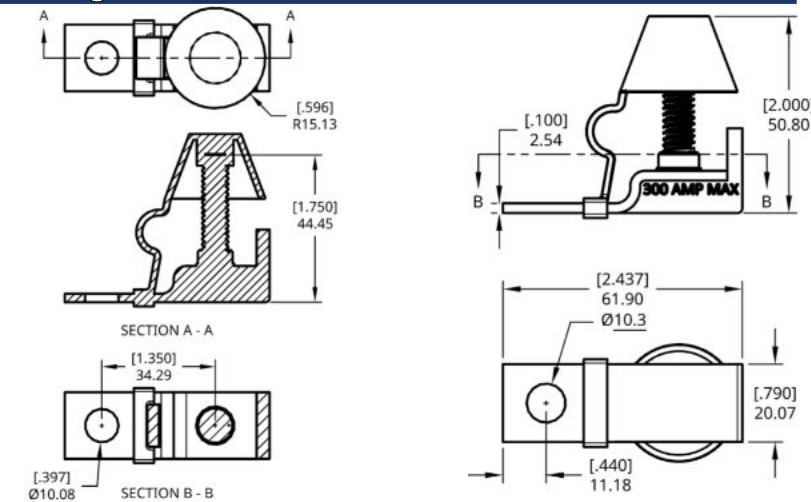


4 Year Industry Leading Warranty

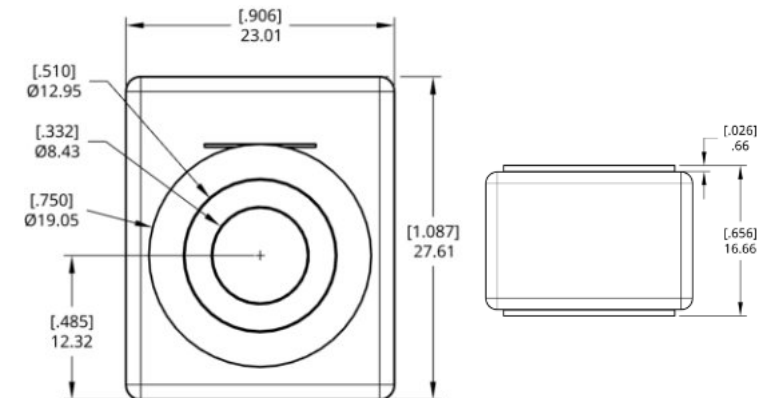
Dual MRBF Fuse Holder Dimensions



Single MRBF Fuse Holder Dimensions



MRBF Fuse Dimensions



Fuse Protection Specifications

% Of Fuse Rating	Time to Blow
100%	> 100 hr
135%	Max 900 sec
200%	Max 60 sec
350%	0.1 - 1.0 sec
600%	< 0.2 sec

Electrical Specifications

Interrupt Rating	10KA @ 14Vdc, 5KA @ 32Vdc, 2KA @ 58Vdc
Maximum Voltage Rating	58 Vdc
Fuse Amperage Range	30 - 300 Amps

Physical Specifications

Fuse Holder Mounting Hole	Clearance for 3/8" (M10), (10.3 mm)
Stud Hardware Material	Stainless Steel
Fuse Terminal Stud Size	M8 (5/16")
Max Terminal Stud Torque	14.7 ft-lbs (20 N-m) 20 Nm
Cable Terminal Stud Hole Size	5/16" (M8)
Ignition Protection	SAEJ1117 / ISO 8846
Ingress Protection (IP) Rating	IP66
Maximum Temperature	200 C
RoHs Compliant?	Y
Conductor Material	Tin Plated Copper Alloy
Protective Cover Material	Silicone Rubber
Base Insulator Material	PPS
CE Compliance	ISO 8846

Part Numbers

	Retail Pack	Bulk Pack
MRBF Terminal Fuse Block Single Output 30-300 Amp	3601	3601B
MRBF Terminal Fuse Block Dual Output 30-300 Amp	3602	3602B
MRBF Terminal Fuse - 30 Amp	3603-030	3603-030B
MRBF Terminal Fuse - 40 Amp	3603-040	3603-040B
MRBF Terminal Fuse - 50 Amp	3603-050	3603-050B
MRBF Terminal Fuse - 30 Amp	3603-060	3603-060B
MRBF Terminal Fuse - 75 Amp	3603-075	3603-075B
MRBF Terminal Fuse - 80 Amp	3603-080	3603-080B
MRBF Terminal Fuse - 90 Amp	3603-090	3603-090B
MRBF Terminal Fuse - 100 Amp	3603-100	3603-100B
MRBF Terminal Fuse - 125 Amp	3603-125	3603-125B
MRBF Terminal Fuse - 150 Amp	3603-150	3603-150B
MRBF Terminal Fuse - 175 Amp	3603-175	3603-175B
MRBF Terminal Fuse - 200 Amp	3603-200	3603-200B
MRBF Terminal Fuse - 250 Amp	3603-250	3603-250B

Related Circuit Protection Options



85 Series Surface & Panel Mount Circuit Breakers

Panel Mount 25-150A
 Surface Mount 25-250A
 Waterproof Ingress Protection
 48V Max Voltage 25-150A
 30V Max Voltage 175-250A
 Type III - Trip Free



87 Series Surface & Panel Mount Circuit Breakers

Panel & Surface Mount 25-250A
 High Switching Cycle Endurance
 Weatherproof Ingress Protection
 Type III - Trip Free
 48V Max Voltage