

Key Features:

- Available in IP or Analogue (CVBS, TVI, CVI, AHD) Formats
- Machined from 316 Marine Grade Stainless Steel or Aluminium
- 3MP HD Resolution (IP Models)
- 2MP HD Resolution (Analogue Model (TVI, CVI or AHD mode))
- SD Analogue (CVBS) format 1000TVL Resolution
- Compatible with Raymarine / Axiom (LH2 and Higher)
- Compatible with Furuno TZT / TimeZero 4.1
- Compatible with Navico MFD's inc. SIMRAD, Lowrance and B&G
- Compatible with CMAC for use with Garmin MFD's
- Built In Infra Red LED Illumination (8m Range)
- PoE Option (IRISS460 IP Model)
- Use Above or Below Water Level
- IP68 Environmental Protection

Applications:

- Work Boat & Commercial Shipping
- Luxury Motor Yachts
- Fishing & Sports Fishing
- Ferry Boats & Passenger Vessels
- Law Enforcement & Emergency Services
- Rapid Deployment Applications
- Vehicle & Transport Applications

Looking for a discrete backup or tender watch camera, covert security camera or through hull/through transom camera? Look no further - the IRIS-S435 (IP) / S1435 (Analogue / Analogue HD) compact bullet style camera is what you need.

Available in marine grade 316L stainless steel or anodised aluminium, the S435/S1435 is available as an IP camera (IRIS-S435) based on our best selling S460 camera engine and also in analogue/analogue HD formats (IRIS-S1435).

The camera features built in infra red LED illumination for close range (10m) visibility in the dark, and is supplied with 60° wedge adapters to enable you to angle the camera if necessary.

The IP version of the camera (IRIS435) is directly compatible with Raymarine, Navico (Simrad, B&G, Lowrance) and Furuno chart plotters. Compatibility with Garmin MFD's is achieved in conjunction with our CMAC camera management system for boats.

The analogue/analogue HD version of the camera can interface with all chart plotters supporting composite video in CVBS mode, and when switched to any of the three analogue HD modes (AHD, TVI, CVI) interfaces either through our CMAC system or by using an Iris TVI~HDMI convertor to provide HD resolution in real time.

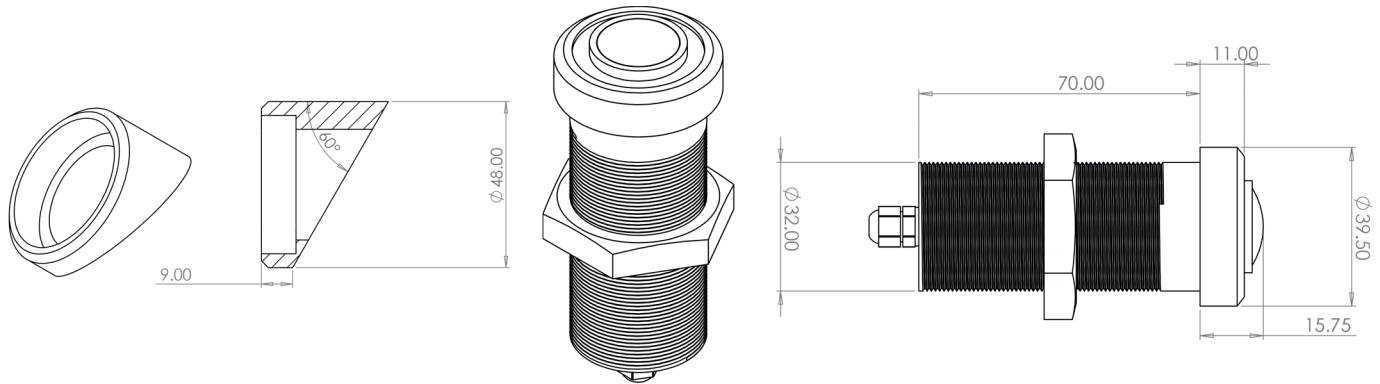
The camera can be supplied with 80°, 120° and 154° lens options and is ONVIF profile S compliant.

Finally, with an IP68 environmental rating, the camera can also be used below the water line to keep an eye on running gear, film your fishing adventures or even attached to a pole and used as an underwater inspection camera.

IRIS

IRIS-S435 / S1435

Multi-Purpose Recess Mounting Hi-Def Submersible Bullet Camera
for Above or Below Water



Camera Options:

| Model No. | Format | Resolution | Lens | Horizontal Field of View |
|-----------|----------|-------------|--------------------------------------|---|
| S060 | Analogue | 1000TVL | 3.6mm Standard, 1.8mm & 2.8mm Option | 3.6mm: 80° HFOV 2.8mm: 120° HFOV, 1.8mm 160° HFOV |
| S160 | HD-TVI | 1920 x 1080 | | |
| S435 | IP | 2304 x 1296 | | |

| | IRIS-S435 | IRIS-S1435 |
|--------------------------|--|--|
| Sensor | 1/4" CMOS Sensor | 1/3" Sony CCD Sensor |
| Resolution | Variable - 2048 x 1536 (3MP) Max | CVBS: 1000TVL / AHD, CVI, TVI: 1920x1080 |
| Interface | RJ45 10/100 Base T Ethernet / Setup through Browser | On Screen Overlay |
| Video Processing | H.264 / H.265 Codec / Dual Stream (Main / Substream) 3 Instances Max | 1VP-P CVBS Composite Video 75Ω / HD-TVI / HD-CVI / AHD Switchable |
| Protocols / Video Format | TCP/UDP/HTTP/Multicast/UPnP/NTP/RTSP/ONVIF | CVBS (PAL / NTSC) HD-TVI / HD-CVI / AHD |
| Onvif | Profile S v2.4 | NA |
| Bitrate | VBR / CBR 32kbps ~ 8Mbps | NA |
| Illumination | 6 x 850nm Infra Red - 10 meter Range / Available with White LED Illumination on Request | |
| Lens / Field of View | 3.6mm (80° HFOV) / 2.8mm (120° HFOV) / 1.8mm Wide Angle (154° HFOV) | |
| Mirroring | Horizontal & Vertical - Configure via Browser Interface | Horizontal & Vertical - Configure via OSD Menu |
| Automatic Gain Control | | |
| Compatibility | Raymarine / Axiom (LH2 or higher), NAVICO MFD's inc SIMRAD / LOWRANCE, B&G, Furuno Timezero v4.1 and higher. PC based systems, MFD's with digital (HDMI / DVI) Input, MFD's via IRIS NVR/HVR, IE Browser, CMAC systems, Garmin when used with CMAC Systems | MFD's with Digital (HDMI/DVI) Input with TVI-HDMI Converter, MFD's via IRIS NVR/HVR, CMAC Camera Management Systems. All MFD's with Composite Video Input, TV via AV Input, CMAC Camera Management Systems |
| Operating Temperature | -30 ~ +60 °C | |
| Connections | Water Resistant RJ45 Socket (Field Installable Backshell Supplied) / Non PoE with 2.5mm DC Power Socket | Video: 75Ω BNC Female Connector / Power: 2.5mm Standard DC Socket Connector |
| Material | 316L Marine Grade Stainless Steel / Aluminium Option Available | |
| Power | PoE IEEE802.3af / 12VDC <200mA Max. | 12VDC <200mA Max. |
| Weight & Dimensions | 0.XXKG (Stainless) / 0.XXKG (Aluminium ~ 40mmø x 86mm Length (27mm Above Panel) | |
| Environmental | IP68 | |