

## C 2 0 0 M

### IRIDIUM CERTUS® 200 Maritime Terminal



#### FEATURES

#### IRIDIUM CERTUS® TERMINAL DESIGNED FOR MARITIME AND SUITABLE FOR THE SMALLEST VESSEL OR USV

The Intellian C200M has been designed and manufactured as a small and lightweight terminal designed to fit on any vessel or USV. Many of the features and underlying technology of the C200M are common with the market leading Intellian C700 Maritime terminal that is trusted globally for its reliability and performance.

The Intellian C200M provides IP data speeds of up to 176 kbps (up and down), supports multiple concurrent voice calls, and can be configured as a stand-alone terminal or as a VSAT companion. Customers will gain both scalability and advanced performance over the Iridium Certus network whenever needed.

#### LOWER TOTAL COST OF OWNERSHIP

Intellian focus on delivering value to our customers through low total cost of ownership. This comes from building highly reliable terminals that are easy to install and have a wide range of features and functionality that reduces the amount of additional equipment required and minimises air time costs through automatic WAN switching and preventing out of policy usage. Intellian's responsive global support teams are there to help if needed and the terminal comes with a market leading 3 year parts and labour warranty.

#### ALL-IN-ONE SOLUTION

The C200M terminal delivers unparalleled features and functionality that include: WAN mediator, Wi-Fi antenna, built-in soft PBX & firewall and will be GMDSS-capable upon its introduction to Iridium Certus. Bringing all these features together in one package simplifies installation & configuration, and eliminates the possibility of conflicts that can occur when these features are provided using connected equipment.

#### SYSTEM HIGHLIGHTS

- Designed for Maritime market
- IP data speeds of 176 kbps up and down
- Includes dedicated interference blocking elements, making the terminal inherently resilient to interference from terrestrial cellular equipment and other sources off- or on-board the vessel
- Easy installation and simple configuration
- Built-in WAN mediator
- Wi-Fi antenna
- Built-in firewall
- Three simultaneous high quality voice lines
- 4-Port Ethernet (LAN) PoE and WAN
- Connect up to 16 SIP phones with Soft PBX function
- Designed for 10-year operational lifetime
- 3 year global warranty - parts and labour
- GMDSS ready \*

\*for non-SOLAS market when paired with Intellian GMDSS console. GMDSS console and SOLAS-compliant terminals are under development and will be available in the future

# C200M

## IRIDIUM SERVICES

Voice 3 simultaneous HD voice lines  
 IP Data **Uplink:** up to 176 kbps / **Downlink:** up to 176 kbps

## PHYSICAL

ADU Dimensions 240 x 145 mm / 9.45" x 5.71"  
 ADU Weight 3.5 kg / 7.7 lb  
 BDU Dimensions 280 x 190 x 41 mm / 11" x 7.2" x 1.45"  
 BDU Weight 1.2 kg (stand-alone type) / 2.6 lb

## POWER

DC Input 10.8 ~ 30 V DC  
 Power (max) 110 W

## RF / ANTENNA

Tx Frequency 1616 MHz ~ 1626.0 MHz  
 Rx Frequency 1616 MHz ~ 1626.5 MHz  
 Antenna Gain L2 Class  
 Antenna Connectors TNC female (ADU) – TNC female (BDU)  
 GNSS GPS, GLONASS, Galileo  
 Wi-Fi 802.11 b/g

## APPROVAL

Certification CE/RED, FCC, RoHS, ETSI

## ENVIRONMENTAL CONDITIONS

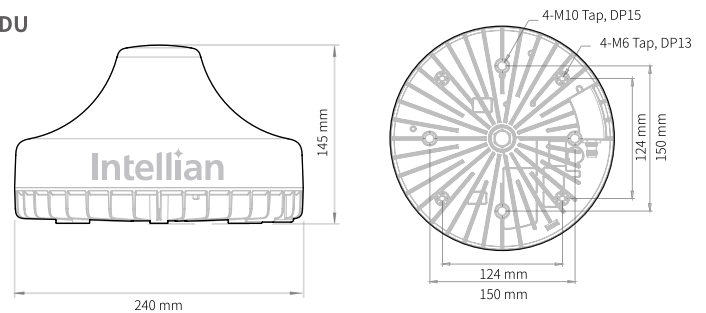
Operating Temp. range **ADU:** -30°C ~ + 55°C, **BDU:** -15°C ~ + 55°C  
 Operating Humidity range More than 95%  
 Water Ingress **ADU:** IP66, **BDU:** IP31  
**Shock:** IEC60068-2-27 (operation), IEC60721-3-6 Class 6M3 (survival)  
**Vibration:** IEC60945 (operation), IEC60721-3-6 Class 6M3 (survival)

## I/O

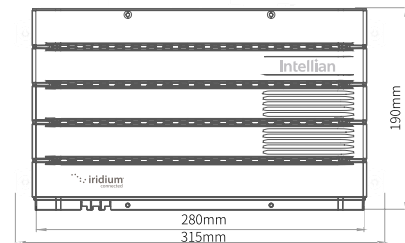
LAN 3 x RJ45 (2 PoE)  
 WAN 1 x RJ45  
 Analog Phone 1 x RJ14 (2 x Analog Phone)  
 Wireless Wi-Fi Antenna (SMA-RP)  
 I/O 10 pin GPIO  
 Others SIM, Reset, On/Off, Ground

## SYSTEM DIMENSION

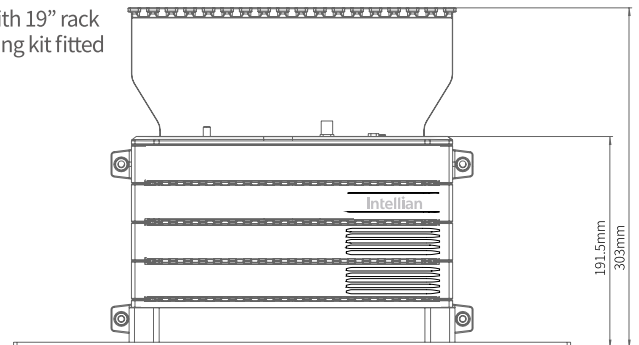
### ADU



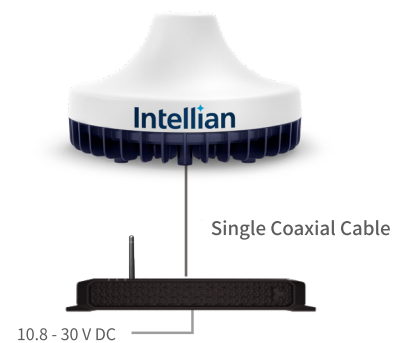
### BDU



### BDU with 19" rack mounting kit fitted



## SYSTEM DIAGRAM



### Global HQ

Innovation Center  
 Intellian Technologies, Inc  
 T +82 31 379 1000

### APAC

Seoul  
 Intellian Technologies, Inc.  
 T +82 2 511 2244

### Americas

Irvine  
 Intellian Technologies USA, Inc.  
 T +1 949 727 4498 Toll Free +1 888-201-9223

### EMEA

Rotterdam  
 Intellian B.V.  
 T +31 1 0820 8655