

Intellian

C200M GMDSS

Iridium Certus GMDSS System



FEATURES

SOLAS approved GMDSS system

The Intellian C200M GMDSS System is an Iridium Certus 200 GMDSS Satcom System. It meets all the latest standards and certification requirements for GMDSS communications equipment. GMDSS features include Distress Alert & Safety Voice as well as Maritime Safety Information (MSI).

The Iridium network provides 100% global coverage and hence with Intellian's Iridium GMDSS satcom equipment onboard there is no need to install equipment to comply with SOLAS GMDSS Area A4

Other communications

In addition to deliver GMDSS communications the system also supports SSAS communications and LRIT. It also can provide routine communications either as a standalone satcom solution or as a companion terminal

Easy to install

The system has been designed for easy installation on both new build and in-service vessels. A single coax antenna cable connects the BDU and ADU. The SDT can be either bracket mounted or flush mounted. There are a full set of accessories available, including a power supply, pole mounting kit, GMDSS Alarm Button, GMDSS alarm unit & optional printer. Mounting plates make it simple to install the SDT in place of the vessel's existing GMDSS satcom equipment.

Designed and built for ship staff and maritime environment

The system is comprised of an above deck unit (ADU), below deck unit (BDU) and a Safety Display Terminal (SDT) with handset. The SDT is intended to be mounted on the bridge console and provides the bridge team with access to the satcom GMDSS features. The SDT has been designed with ship staff in mind as it has a large 7" color touchscreen that uses Interplanar Switching (IPS) technology to provide a wide viewing angle. The user interface is intuitive and simple to use. There is both automatic dimming and manual dimming using a physical knob. A keyboard with integrated mouse is available as an accessory to make data entry even easier.

Intellian has used its extensive experience to design and manufacturing the system for the demands of the maritime including an operational temperature range of +55°C to -40°C (-40°F to -130°F)

Key Features

- Global coverage
- SOLAS approved (MED/Wheelmark)
- Distress Alert and Distress Call
- Safety Voice, Safety Messaging and MSI
- SSAS & LRIT
- Full set of accessories including power supply and optional printer
- Supports non-emergency communications

C200M ADU

Dimension	240 x 145 mm
Weight	3.5 kg
Tx Frequency	1616 MHz ~ 1626.0 MHz
Rx Frequency	1616 MHz ~ 1626.5 MHz
Antenna Gain	L2 Class
Antenna Connectors	TNC female (ADU) - TNC female (BDU)

C200M BDU

Dimension	315 x 190 x 42 mm
Weight	1.5 kg (stand alone type)
Power (max)	110 W
DC Input	10.8 ~ 30 VDC

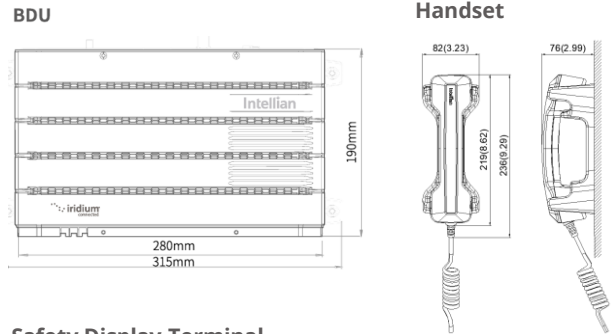
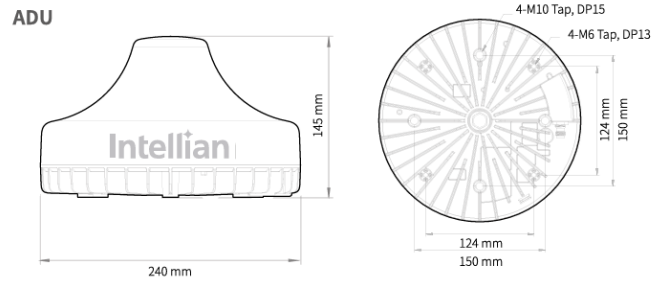
Safety Display Terminal (SDT)

Display	7" IPS TFT Full Touch Screen (1024 x 600)
Dimension	254(239) x 147(135) x 94(85) mm
Weight	1.0 kg
DC Input	24 VDC
IP Rate	IP32
Temperature (Oper.)	-15°C to +55°C (+5°F to +131°F)
Interfaces	Ethernet, RS-422 x 2, CAN, RS-232

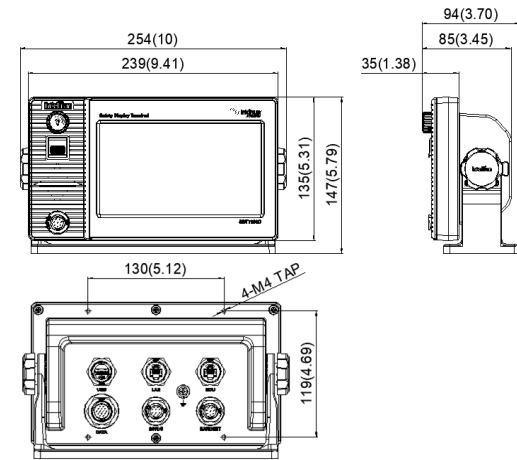
Handset

Weight (HS + wire)	0.4 kg
Dimensions	82 x 236 x 76 mm
Temperature (Oper.)	-15°C to +55°C (+5°F to +131°F)
IP rating	IP32

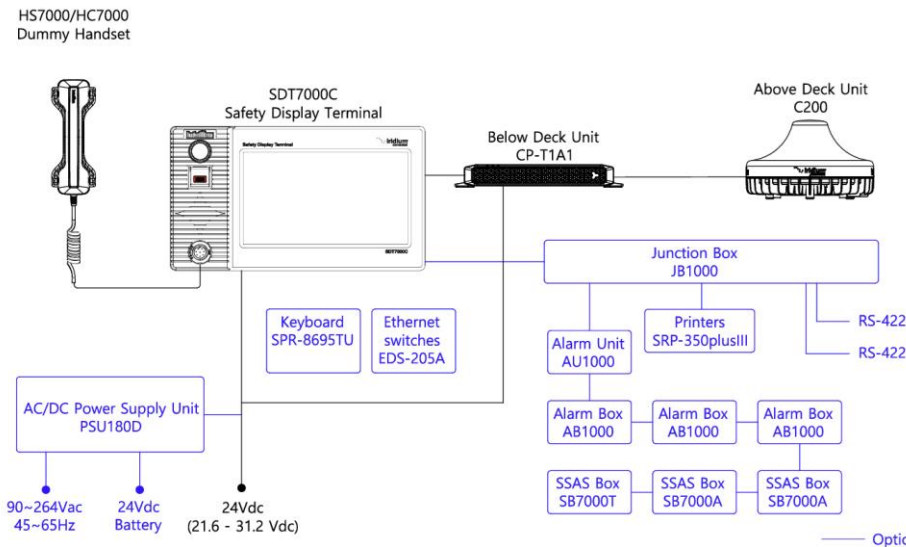
SYSTEM DIMENSION



Safety Display Terminal (SDT)



SYSTEM DIAGRAM



Contact

국내사업본부 / 부산

Intellian Technologies, Inc.
 부산시 해운대구 센텀중앙로 78 센텀그린타워 19층 우
 .48059 T +82 51 746 9695 F +82 51 746 9440

본사 / 이노베이션센터

Intellian Technologies, Inc.
 경기도 평택시 진위면 진위산단로 18-7 우
 .17709 T +82 31 379 1000 F +82 31 377 6185

판교 HQ

Intellian Technologies, Inc.
 경기도 성남시 분당구 판교로 344 아이디스타워 3층 우
 .13493 T +82 2 511 2244 F +82 2 511 2235