

**Sealed Against Dust & Water Intrusion** to ensure reliable circuit protection for the life of the electrical system installation

**High Voltage (48 Vdc) Rating** easily supports 12 and 24 Vdc applications while offering advanced protection for 36 and 48 Vdc applications

**Meets New ABYC E-11 Interrupt Requirements**

**High Interrupt Current** safely protects circuits connected to large paralleled battery banks with significant available power

**Ignition Protected** safe for installation in closed compartments with potential explosive gases

**Harsh Environment** design with stainless steel hardware self-locking terminal nuts



## 4707 Series Panel Mount Circuit Breakers



## 4704 Series Surface Mount Circuit Breakers



**Protects Electrical Circuits** from short circuit events and over-current loads, preventing wire insulation overheating and subsequent destruction.



**Automatic Circuit Protection & Manual On/Off Switching** combines dual functionality in one reliable and compact solution.



**Visual Indication of Circuit Opened** with bright yellow paddle, also used for re-setting to On.

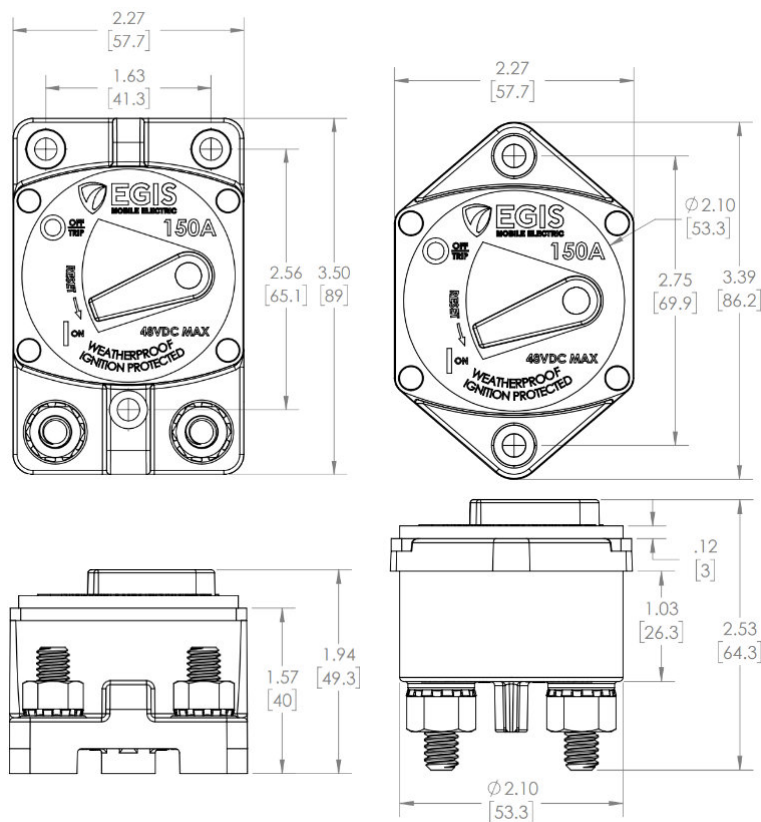


**Bullet-proof Construction:** Sealed device, high temp materials for engine compartment applications, and stainless self-locking hardware.



**4 Year Industry Leading Warranty**

## Product Dimensions



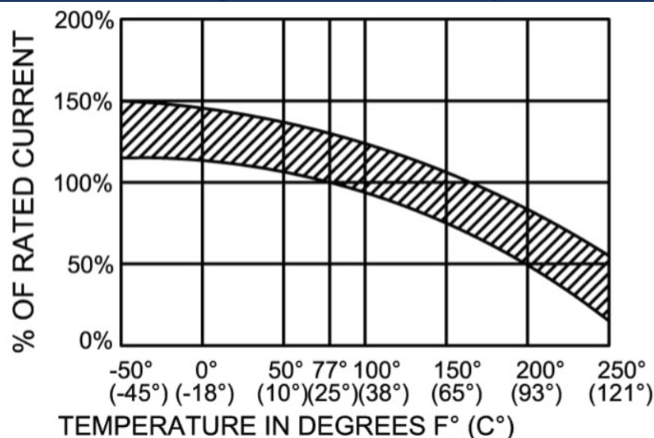
## Electrical Specifications

|   |                               |
|---|-------------------------------|
| Max Operational Voltage                 | 48 Vdc                        |
| Short Circuit Interrupt Rating (14 Vdc) | 5,000 Amps                    |
| Short Circuit Interrupt Rating (28 Vdc) | 3,000 Amps                    |
| Short Circuit Interrupt Rating (48 Vdc) | 1,500 Amps                    |
| Wire Size to Meet Rating (50 A)         | #8 AWG (10 mm <sup>2</sup> )  |
| Wire Size to Meet Rating (60 A)         | #6 AWG (16 mm <sup>2</sup> )  |
| Wire Size to Meet Rating (80 A)         | #4 AWG (25 mm <sup>2</sup> )  |
| Wire Size to Meet Rating (100 - 120 A)  | #2 AWG (35 mm <sup>2</sup> )  |
| Wire Size to Meet Rating (150 A)        | 1/0 AWG (50 mm <sup>2</sup> ) |
| Wire Size to Meet Rating (200 A)        | 2/0 AWG (85 mm <sup>2</sup> ) |
| Wire Size to Meet Rating (250 A)        | 2/0 AWG (85 mm <sup>2</sup> ) |

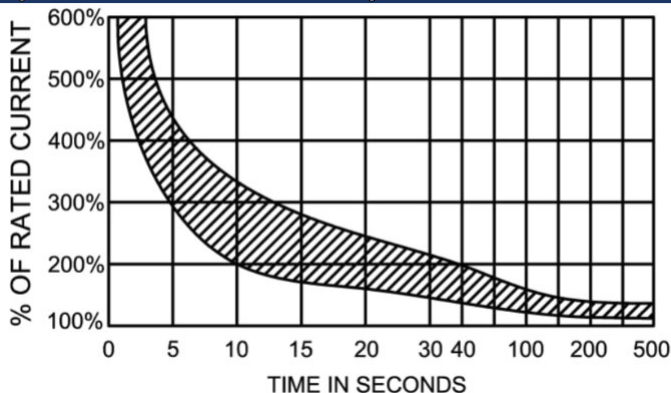
## Specifications

|                               |                           |
|-------------------------------|---------------------------|
| Max Operating Temperature     | 85 C                      |
| Min Operating Temperature     | -40 C                     |
| Max Storage Temperature       | 150 C                     |
| Min Storage Temperature       | -50 C                     |
| Hardware Material             | Stainless, Self-Locking   |
| Terminal Stud Size            | 5/16"-18                  |
| Max Terminal Stud Torque      | 75 in-lbs (8.5 N-m)       |
| Cable Terminal Stud Hole Size | 5/16" (M8) Nominal        |
| Ignition Protection           | SAE J1171                 |
| Flammability Rating           | UL 94 V0                  |
| Operating Humidity            | 0 to 90% RH               |
| Ingress Protection            | IP66                      |
| Mechanical Vibration          | 12g                       |
| Mechanical Shock              | 35g / 10 cycles           |
| Compliance                    | RoHs, SAE J553, ABYC-E-11 |
| RoHs Compliant?               | Yes                       |

## Current De-Rating vs Ambient Temperature



## Trip Current vs Time Delay



## Part Numbers

|   | Surface Mount | Panel Mount |
|---|---------------|-------------|
| 87 Series Thermal Circuit Breaker, 25A  | 4704-025B     | 4707-025B   |
| 87 Series Thermal Circuit Breaker, 30A  | 4704-030B     | 4707-030B   |
| 87 Series Thermal Circuit Breaker, 40A  | 4704-040B     | 4707-040B   |
| 87 Series Thermal Circuit Breaker, 50A  | 4704-050B     | 4707-050B   |
| 87 Series Thermal Circuit Breaker, 60A  | 4704-060B     | 4707-060B   |
| 87 Series Thermal Circuit Breaker, 70A  | 4704-070B     | 4707-070B   |
| 87 Series Thermal Circuit Breaker, 80A  | 4704-080B     | 4707-080B   |
| 87 Series Thermal Circuit Breaker, 90A  | 4704-090B     | 4707-090B   |
| 87 Series Thermal Circuit Breaker, 100A | 4704-100B     | 4707-100B   |
| 87 Series Thermal Circuit Breaker, 120A | 4704-120B     | 4707-120B   |
| 87 Series Thermal Circuit Breaker, 135A | 4704-135B     | 4707-135B   |
| 87 Series Thermal Circuit Breaker, 150A | 4704-150B     | 4707-150B   |
| 87 Series Thermal Circuit Breaker, 200A | 4704-200B     | 4707-200B   |
| 87 Series Thermal Circuit Breaker, 250A | 4704-250B     | 4707-250B   |

\*\* For Retail Pack Part Numbers, Remove "B" suffix from End of Part Number



www.egismobile.com  
360.768.1211  
Bellingham, WA U.S.A

