

- Sealed Against Harsh Environments
- 500 Amp Total / Pass-Through Current
- Five 20 - 200 A MIDI/AMI Fuse Slots
- Stainless Steel Self-Locking Hardware
- M6 (1/4") or M8 (5/16") Outputs
- Easy Busbar Connection to XD Relays



- Cover Included



**PATENT PENDING**

- Fuses Sold Separately



Extensive Set of Kits & Accessories For Plug & Play Install and Complete Switching/Protection Solutions.



8793B Triple Link Busbar



8794B Quad Link Busbar



8790B Dual Link Busbar



**Protects Higher Amp Electrical Circuits** from short circuits and overload events



**Protects Add-On Circuits** from accidental short circuits to frame ground or battery negative, or from overload events.

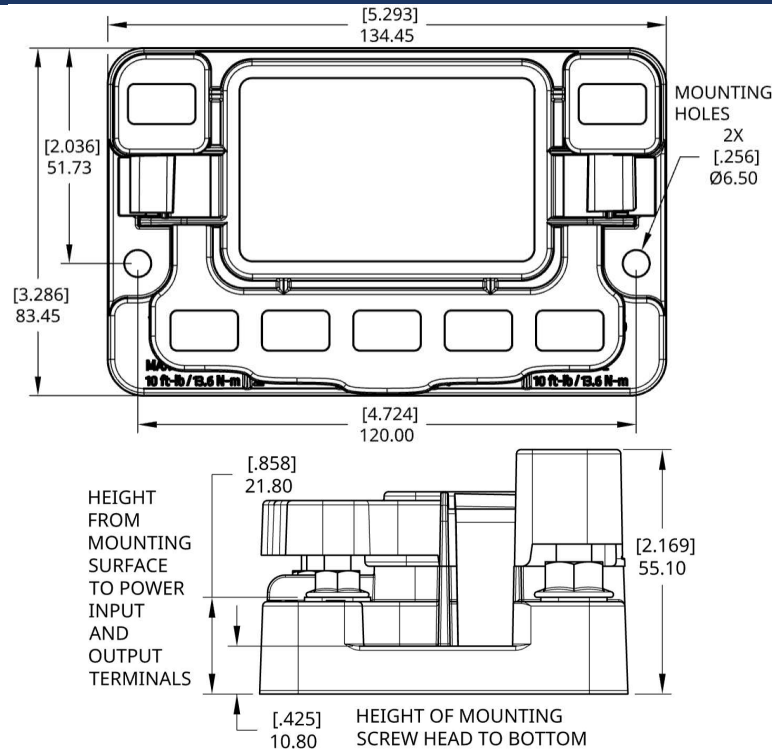


**Bullet-proof Construction:** High temp materials, Gore-Tex pressure regulating vent, and stainless steel self-locking hardware allow mounting anywhere.



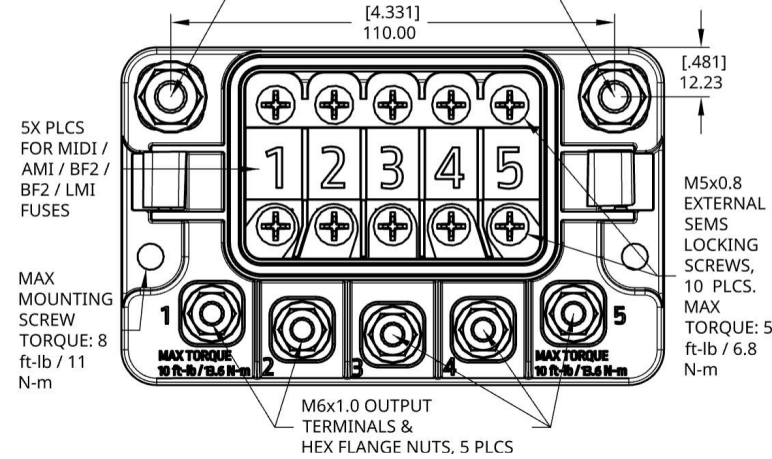
**5 Year Industry Leading Warranty**

# Product Dimensions



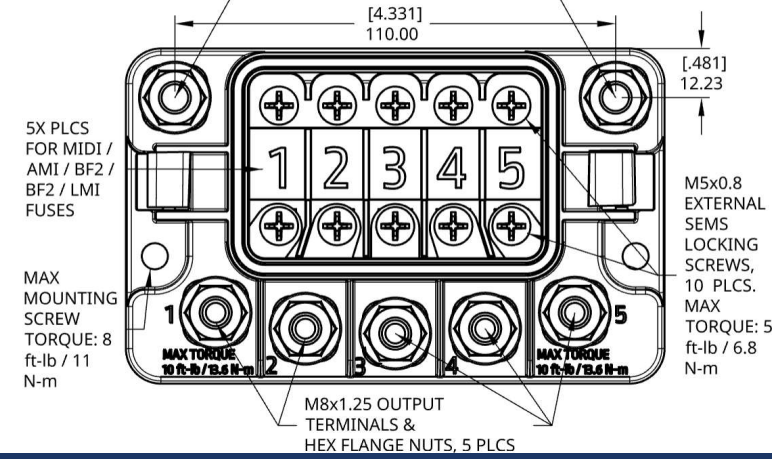
## 3906 Details

POWER INPUT AND EXPANSION TERMINALS  
 M8x1.25 OUTPUT TERMINALS &  
 HEX FLANGE NUTS, 2 PLCS



## 3908 Details

POWER INPUT AND EXPANSION TERMINALS  
 M8x1.25 OUTPUT TERMINALS &  
 HEX FLANGE NUTS, 2 PLCS

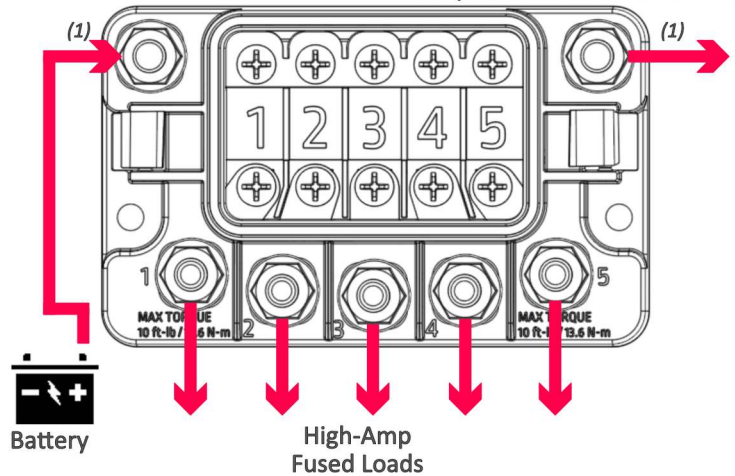


# Specifications

Max Total Continuous Current (Pass-Through & Fuse Output Current)	500 Amps
Max MIDI /AMI Fuse Value	200 Amps
Max Voltage	70 volts
Max M8 Power I/O Cable Size	4/0 AWG
Max M6/M8 Fuse Output Cable	2/0 AWG
Operating Temperature Range	-55 to 125 C
Ignition Protected	Yes, Per SAE J1171
Ingress Protection Rating	IP66 & IP6K9K
Max Vibration Withstand	50g (10-2000 Hz)
Max Shock Withstand	50 g
Hardware Material	Stainless Steel Self-Locking
M6 Terminal Stud Target/Max Torque	80 in-lbs/110 in-lbs
M8 Terminal Stud Target/Max Torque	100 in-lbs/120 in-lbs
Fastener Size for Mounting Holes	M6 or ¼"
Mounting Fastener Maximum Torque	80 in-lbs

## Typical Connection Diagram

(1) Input Power and/or Expansion Can Use Either Stud on Top of Device Expansion for Additional Components or Un-Fused Loads



**\* DISCONNECT BATTERY FROM POWER DISTRIBUTION SYSTEM BEFORE INSTALLING PRODUCT TO PREVENT ELECTRICAL SHOCK OR PRODUCT DAMAGE**

## Part Numbers

Part Number	Bulk Pack Part Number
Sealed MIDI Fuse Block, 5 Circuit, M6 Outputs	3906B
Sealed MIDI Fuse Block, 5 Circuit, M8 Outputs	3908B

## Related Part Numbers

Part Number	Bulk Pack Part Number
2 Hole Straight Link Busbar	8790B
3 Hole L Shaped Link Busbar	8793B
4 Hole Quad Link Busbar	8794B
MT Series Sealed ATM Block 12 Circuit	3412B
MT Series Sealed Split Input ATM Block 6+6 Circuits	3466B
MT Series Sealed Split Input ATM Block 9+3 Circuits	3493B
MT Series Sealed Split Input ATM Block 3+9 Circuits	3439B

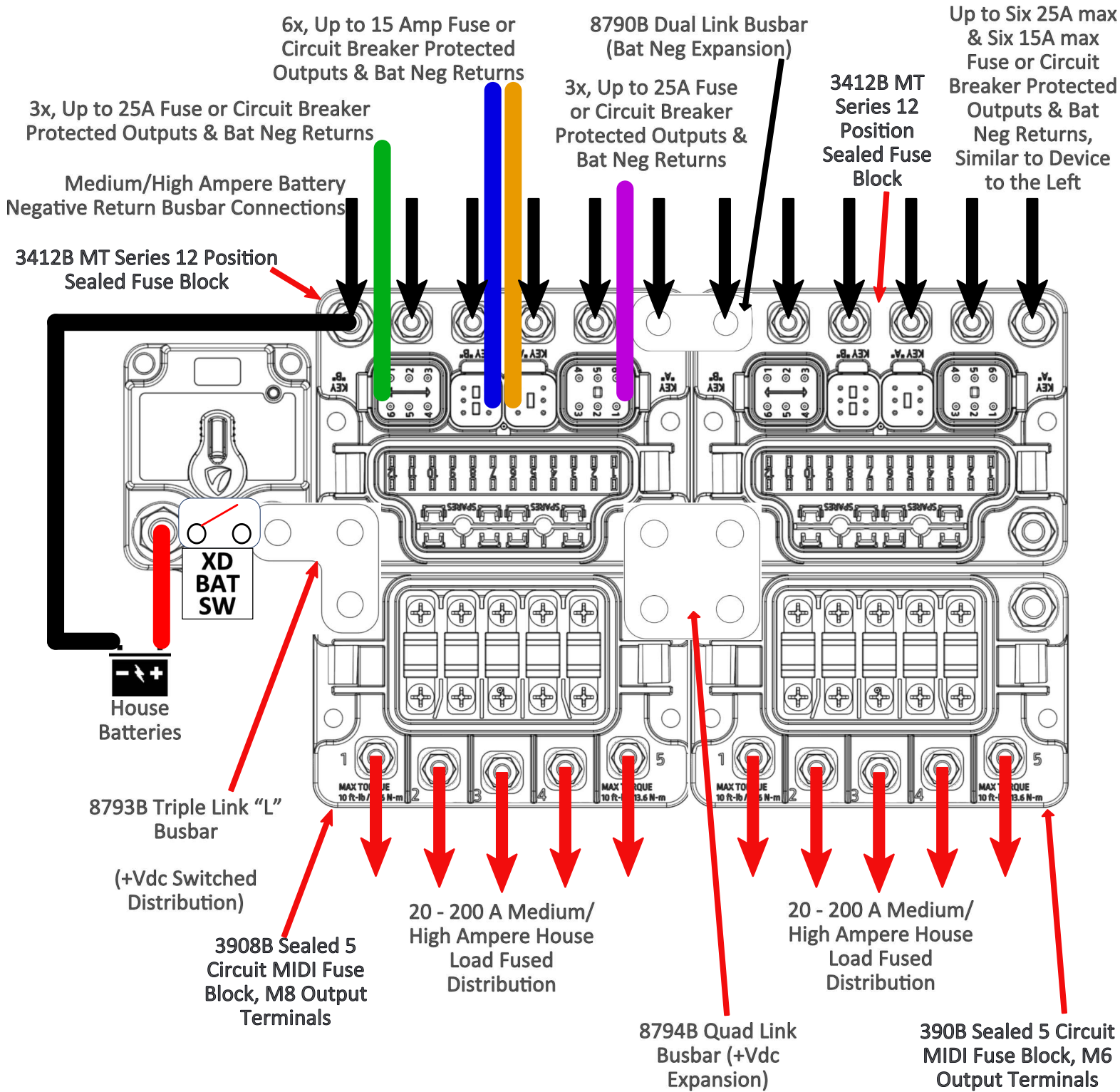
\* Custom product configurations available including stud sizes, and control harness wires. Low minimum quantities and short lead time for samples or production. Contact us at support@egismobile.com for more information



www.egismobile.com  
 360.768.1211  
 Bellingham, WA U.S.A



# Example System Configurations with Associated Products



www.egismobile.com  
 360.768.1211  
 Bellingham, WA U.S.A

