

Compact Solution Combines Circuit Protection And Ground Return Buss Into One Installer Friendly Device.

**PATENT PENDING**

200A Maximum Continuous Current

Three (3) Fused High-Amp (1-50A) Outputs Allow Protection Of All Circuits with One Solution.

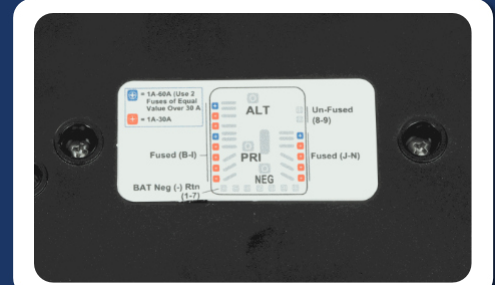
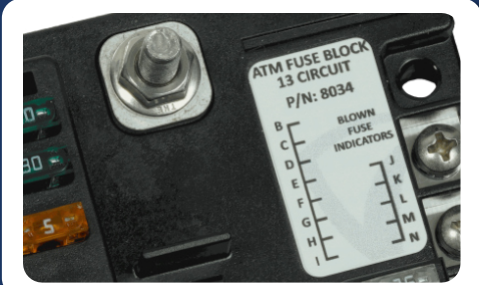
Stainless Steel Self Locking Hardware

Expandable Up to 31 Fused Outputs with RT or CT series Fuse Blocks

Integrated LED Blown Fuse Indicators



*Cover Not Shown, Fuses Sold Separately*



*P/N 8034, Cover Included*



**P/N: 8034**  
*Cover Included*



**Protects Branch Circuits** by accepting ATM-Mini Series style fuses.



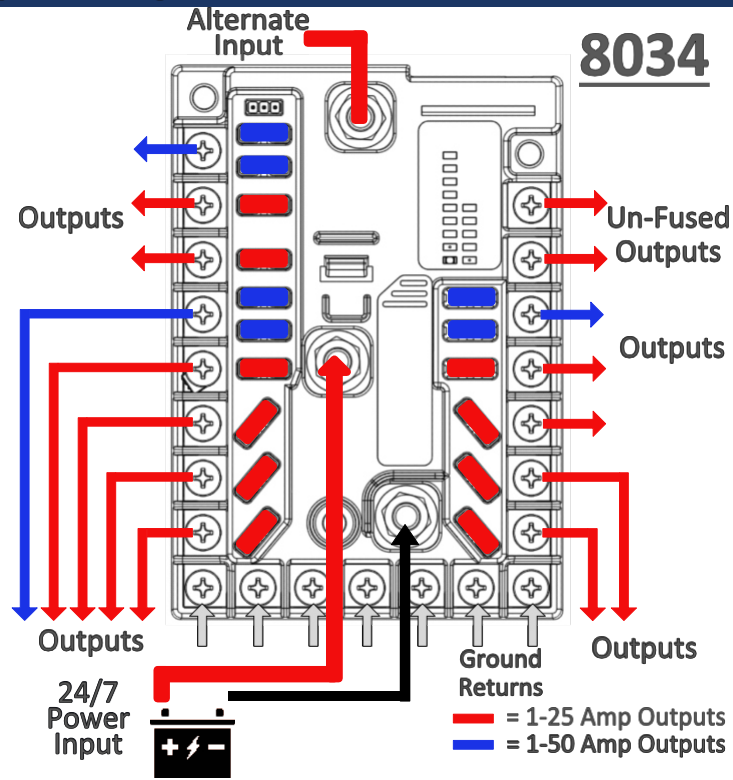
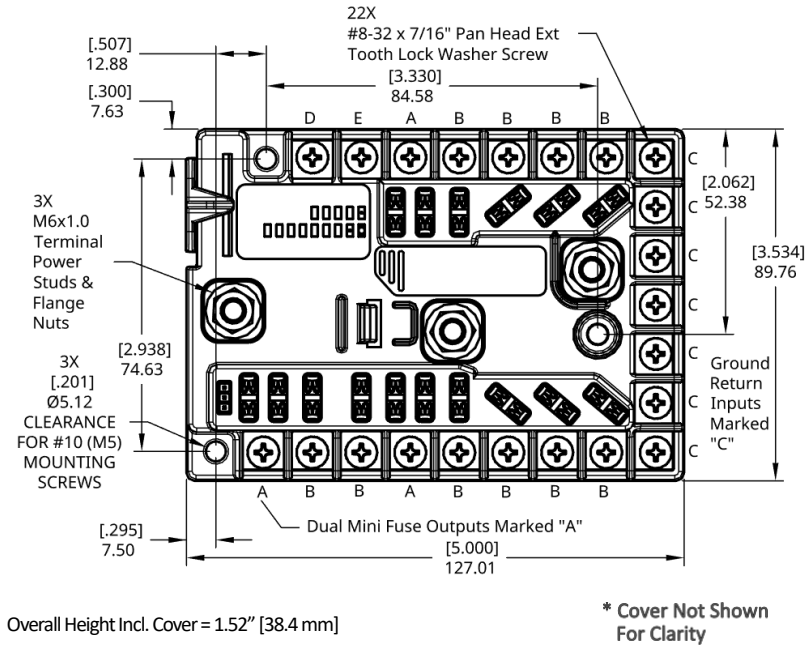
**Bulletproof Construction** Designed with high temperature materials and stainless steel self-locking hardware allow mounting anywhere on vehicle.



**Supports SAE Circuit Protection Standards** for thermal/short circuit events.



**4 Year Industry Leading Warranty**



Specifications

Input Voltage Range (Vdc)	8.0-36.0
Continuous Current (Total)	200 A
Max Current per Input	100 A
Max Output Current (Single / Parallel)	30 A / 50 A
Max Output Current (Unfused Outputs)	60 A
Maximum Input / Neg Cable Size	1/0 AWG (55 mm <sup>2</sup> )
Hardware Material	Stainless Steel Self-Locking
Output Screw Drive Bit Size	#2 Phillips
Ingress Protection Rating	IP20
Operating Temperature Range	-50 to 125 C
Storage Temperature Range	-50 to 125 C
Humidity (Non-condensing)	0 - 95% RH
Vibration 80 - 2000 Hz, Full Sine	20g Peak
Operational Shock, 11 ms, ½ Sine	20g Peak
Input Terminal Stud Size	M6 x 1.0
Input Terminal Nut Socket Size	M10
Input / Neg Terminal Torque	70-80 in-lb (7.9 - 9.0 N-m)

\* DISCONNECT BATTERY FROM POWER DISTRIBUTION SYSTEM BEFORE INSTALLING PRODUCT TO PREVENT ELECTRICAL SHOCK OR PRODUCT DAMAGE



Also Available: 8033 Dual Input Fuse Block

Part Numbers	Resell Pack	Bulk Pack
Split Buss Fuse Block, 13 Circuit	8033	8033B
Fuse Block, 13 Circuit	8034	8034B



www.egismobile.com  
 360.768.1211  
 Bellingham, WA U.S.A

