

STAYING TRUE TO YOUR COURSE.

Accu-Steer, Inc.

HIGH-PERFORMANCE HYDRAULIC CONTROL OF STEERING SYSTEMS

Defining **Reliability** through form and function.

(Each unit is completely tested after assembly)

Dedicated to quality high-performance hydraulic control of steering systems for yachts and commercial vessels.

Medium-Duty Hydraulic Reversing Pump Unit **HRP Series**

The Accu-Steer **HRP05**, **HRP11** and **HRP17** pump sets are designed to interface hydraulic steering systems with autopilot and electric steering controls. The output flow from the pump set determines the speed of the rudder. These pumps interface with most autopilots. Available in 12 VDC and 24 VDC.

FEATURES

- Accu-Steer **HRP05** outputs 0.5 cu in/sec
- Accu-Steer **HRP11** outputs 1.0 cu in/sec
- Accu-Steer **HRP17** outputs 1.6 cu in/sec
- Rugged compact construction
- Units mount easily
- Gerotor gear technology ensures "Whisper Quiet" operation

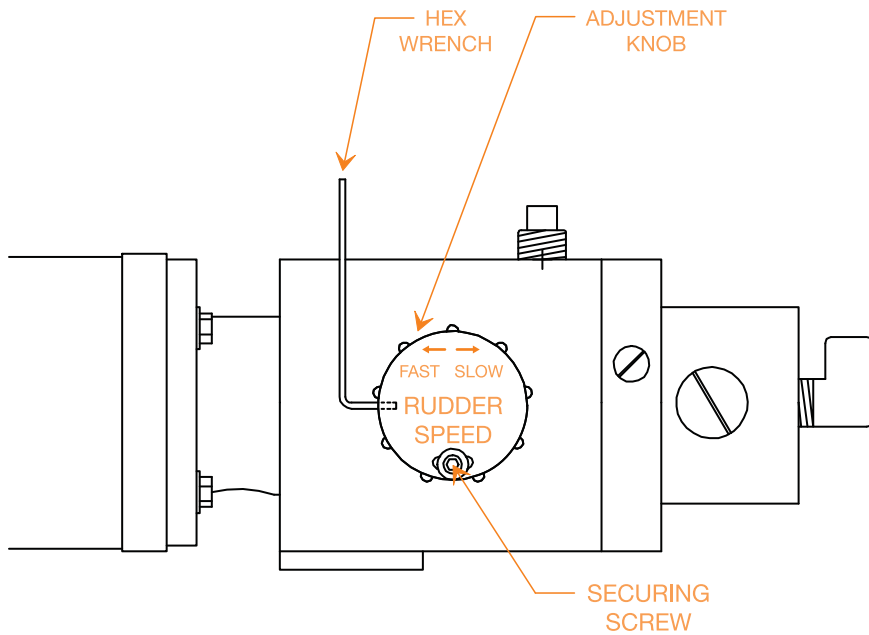
"The Whisper Quiet" Reversing Pump Set

Available models:

HRP05
HRP11
HRP17



Marina Square • 704 Coho Way • Bellingham, WA 98225
(360) 733-4565, telephone • (360) 733-4575, fax • cs@Accu-Steer.com • www.Accu-Steer.com



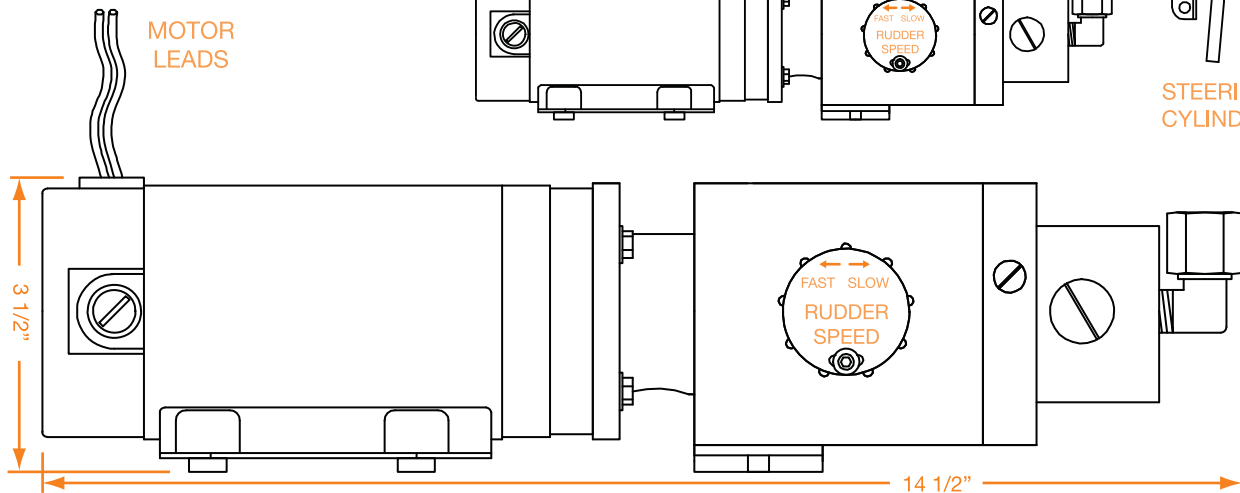
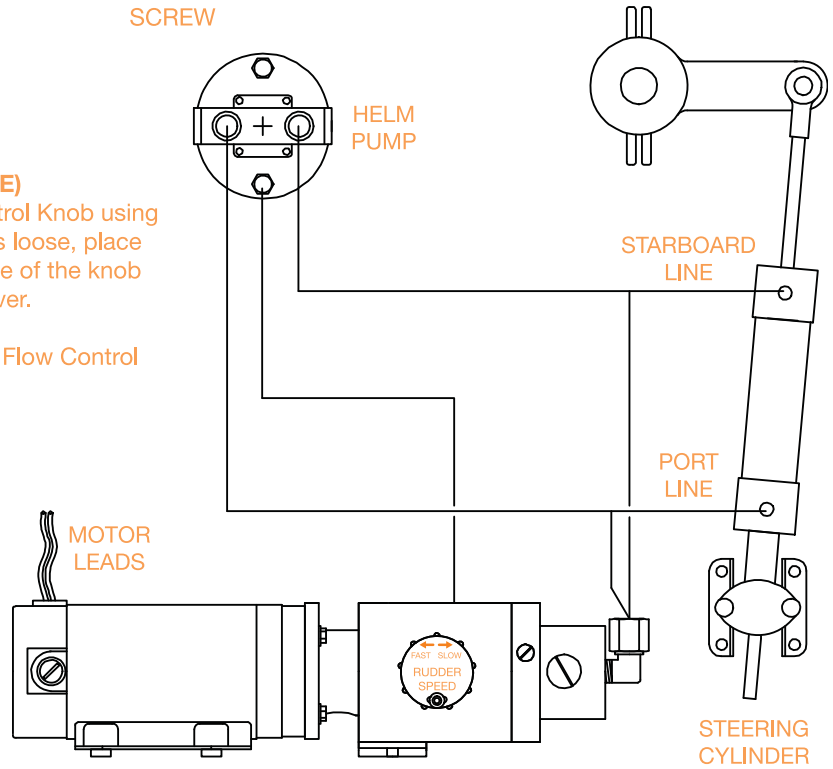
IMPORTANT

Do not loosen the securing screw more than three turns.

TO ADJUST HARD OVER TIME (H. O. TIME)

Loosen the securing screw in the Flow Control Knob using a 5/32" Hex Wrench. After securing screw is loose, place the 7/64" Hex Wrench in the hole on the side of the knob (as shown) and use the Hex Wrench as a lever.

In order to decrease the H. O. Time turn the Flow Control Knob clockwise.



- 12 VDC or 24 VDC REVERSING MOTOR
- ADJUSTABLE FLOW CONTROL
- BUILT-IN PRESSURE RELIEF VALVE