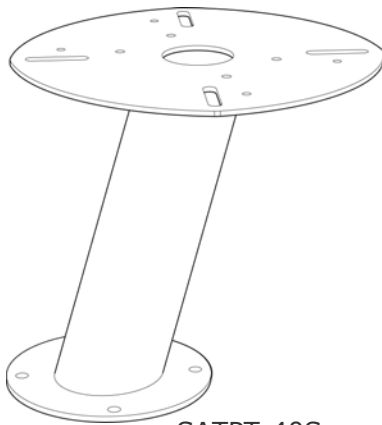


Satcom/TV PowerTower Stainless- SATPT-40S, SATPT-60S
Installation Instructions



SATPT-40S



SATPT-60S

SATPT-40S kit contents

- [] 1 x SATPT-40S with 2 x PT stickers
- [] 1 x SATPT Base Seal [19050]
- [] 4 x Nylon Shouldered Washers [64004]

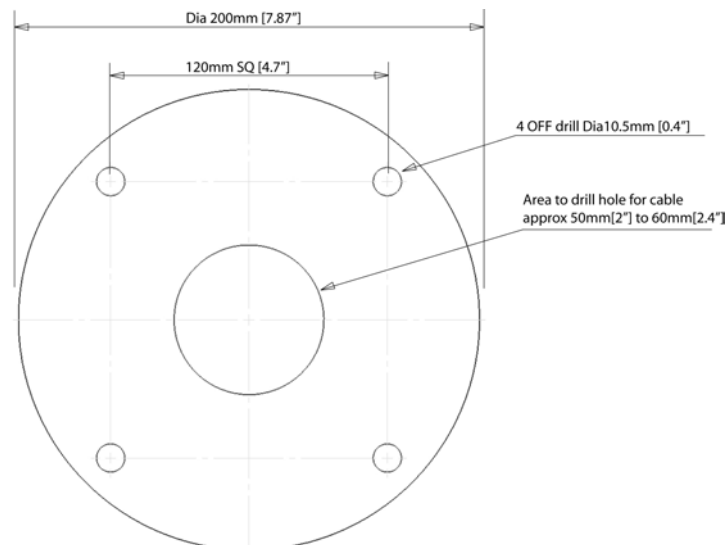
SATPT-60S kit contents

- [] 1 x SATPT-60S with 2 x PT stickers
- [] 1 x SATPT Base Seal [19083]
- [] 4 x Nylon Shouldered Washers [64004]

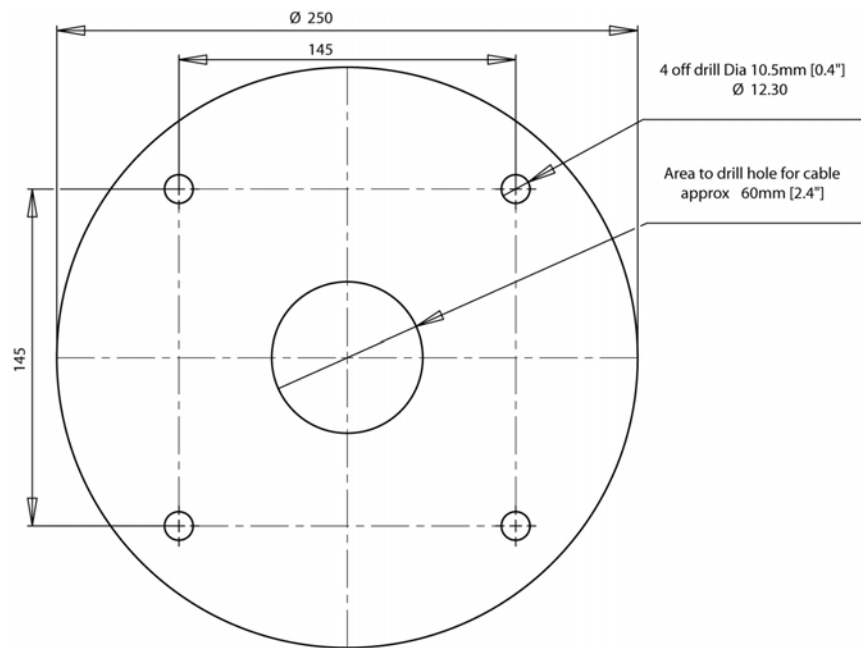
Also Required:

- 4 x M10 Stainless Steel bolts, large washers and nuts to attach SATPT to deck/arch. Length to suit deck/arch thickness.
- 10.5mm Drill.
- Hole Cutter for cable loom; approx 50[2"] or 60[2.4"]mm dia.

Drilling Guide: SATPT-40S



Drilling Guide: SATPT-60S



Fitting SATPT

1. Drill holes in arch to match SATPT base and a central cable exit – See drilling guide.
2. Thread the cable loom up through the arch, base seal and into the SATPT.
3. Pull enough cable through the SATPT and through the antenna's base seal to reach the antenna.
4. Once enough cable has been pulled through fasten the SATPT to the arch, ensuring foam Base Seal is positioned under the SATPT base.
5. With antenna sitting on it's base seal, fasten the antenna to the top plate with the bolts supplied and attach cable.