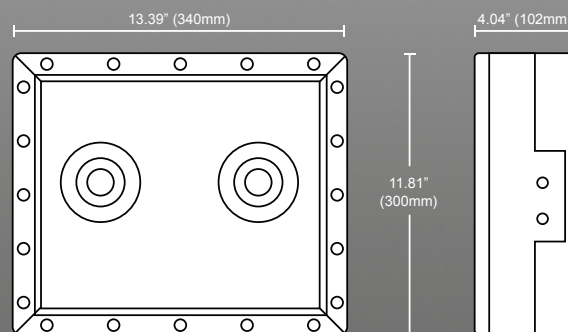




**CLASS I, DIVISION 2 LED FIXTURE
HAZARDOUS LOCATION LED FIXTURE**



EXTREME AREA LIGHT

LLB-60PC-31-10 &
LLB-60PC-31-EX (Hazardous Certified)

The new Lunasea 180W Flood Light produces the 24,000 lumens that really light up the work area. All this in a compact size with stainless brackets. Designed to project useful light at great distances, utilizing premier optics and the newest LED modules available today. Designed to last! 70 degrees of ultra bright light that utilizes Lunasea's proprietary thermal control electronics to guarantee long life in harsh temperatures and environments.

APPLICATIONS

Designed to efficiently light corrosive and Hazardous applications such as chemical, petrochemical, marine, power generation, pharmaceutical or food processing plants.

SPECIFICATIONS

- Voltage Range:** 90-305VAC, 50-60Hz, 127 - 431VDC
- Light Output:** 24,000 Lumen
- Beam Angle:** 70 Degree
- Operating Temp:** -40C - 70C
- Storage Temp:** -40C - 80C
- Color Temp:** Natural White, 4500K, 75 CRI
- LED:** Bridgelux, Cree, Phillips
- Environment:** IP65
- Enclosure:** Machined Marine Grade Aluminum
- Bracket:** 304 Stainless Steel
- Vent:** Gore Breather Valve
- Wiring:** 3 Wire
- Wire Length:** 6 Foot

Listings

- Conforms to UL Standards 844 for use in hazardous locations (tested by Imanna Labs)
- Conforms to UL Standards 1598 Wet Location & NFPA (tested by Imanna Labs)
- Class I, Division 2, Groups A, B, C & D; T-code of 6
- Meets USCG Requirements
- Outside Type (Salt Water)