

HIGH OUTPUT, HIGH EFFICIENCY LED LUMINAIRE



FEATURES

- Cool White Color (5,000K nom)
- High Output (16,670 lm)
- High Efficiency (125 lm/W)
- High Lumens-to-Weight Ratio (up to 2300 lm/lb.)
- Designed For Outdoor Use
- DC Input Models: 12VDC / 24VDC / 32V / 48VDC
- AC Input Models: 90VAC – 305VAC
- Low Power Consumption
- Mounting Bracket option

ABSOLUTE MAXIMUM RATINGS

RATING	MIN.	MAX.	UNITS
INPUT VOLTAGE (DC MODELS)*	10	55	VDC
INPUT VOLTAGE (AC MODELS)	90	305	VAC
INPUT FREQUENCY (AC MODELS)	47	63	Hz

OPERATING TEMPERATURE	-40	45	°C
-----------------------	-----	----	----

Note: * The DC voltage range is split into 4 different models.

ELECTRICAL CHARACTERISTICS (ALL RATINGS ARE AT 25°C UNLESS OTHERWISE SPECIFIED)

CHARACTERISTIC	MIN.	TYP.	MAX.	UNITS
POWER CONSUMPTION (Vin = 12VDC)		100		W
POWER CONSUMPTION (Vin = 18VDC-38VDC)		150		W
LUMINOUS FLUX (CALCULATED, Vin = 12VDC)		13,330		lm
LUMINOUS FLUX (CALCULATED, Vin = 18VDC – 38VDC)		16,670		lm
INPUT CURRENT DRAW – Vin = 12VDC		8.4		A
INPUT CURRENT DRAW – Vin = 24VDC		6.0		A
INPUT CURRENT DRAW – Vin = 32VDC		4.6		A
OVERVOLTAGE TRIP POINT	38	---	42	V

AC MODELS

CHARACTERISTIC	MIN.	TYP.	MAX.	UNITS
POWER CONSUMPTION		160		W
LUMINOUS FLUX (CALCULATED)		16700		lm
INPUT CURRENT DRAW – 120V AC		1.3		A
INPUT CURRENT DRAW – 240V AC		0.7		A
DC OUTPUT TO LUMINAIRE		24		VDC

LED COLOR

CHARACTERISTIC	MIN.	TYP.	MAX.	UNITS
COLOR ¹	---	---	5000	K

Notes:

1. Other colors available – consult factory.

PART ORDERING INFORMATION: SLM LO CC B TI SX

SLM (SENSITRON LUMINAIRE MODEL)

- LO Lumens Output in lumens x 1000
11 = 113,300 (100W, 12VDC)
16 = 16,670 (160W for AC, 145W for 24VDC / 32VDC / 48VDC)
- CC Color in 100K (standard offering is 50 - Cool White)
50 = 5,000K max
Others colors available – consult factory
- B Beam Angle
0 = 20
1 = 42
2 = 50
3 = 69
4 = 76
- TI TYPE OF INPUT (AC or DC)
D1 – 24V DC
D2 – 48V DC
D3 – 12V DC
D4 – 32V DC
A1 – 180W AC power supply is included
- SX SPECIAL ORDERS
SW – White Fixture

EXAMPLES:

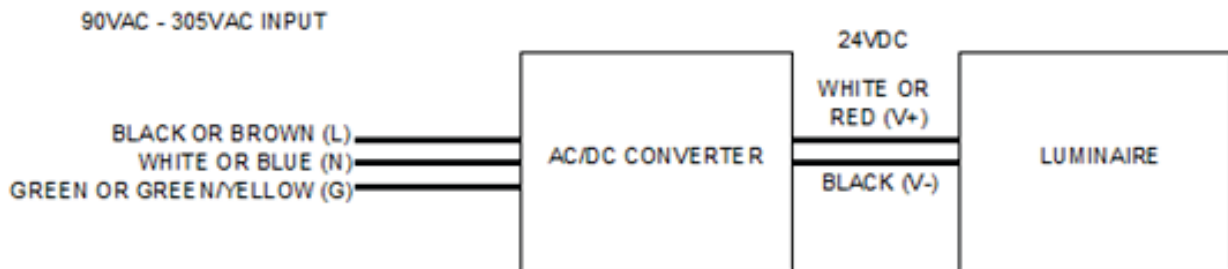
SLM11502D3S0 => 11,400lm, 5000K, 50, 12VDC

SLM16501A1SW => 16,700lm, 5000K, 42, 180W AC power supply, White Fixture

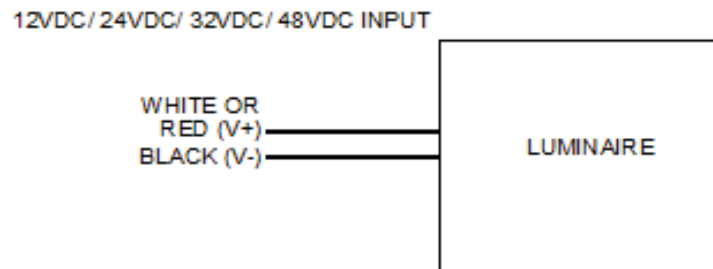
Mounting Bracket (option):

Please refer to our MBLM series brackets for compatible mounting options.

AC MODEL WIRING:

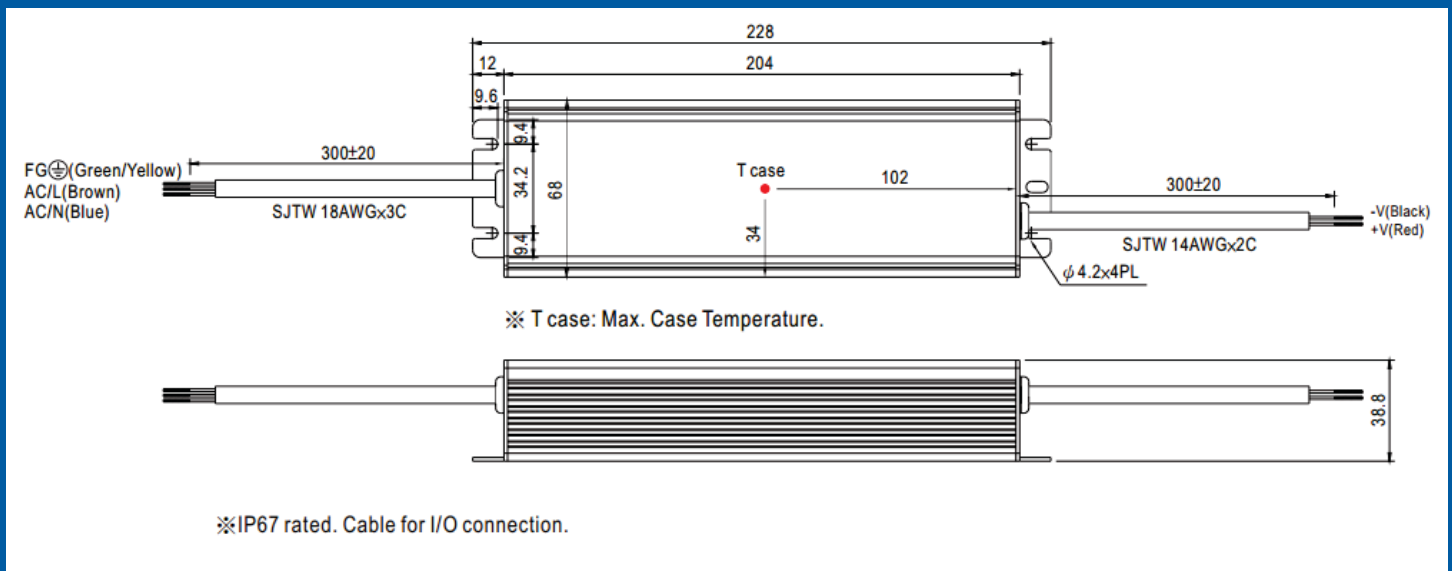


DC MODEL WIRING:

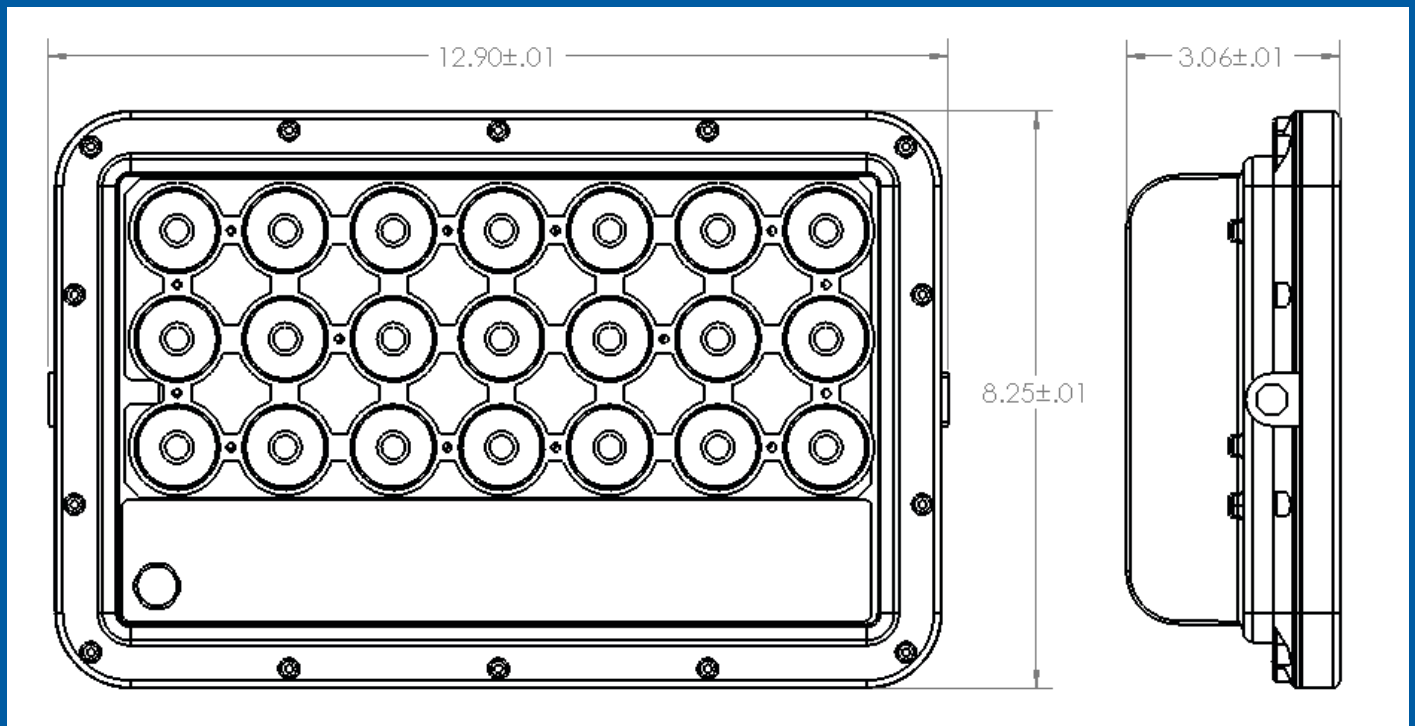


AC POWER SUPPLY MECHANICAL DIMENSIONS:

HLG-185H-24 24VDC Power Supply



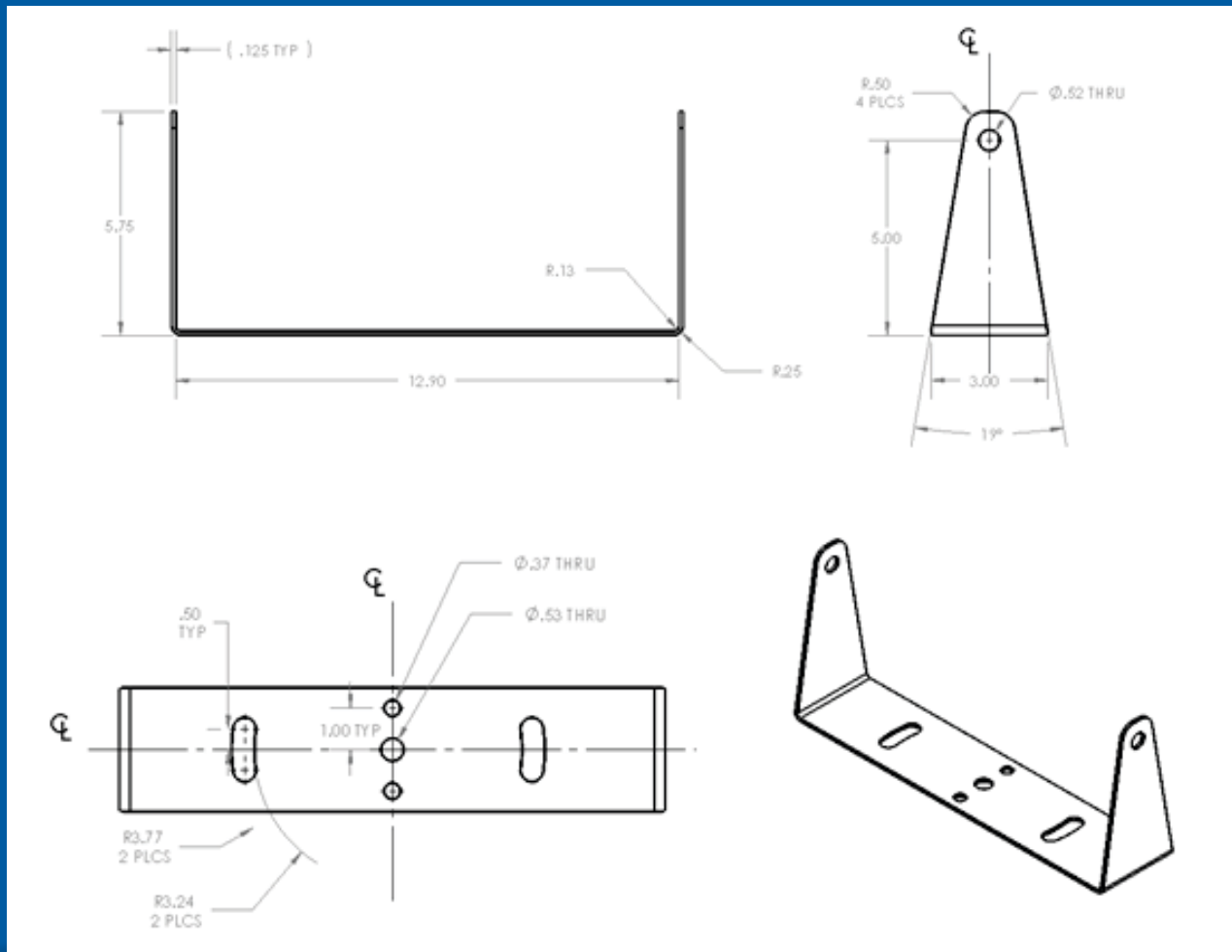
LUMINAIRE MECHANICAL DIMENSIONS & WEIGHT



Units in inches

Weight: 7 pounds (without mounting bracket)

STANDARD MOUNTING BRACKET



DISCLAIMER:

- 1- The information given herein, including the specifications and dimensions, is subject to change without prior notice to improve product characteristics. Before ordering, purchasers are advised to contact the Sensitron Semiconductor sales department for the latest version of the datasheet(s).
- 2- In cases where extremely high reliability is required (such as use in nuclear power control, aerospace and aviation, traffic equipment, medical equipment, and safety equipment), safety should be ensured by using semiconductor devices that feature assured safety or by means of users' fail-safe precautions or other arrangement.
- 3- In no event shall Sensitron Semiconductor be liable for any damages that may result from an accident or any other cause during operation of the user's units according to the datasheet(s). Sensitron Semiconductor assumes no responsibility for any intellectual property claims or any other problems that may result from applications of information, products or circuits described in the datasheets.
- 4- In no event shall Sensitron Semiconductor be liable for any failure in a semiconductor device or any secondary damage resulting from use at a value exceeding the absolute maximum rating.
- 5- No license is granted by the datasheet(s) under any patents or other rights of any third party or Sensitron Semiconductor.
- 6- The datasheet(s) may not be reproduced or duplicated, in any form, in whole or part, without the expressed written permission of Sensitron Semiconductor.
- 7- The products (technologies) described in the datasheet(s) are not to be provided to any party whose purpose in their application will hinder maintenance of international peace and safety nor are they to be applied to that purpose by their direct purchasers or any third party. When exporting these products (technologies), the necessary procedures are to be taken in accordance with related laws and regulations.