

D-XLTM PRO

With the enormous popularity of the original D-Series came the need for a slightly larger, more powerful lighting solution. The RIGID Dually XL PRO boasts more light than ever before in a housing that measures 4"x4". Recent improvements to the LEDs in the Dually XL Series PRO improve light output to up to 9,504 raw lumens while maintaining the efficiency that is the hallmark of the entire RIGID product line. Featuring an unbreakable polycarbonate lens, durable UV-resistant polyester powder coat, stainless steel hardware, and a vibration isolator, the Dually XL Series PRO is available with your choice of beam pattern and either Hybrid or Specter optics. Recent updates include new RIGID branding and blacked-out circuit boards for a more refined look. Whether it's off-road, power sports, general automotive, mining, agriculture, or fire and rescue, the Dually XL PRO is perfect for any application that requires a high intensity LED light.

**INCREASED LIGHT
OUTPUT WHILE
MAINTAINING
EFFICIENCY**





FEATURES

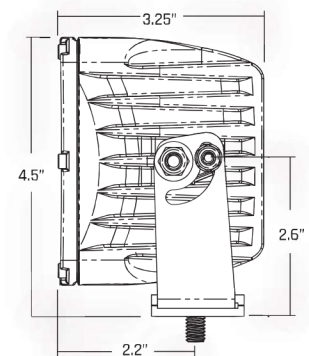
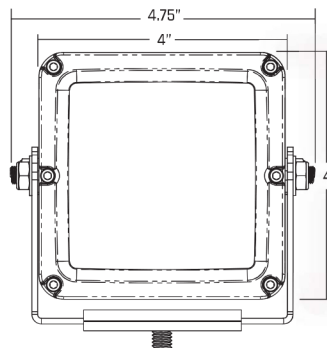
- 50,000+ Hour Lifespan
- 9-36 V DC
- Durable UV Polyester Powder Coat
- GORE® Pressure Equalizing Vent
- Harness & Switch Included (Exclusions Apply)
- High-Grade Aluminum Alloy Heatsink
- Integrated Thermal Management System
- Impact Resistant Polycarbonate Lens
- IP68 Compliant - Dust / Water Ingress
- Mounting Brackets Included
- Over / Under Voltage Protection
- Operating Temp -40° F ~ +145° F / -40° C ~ +60° C
- Protected Against RFI / EMI
- Patented Technology
- Reverse Polarity Protection
- RoHS Compliant
- SAE J575 Compliant - Shock / Vibration
- Waterproof Deutsch Connector (Exclusions Apply)

DIMENSIONS & MOUNTS

ALL HOUSINGS AVAILABLE IN WHITE



SURFACE MOUNT



WHAT BEAM
PATTERN WILL
SUIT MY NEEDS
THE BEST?

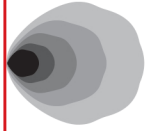


BEAM PATTERNS

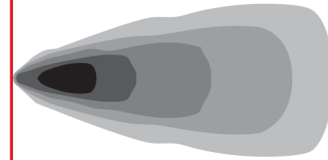
Our custom designed graphs are intended to illustrate the beam patterns that our optics produce. First, consider what type of application the light is needed for and then choose what beam pattern best suits your needs. Each beam pattern varies depending on the optic or optic combination you choose. Once you know which beam pattern best suits your needs, refer to the specifications table (A, B, C) to determine how much LUX output you need and which product will best suit your application.

FLOOD DIFFUSED

Flood optic behind diffused lens

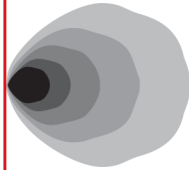


FLOOD

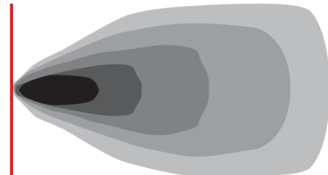


DRIVING DIFFUSED

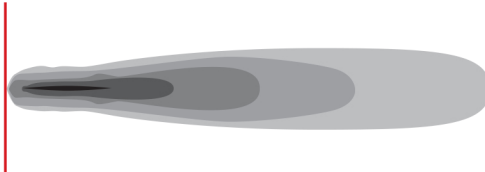
Driving optic behind diffused lens



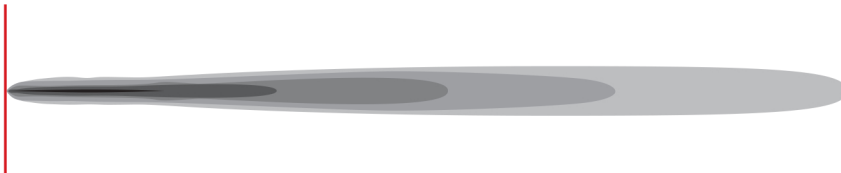
DRIVING



SPOT



HYPERSPOT



HOW MUCH
OUTPUT DO
I NEED?

A = LUX AT 10 METERS

B = BEAM DISTANCE (m) WITH 1 LUX

C = BEAM DISTANCE (m) WITH .25 LUX

SPECIFICATIONS



	MOUNT	BLACK SINGLE	BLACK PAIR	WHITE SINGLE	WHITE PAIR	WT. (LBS.)	WATTS	AMP DRAW @ 14V	LEDs	*RAW LUMENS	A	B	C	**PEAK BEAM INTENSITY(cd)
FLOOD DIFFUSED	SM	321313	322313	323313	324313	1.81	67	4.79	9	7128	40	63	126	2060
DRIVING DIFFUSED	SM	321713	322713	323713	324713	1.81	88	6.29	12	9504	75	86	173	7454
FLOOD	SM	321113	322113	323113	324113	1.81	69	4.93	9	7128	147	121	242	14681
DRIVING	SM	321613	322613	323613	324613	1.81	89	6.36	12	9504	638	252	505	63841
SPOT	SM	321213	322213	323213	324213	1.81	68	4.86	9	7128	1342	366	732	134226
HYPERSPOT	SM	321413	322413	-	-	1.81	33	2.29	9	2646	2081	456	912	208186

* Raw Lumens is based on LED manufacturer specifications.**Distance with .25 lux and Peak Beam Intensity are tested using ANSI/NEMA FL standards. (SM) = Surface Mount



LIGHTS COME WITH

- Mounting Hardware
- Stainless Steel, U-Shape Bracket
- Vibration Isolators
- Harness w/Switch
- Deutsch Connector