

polk
ULTRAMARINE
CERTIFIED

UMS66

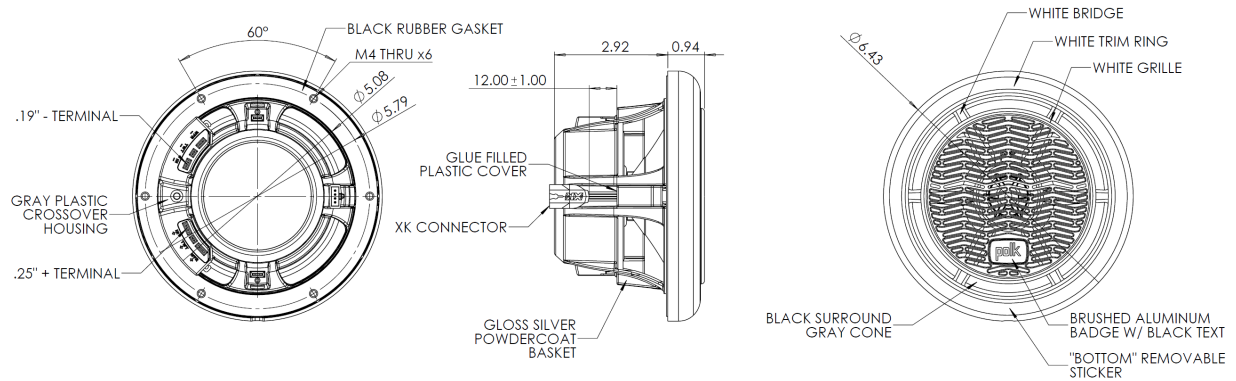
6.6" Coaxial Speaker



- Air suspension
- 150 watts maximum power handling
- Cast aluminum basket
- High temperature voice coil
- Snap on grille installation option
- Silver Cone
- Insulated tinsel leads

UMS66B Black
UMS66W White
UMS66S Smoke

asa
ELECTRONICS
2602 Marina Drive • Elkhart, IN 46514
www.asaelectronics.com



Specifications:

General Specifications:

Speaker Size	6.6"	
Woofer Material	Mica + Poly-propolene	
Tweeter Type	1" Dome	
Tweeter Material	Titanium Dome	
Voice Coil Size	1.0"	
Magnet Weight	12.4 oz	
Mounting Depth	2.92"	
Hole Size	5.08"	
Impedance	4 Ω	
Temperature Range	-30°C - 70°C	-22°F - 158°F
Max RH	100%	
Terminal Size	Positive – 0.248"	Negative – 0.189"

Performance Specifications:

Frequency Response	100 Hz –20 KHz
RMS Power	75 W
Max Power	150 W
SPL @ 1 W/ 1 M	87.5 dB
Resonant Frequency	82 Hz