

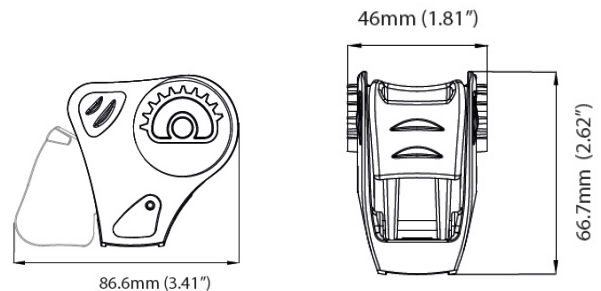
ROKK Mini Lowrance HOOK² Quick Release Adapter

Part No. RL-521



The NEW ROKK mini HOOK² mount was designed alongside Lowrance's product design team, ensuring the perfect fit for the HOOK2 4x, 4x GPS, 5x, 5 models, the world's easiest fish finder range.

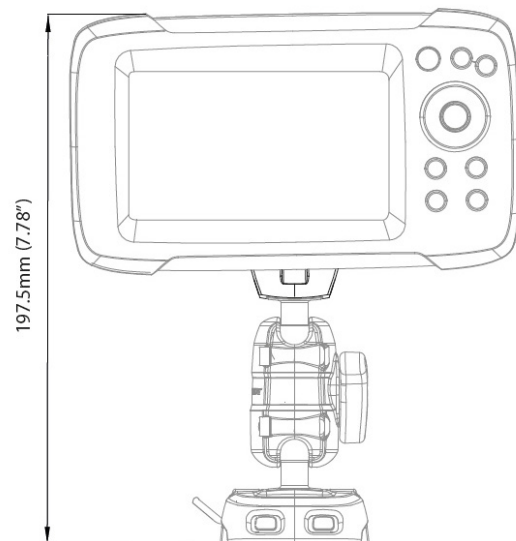
Dims	W 46mm (1.81") L 66.7mm (2.62") D 86.6mm (3.41")
Metals	316 stainless steel
Plastics	ASA
External Coating	UV resistant
Rating	Up to 6G



Product Highlights

1. Designed for HOOK² 4x, 4x GPS, 5x, 5 models
2. Pinch and lock design
3. Quick release
4. 360° rotation & 85° device tilt
5. Compatible with the ROKK mini body and all 6 ROKK mini bases.

Application



For the most direct access to Scanstrut technical support and your local sales representative visit