

SCANSTRUT

ROKK™

WIRELESS.

Active.

NEW
FOR 2019

It's time to get Active.....Dock, Charge, Connect.

Working directly with a 12/24V power supply, Scanstrut ROKK Wireless Active securely holds and wirelessly charges your phone even in the toughest conditions.

Mount your phone exactly where you need it – inside or out. One-handed operation for easy docking. Charging is instant, no connection needed.

Self-aligning, high-grip jaws fit a wide range of phone sizes and securely hold your device.

Fully sealed, IPX6 waterproofing means you can now wirelessly charge your phone anywhere outdoors, anywhere on-board. Four mounting screws and a watertight cable pass-through make for a simple installation.

Easy to clean, just wash down with fresh water.

Features:

- One-handed dock/charge operation.
- Instant charging. No connection needed.
- 12/24V input compatible.
- IPX6 Waterproof.
- Self-aligning grips securely hold your phone.
- Qi-certified wireless charging.
- Compatible with wide range of device sizes from Apple, Samsung and many more.



EAN-13	UPC-A	Code	Description
5060114797307	819505020556	SC-CW-04E	High-performance 12/24V waterproof wireless charging phone mount, engineered for an active environment.

For more information please contact:

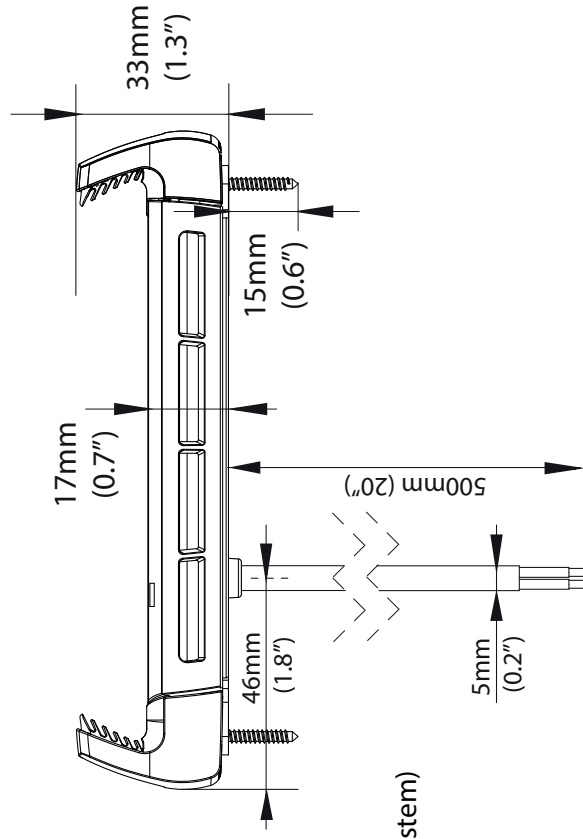
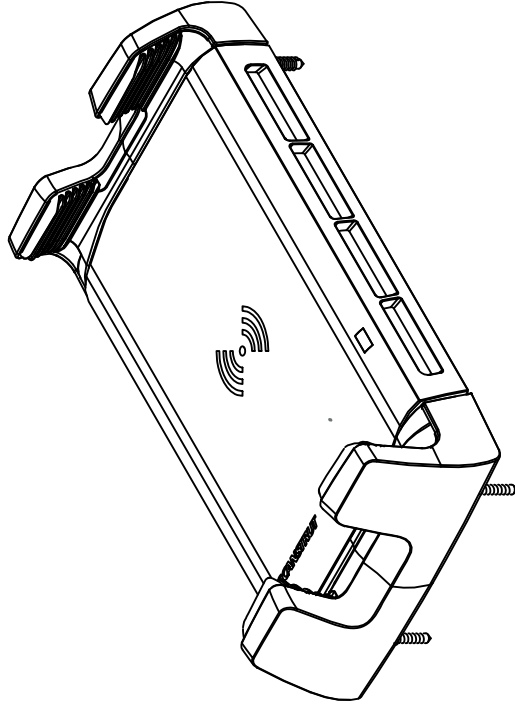
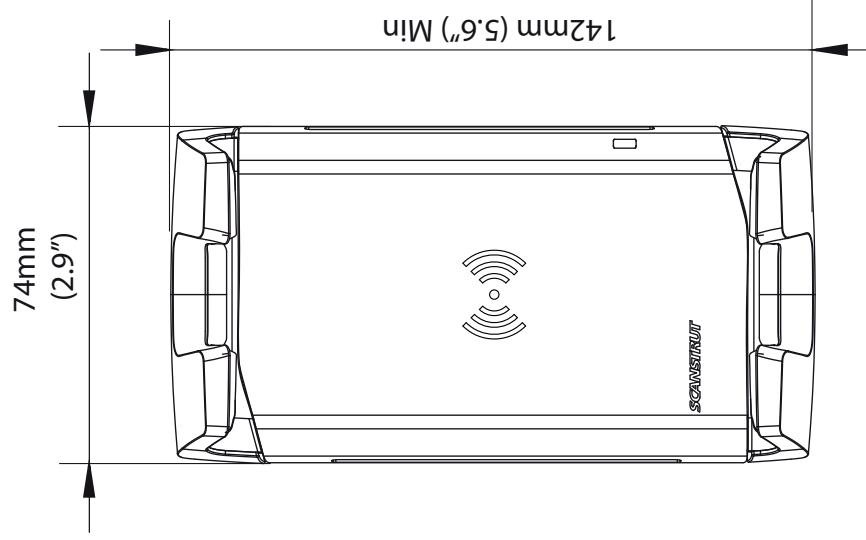
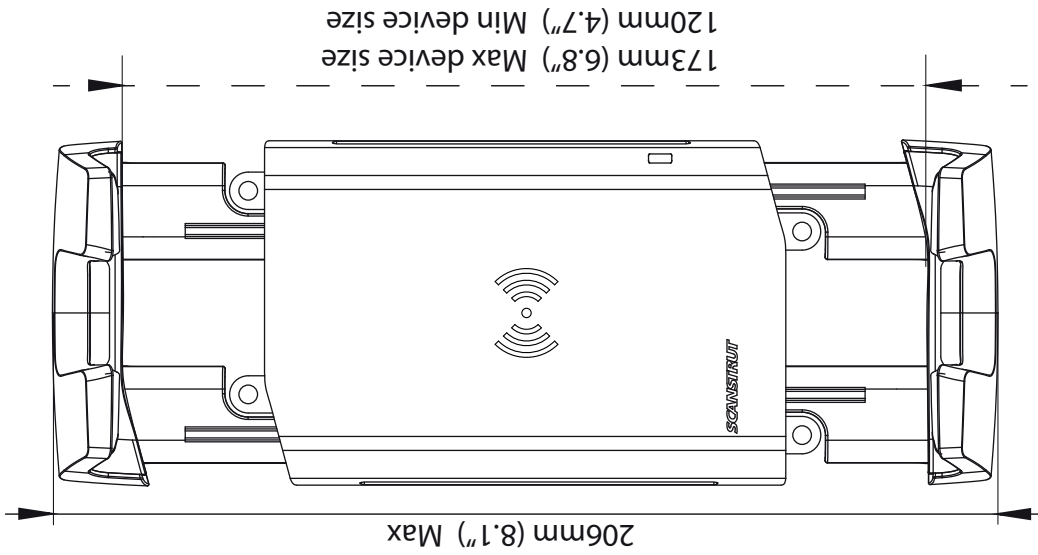
usasales@scanstrut.com

scanstrut.com

+1 860 308 1416

ROKK Wireless Active - SC-CW-04E

For help & information
 email: sales@scanstrut.com
 tel: +44 (0) 1392 531280



Electrical info:

- Input Voltage Range: 10-30V DC (12/24V system)
- Input current max: 1.5A
- Output Power: 5W (5V,1A)
- Standby Power Draw : < 0.06W

- Qi, CE, FCC, ROHS, UN ECE R10 Certified.

Waterproof Rating: IPX6

