

NEW Generation 3
 Indoor / Outdoor
 Recessed 3.5" LED Light
 2700K 85 CRI Dimmable COB LED

Elegant polished stainless, brushed nickel or white trim with frosted glass make this light the perfect choice. Three screw mounting compatible with the most popular models. Digitally dimmable design means you will not need additional circuitry to adjust to just the right output. Warm White, Warm White/Red and Warm White/Blue available. Two or Three wire configurations. Simply reverse polarity to switch between colors or hi/lo.

Designed with Lunasea's robust electronics and temperature monitoring these lights were designed for minimal interference with electronic equipment. Can be dimmed externally.

Soft 2700K warm white hi CRI COB LED light enhances the beauty of your surroundings.

**Larger glass opening
 with new reflector technology**



Drop in for the 40W halogen recessed lights

**Now IP65
 for Indoor or Outdoor Use**

MODEL #

Polished Stainless Trim

LLB-46WW-3A-SS	Warm White	Warm White 4.5W
LLB-46WR-3A-SS	Warm White / Red	Warm White 4.5W / Red 1W
LLB-46WB-3A-SS	Warm White / Blue	Warm White 4.5W / Blue 1W

Brushed Stainless Trim

LLB-46WW-3A-BN	Warm White	Warm White 4.5W
LLB-46WR-3A-BN	Warm White / Red	Warm White 4.5 W / Red 1W
LLB-46WB-3A-BN	Warm White / Blue	Warm White 4.5W / Blue 1W

White Stainless Trim

LLB-46WW-3A-WH	Warm White	Warm White 4.5W
LLB-46WR-3A-WH	Warm White / Red	Warm White 4.5W / Red 1W
LLB-46WB-3A-WH	Warm White / Blue	Warm White 4.5W / Blue 1W

SPECIFICATIONS

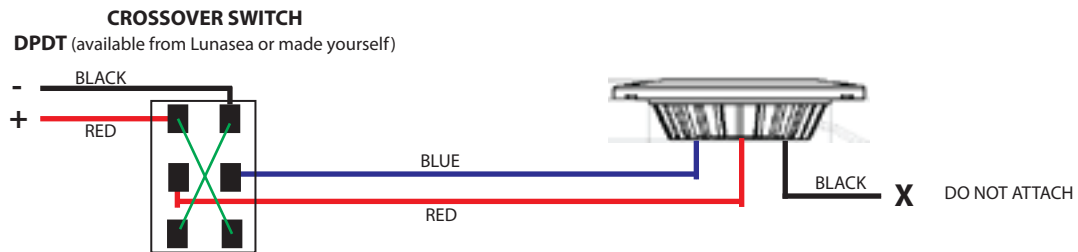
Voltage:	10-40VDC
Power:	4.5W White / 1W Red or Blue
Output:	375 Lumen White
Color:	2700, 85 CRI
IP Rating:	65
Hole Depth:	22mm

Your new White LED LLB-46WW-3A-xx light has the capability of being remotely dimmed by the following methods:

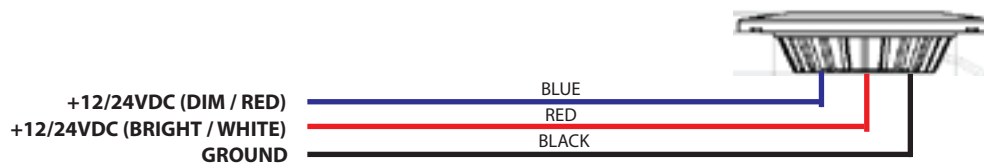
Use any digital dimming switch or EPLEX™ controller you choose



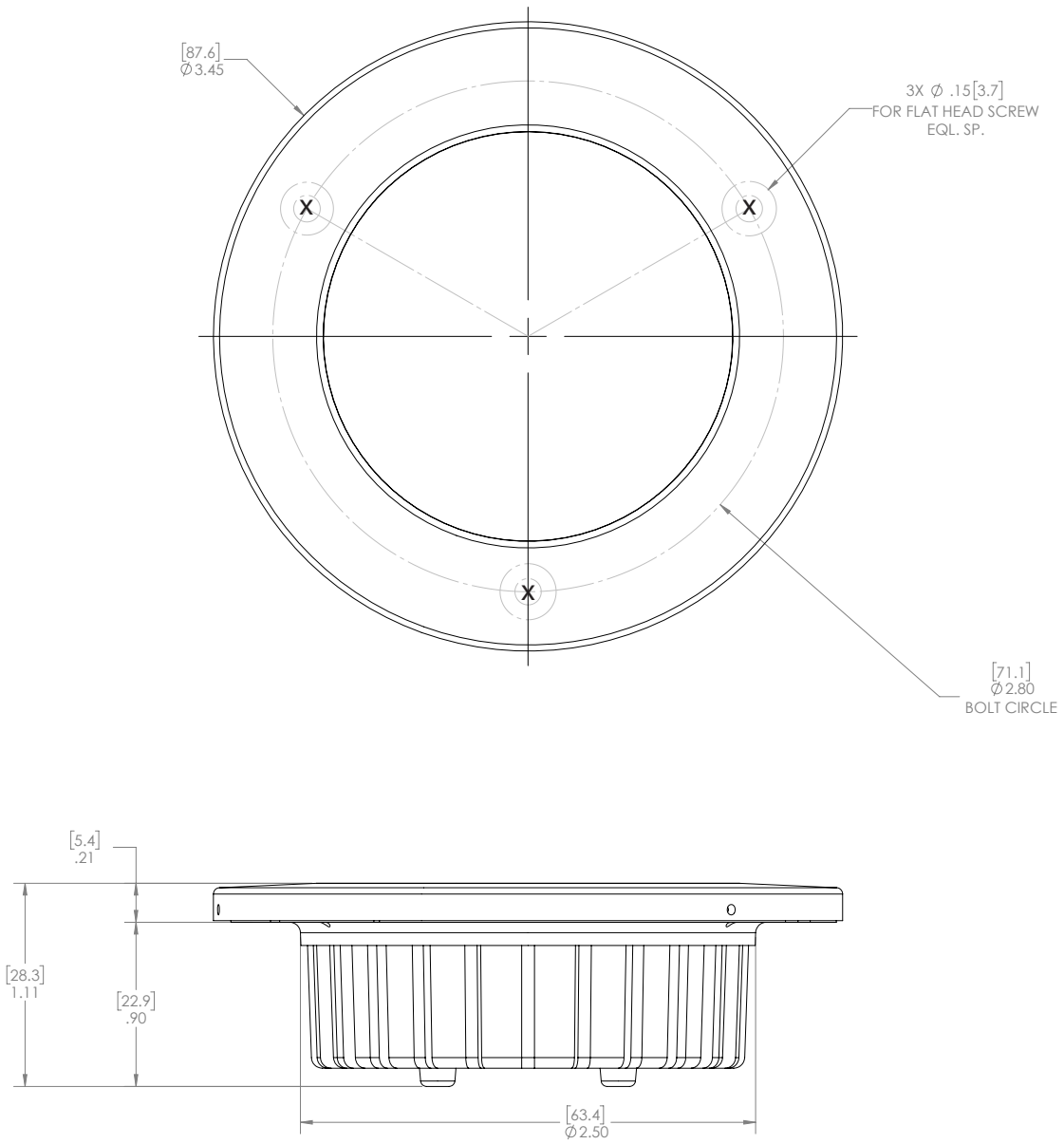
Reversing the polarity (2 wire setup) - HI/LO capability or White/Red(Blue)



Using three wire setup apply power to either of the + leads - HI/LO or White/Red(Blue) capability



DIMENSIONS:



— 3 Inches (76mm) —

When printing make sure to check no scaling.
Use above to make sure print matches 3 Inches