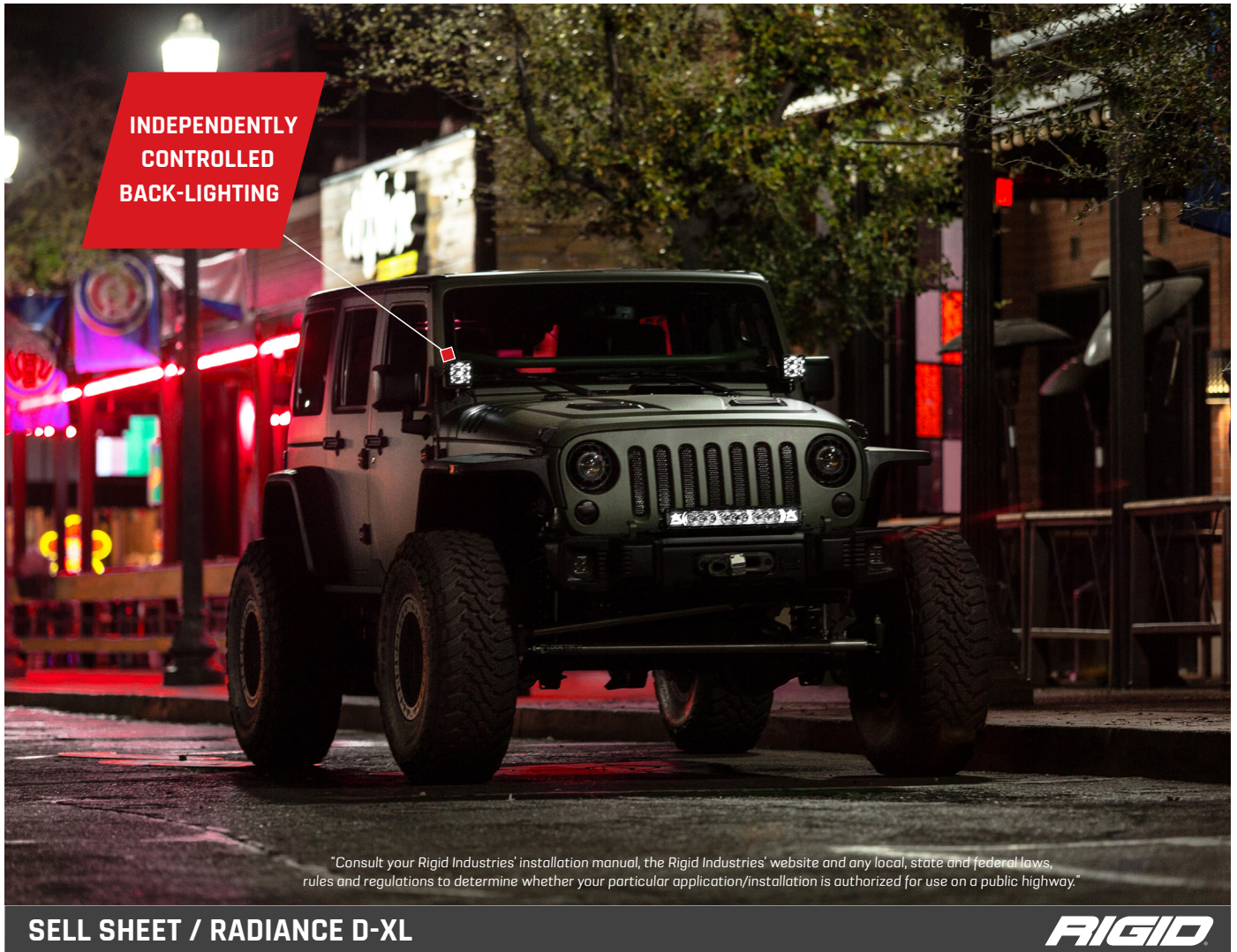




RADIANCE POD XL™

The versatility of the RIGID Radiance lighting family just got even better with the introduction of the new Radiance Pod XL. Boasting the same quality LED technology and Broad Spot Optics as the Radiance Light Bars, the Radiance Pod XL packs plenty of output in a compact package. Similar in design and shape to the popular D-XL PRO, the Radiance Pod XL measures 4" x 4" and includes a blacked-out circuit board for a subtle, more refined look. The Broad Spot optics combine the attributes of a spot and flood beam pattern that works well for a wide variety of lighting needs. Inside, the Radiance Pod XL is feature-packed, with a black exposed printed circuit board, forward projecting optics that optimize the LED light output and back-lighting available in white, amber, blue or red. The RIGID Radiance Pod XL includes a Multi-Trigger Harness that includes separate backlit rocker switches so that the forward projecting light and the backlight can be controlled independently. Packed with features in a compact package, the Radiance Pod XL is an outstanding value.



**INDEPENDENTLY
CONTROLLED
BACK-LIGHTING**

Consult your Rigid Industries' installation manual, the Rigid Industries' website and any local, state and federal laws, rules and regulations to determine whether your particular application/installation is authorized for use on a public highway.



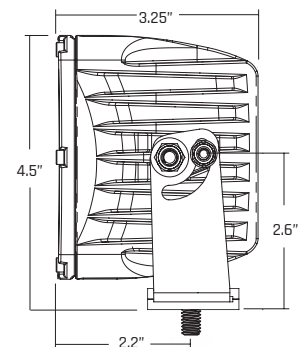
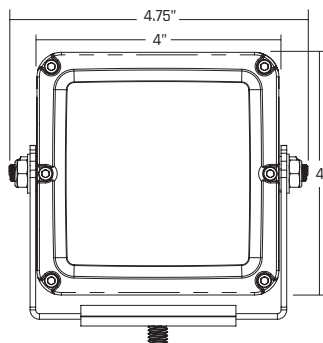
FEATURES

- 50,000+ Hour Lifespan
- 10-15 V DC
- Durable UV Polyester Powder Coat
- Pressure Equalizing Vent
- Harness (Sold Separately)
- High-Grade Aluminum Alloy Heatsink
- Integrated Thermal Management System
- Impact Resistant Polycarbonate Lens
- IP68 Compliant - Dust / Water Ingress
- Mounting Brackets Included
- Over / Under Voltage Protection
- Operating Temp -40° F ~ +145° F / -40° C ~ +60° C
- Protected Against RFI / EMI
- Patented Technology
- Reverse Polarity Protection
- RoHS Compliant
- SAE J575 Compliant - Shock / Vibration
- D-XL Series Construction & Durability
- Complete Multi-Switch Wiring Harness
- Independently Controlled Back-Lighting Available in White, Amber, Red, or Blue
- Dedicated Wire to Run Back-Lighting without Primary LEDs
- Stainless Steel Mounting Brackets
- Black Exposed Circuit Board
- Patent-Pending Technology

DIMENSIONS



SURFACE MOUNT



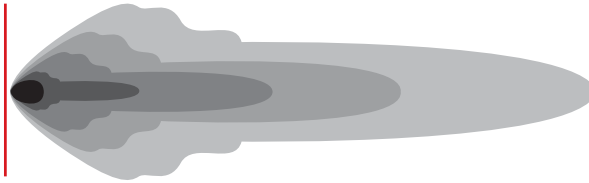
WHAT BEAM
PATTERN WILL
SUIT MY NEEDS
THE BEST?



BEAM PATTERNS

Our custom designed graphs are intended to illustrate the beam patterns that our optics produce. First, consider what type of application the light is needed for and then choose what beam pattern best suits your needs. Each beam pattern varies depending on the optic or optic combination you choose. Once you know which beam pattern best suits your needs, refer to the specifications table (A, B, C) to determine how much LUX output you need and which product will best suit your application.

BROAD SPOT OPTIC



HOW MUCH
OUTPUT DO
I NEED?

A = LUX AT 10 METERS
B = BEAM DISTANCE (m) WITH 1 LUX
C = BEAM DISTANCE (m) WITH .25 LUX

SPECIFICATIONS



POD XL	WT. (LBS.)	WATTS	AMP DRAW @ 14V	LEDs	*RAW LUMENS	A	B	C	**PEAK BEAM INTENSITY(cd)
		2.3	50	3.64	4	2992	500	225	450

* Raw Lumens is based on LED manufacturer specifications.**Distance with .25 lux and Peak Beam Intensity are tested using ANSI/NEMA FL standards.

PART NUMBERS	WHITE	BLUE	RED	AMBER
		32201	32202	32203



LIGHTS COME WITH

- Mounting Hardware
- Stainless Steel, U-Shape Brackets
- Complete Multi-Switch Wiring Harness