

# UMC1RTL

## App Ready Marine Commander & Module



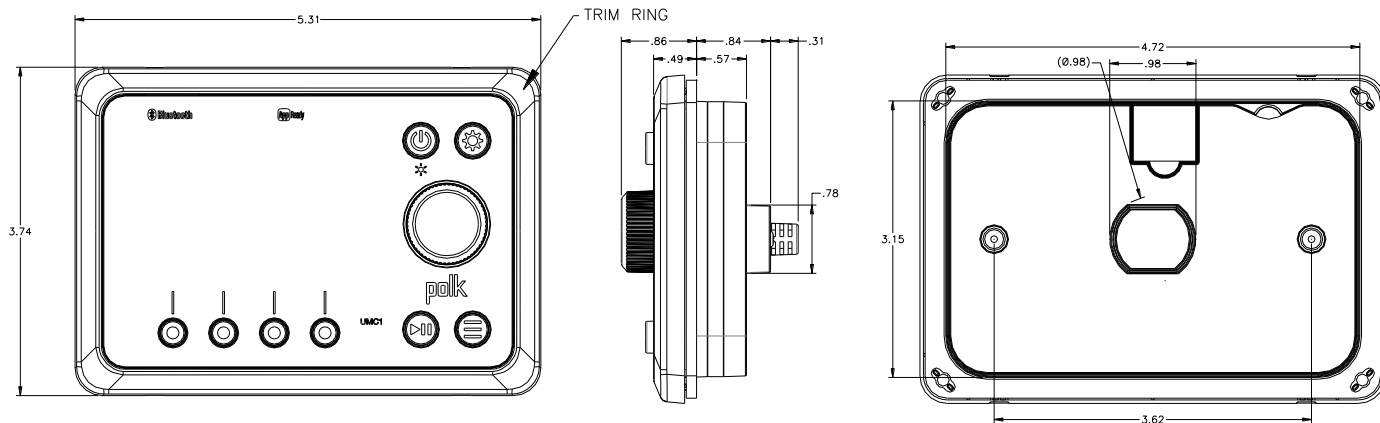
App Ready.



- 2.8" color TFT display viewable in direct sunlight
- 200 watts maximum power handling (50W x 4)
- Two-piece modular design (Commander and hideaway module)
- Glass lens to protect display from cleaning products Waterproof commander and module (IPX5)
- App Ready - All main functions can be controlled by any Bluetooth-enabled device with the ASA Audio app
- Bluetooth streaming audio (A2Dp) and controls (AVRCP)
- EQ presets
- USB input for connection of digital media devices
- Seven-channel NOAA weatherband
- 18FM/12AM station presets Auxiliary line-level audio input (RCA)

- Four-channel line-level audio output (RCA, front + rear)
- Two-wire power system with non-volatile memory
- Remote control ready (PRC100BC, PRC200BC)
- Low battery warning
- Low-profile flush-mount design and detachable trim ring for front mounting
- Rotary encoder for volume control and menu-driven user interface
- Conformal coated PCB
- UV resistant (ASTM D4329)
- Corrosion resistant (ASTM D1141)
- Dimensions: Module: 7.4" W x 7.4" L x 2.2" D  
Controller: 5.4" W x 3.75" H x 1.7" D

### Commander



<b>Power System</b>	<b>12 VDC</b>	
<b>Operating Voltage Range</b>	<b>10V to 16V</b>	
<b>Operating Temperature Range</b>	<b>-14°F to 149°F</b>	<b>-20°C to 65°C</b>
<b>Storage Temperature Range</b>	<b>-22°F to 158°F</b>	<b>-30°C to 70°C</b>
<b>Maximum Relative Humidity</b>	<b>100%</b>	
<b>Overall Package Dimensions</b>	<b>5.4" x 3.75" x 1.7" Commander</b>	
<b>Product Weight (unpacked)</b>	<b>0.5lbs.</b>	
<b>Display Specifications</b>		
<b>Resolution</b>	<b>(2.8" 4:3) 240 x 320</b>	
<b>View Angles</b>	<b>Top</b>	<b>80°</b>
	<b>Bottom</b>	<b>80°</b>
	<b>Left</b>	<b>80°</b>
	<b>Right</b>	<b>80°</b>
<b>Brightness</b>	<b>800 cd/m<sup>2</sup></b>	

### Module

