

s80HD WorldView

83cm Maritime Antenna for HD DIRECTV Reception
 Watch All 3 Primary DIRECTV Satellites at Once



Simultaneous Reception of Ka and Ku-Band

The s80HD antenna system with its triple feed horn provides you with simultaneous reception of two DIRECTV Ka-Band satellites and one DIRECTV Ku-Band satellite located at 99°W, 101°W and 103°W. This allows viewers to watch all DIRECTV channels without manually changing the satellites, as easy as you do on shore.

Intellian WorldView™ Trio LNB

Intellian's WorldView™ Trio LNB technology enables reception of all Ku-Band satellites around the globe. The WorldView™ Trio LNB can receive on all linear polarizations as well as left and right hand circular polarizations. The LNB module is programmed to select each satellite's L.O. automatically, which allows boaters to enjoy any satellite TV services by simply selecting a target satellite and connecting a satellite receiver.

3-Axis Stabilized System

The s80HD antenna is stabilized in three axes; azimuth, elevation and cross-level, providing faster, more reliable satellite

tracking. The 3-axis stabilization is especially beneficial in regions near the equator and for vessels that may find themselves out in heavy seas.

Wireless connectivity & Aptus mobile

The built in Wi-Fi ACU enables connectivity with the Aptus App that allows for simple system control and monitoring, including One -Touch Satellite library and firmware updates.

DVB-S2 Signal Identification

Intellian s80HD is fully compatible with DVB-S2 signals. It detects, identifies, and tracks satellite transmitting the DVB-S2 signal format. A capable satellite TV receiver and subscription is required.

Multi-Switch Module Included

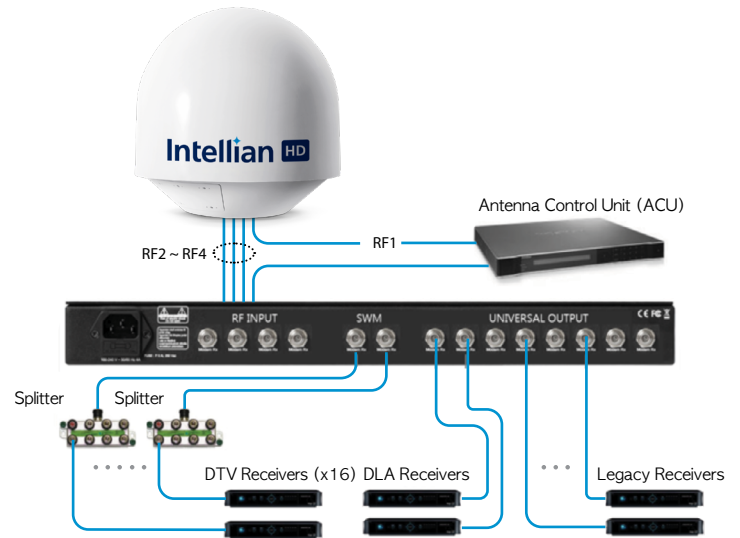
The Intellian s80HD comes with an Intellian 19" rack mount Multi-Switch Module that allows you to seamlessly connect various types of satellite receivers. The built-in SWM capability simplifies installation by supporting single wire installation to multiple TV receivers, eliminating the need for additional hardware and cable runs.environment or high-speed cruise.

s80HD WorldView

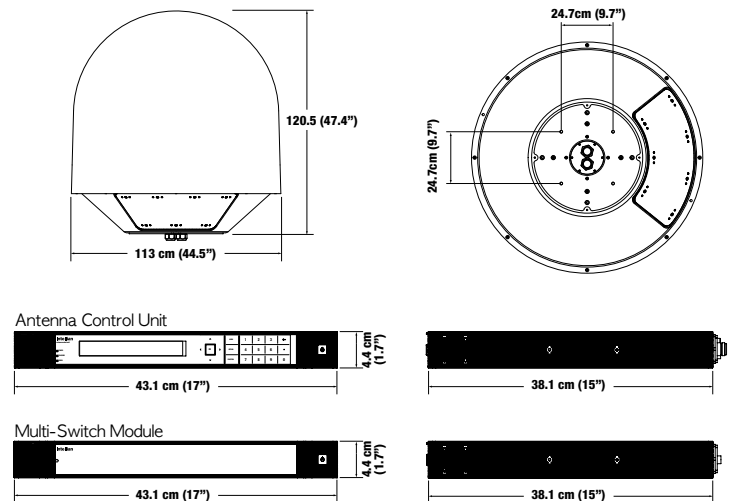
Technical Specifications

Physical	
Radome Height	120.5 cm / 47.4"
Radome Diameter	113 cm / 44.5"
Reflector Diameter	83 cm / 32.7"
Weight	86.2 kg / 190 lbs
Environmental	
Operating Temp. Range	-25°C to +55°C / -13°F to +131°F
Storage Temp. Range	-40°C to +80°C / -40°F to +176°F
Water Ingress	IPX6
Approvals	CE / FCC
Warranty	3 year parts and 2 year labor
Performance	
Platform	3-axis : Azimuth, Elevation, Cross-Level / Auto Skew
Reception Frequency	Ku-band : 10.7~12.75 GHz Ka-band : 18.3~18.8 / 19.7~20.2 GHz
Polarization	Ku-band : Linear/Circular Switchable Ka-band : Circular
Minimum EIRP	Ku-band : 46 dBW / Ka-band : 45 dBW
Azimuth Range	680°
Elevation Range	-15° to +110°
Cross Level Range	±32°
Ship's Motion	Roll ±25°, Pitch ±15°, Yaw ±8° @ 6 sec period°
Turning Rate	Up to 12°/sec and 5°/sec ²
Stabilization Accuracy	0.2° max in presence of specified ship motions
LNB LO Frequencies	
WorldView™ Trio LNB (Ka and programmable WorldView LNB)	
Ku-band	9.75/10.6 GHz (Universal mode), 10.5, 10.6, 10.678, 10.7, 10.75, 10.8, 11.0, 11.05, 11.2, 11.25 and 11.3 GHz (Single mode)
Ka-band	18.05 GHz
Antenna Control Unit	
Dimensions (WxDxH)	43.1 cm x 38.1 cm x 4.4 cm / 17" x 15" x 1.7"
Weight	3.5 kg / 7.7 lbs
Display	2 Line 40 Character Graphic VFD Module
GPS Out	NMEA In / NMEA Out
Power Requirement	100~240 V AC, 50~60 Hz, 2A
Power Consumption	Typ.50 W, Max. 100 W

System Diagram



System Dimensions



Global HQ
Innovation Center
 Intellian Technologies, Inc.
 T +82 31 379 1000
 F +82 31 377 6185

APAC
Seoul
 Intellian Technologies, Inc.
 T +82 2 511 2244
 F +82 2 511 2235

Americas
Irvine
 Intellian Technologies USA, Inc.
 T +1 949 727 4498
 F +1 949 271 4183
 Toll Free +1 888-201-9223

EMEA
Rotterdam
 Intellian B.V.
 T +31 1 0820 8655
 F +31 1 0820 8656