

KMVH®



TracVision® HD11

Delivering the finest TV entertainment,
in high definition, wherever you cruise





Image courtesy of Sunseeker

TracVision HD11

Global Satellite TV System with Full HD Support

Your yacht is designed to take you to exotic ports around the globe, and the TracVision HD11, designed for yachts 80+ ft., will effortlessly connect you to your favorite TV services wherever you travel! Equipped with KVH's digitally programmable multi-beam Universal World LNB, it is compatible with nearly every satellite TV service worldwide and eliminates the need to swap LNBs when you reach a new region. To make operation even more simple, the system comes pre-loaded with an easily updated and expanded library of more than 100 satellites around the globe.

Highlights & Features

- ▶ KVH's revolutionary TriAD™ technology receives broadcasts from three separate DIRECTV® satellites so every TV on board can be tuned to any channel on any device at any time. No locking up, rebooting, or lengthy satellite searches because the advanced TracVision is constantly receiving program data.
- ▶ The four-axis pedestal design features fully stabilized skew adjustment and a robotic direct drive that is stronger and tracks better than competing products. It enables the use of the largest possible antenna within the smallest possible radome while covering the sky from the horizon to directly overhead at the equator.
- ▶ Integrated GPS and NMEA compatibility ensures the fastest satellite acquisition.
- ▶ The integrated GSM Remote Support Module allows KVH technicians to perform remote diagnostics and service to help you stay connected to your favorite entertainment, even when you're not connected to the shore.
- ▶ The optional KVH SmartSwitch enables switching between banks of receivers from different regions with just a button push! For vessels with the need for dual-dome installations, SmartSwitch automatically switches to the antenna with the best signal.

Global Satellite Coverage

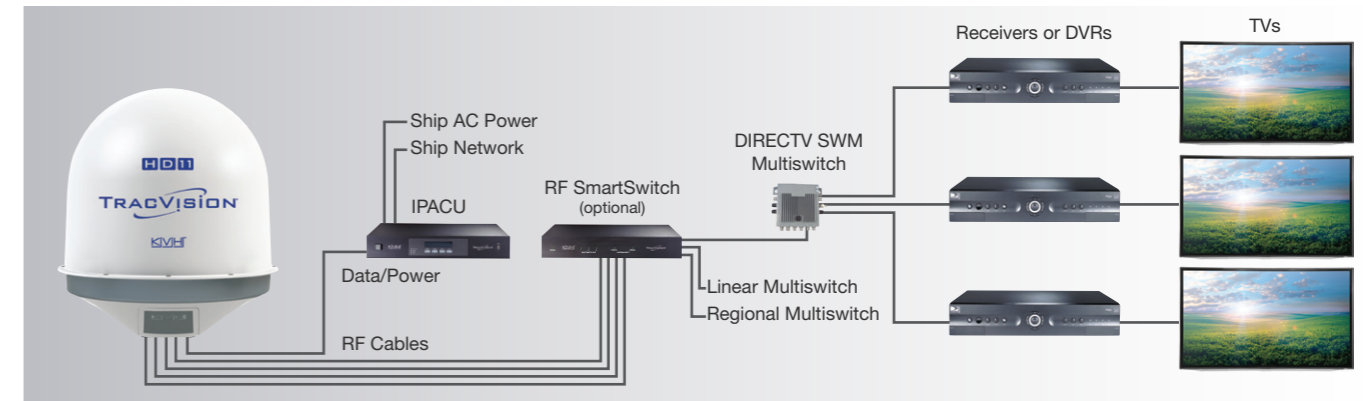
Visit kvh.com/tvfootprints for details

Technical Specifications

Satellite Coverage Regions¹	Worldwide ²
Boat/Yacht Size Compatibility	80+ ft. (24 m)
Antenna Dish Diameter	1 m (41.5")
Antenna Unit: Diameter x Height Weight	1.2 m x 1.4 m (48.8" x 57.3") 90.7 kg (200 lbs)
IPACU Belowdecks Unit: Width x Depth x Height Weight	42.55 cm (16.75") x 30.99 cm (12.2") x 6.68 cm (2.63") 3.17 kg (7 lbs)
Minimum EIRP³	42 dBW (Ku-band) 45 dBW (Ka-band)
Skew Control	Stabilized/Automatic
LNB Options (polarization/output)	Digitally programmable Universal World Ka/Ku/Ka-band Linear/Circular Quad
Elevation/Azimuth Range	-24° to 119°/720°
System Power	100-250 VAC 250 watts nominal 300 watts peak
Antenna Operating Temperature	-25°C to +55°C (-13°F to +131°F)
Antenna Survival Temperature	-35°C to +70°C (-31°F to +158°F)
Warranty	2-year parts, 1-year labor ⁴
KVH Part Number	01-0343-01
MSRP (\$USD)	\$29,995

¹Visit www.kvh.com/tvfootprints for details. ²Requires region-specific receiver and service. ³Please note that all circular Ka/Ku/Ka-band Minimum EIRP values are average approximate figures that may vary according to transponder frequency and location. ⁴Unless subject to in-country regulations.

System Overview*



*These system overviews are intended for reference only. For complete wiring instructions, refer to the user's manual.

Easy to Use

Enjoying TV entertainment at sea is seamless, fun, and hassle-free with the TracVision HD11. System setup and operation is as simple as opening a web browser. Download the iPad® and iPhone® apps to easily switch satellites, access the satellite library, check signal strength, and download and install antenna software and satellite updates all from the convenience of your mobile device.



Bring the Best Onboard with KVH

The results speak for themselves. In any harbor, anywhere around the world, you'll see KVH's distinctive white antennas with gray baseplates. With more than 200,000 mobile antennas fielded worldwide, KVH has supplied more satellite communications and TV antenna systems for mobile applications than any other manufacturer. **When you choose KVH, you choose the best!**



KVH's Award-winning Antenna Systems Recognized by NMEA

For 21 consecutive years, KVH's TracVision systems have won the National Marine Electronics Association (NMEA) Product Excellence Award. NMEA is an industry group made up of more than 600 companies, including manufacturers, dealers, and boat builders – in other words, the people who really know marine electronics.



World-class Support

KVH customers enjoy a 24/7/365 online support and troubleshooting system; a responsive, international KVH service and support team; a broad-based network of authorized dealers/distributors; and the KVH Certified Support Network (CSN). An ISO 9001-certified organization, KVH meets the highest international standards for quality.

TracVision and TracPhone® – the Perfect Match

KVH's TracPhone HTS-series brings high-speed Internet onboard in the best way possible – with sophisticated technology that's simple to use. Models are offered in sizes that match all HD-series products for a beautiful dual antenna installation that delivers broadband connections as fast as 20 Mbps/3 Mbps (down/up), the fastest unlimited use data channel available, and crystal-clear voice! Plus, you can extend your TracVision warranty up to five years when combined with TracPhone and KVH OneCare™.

kvh.com/hts



Dealer/Distributor



KVH Industries A/S
EMEA Headquarters
Kokkedal, Denmark
Tel: +45.45.160.180 Fax: +45.45.160.181
Email: info@emea.kvh.com

KVH Industries, Inc.
World Headquarters
Middletown, RI U.S.A.
Tel: +1.401.847.3327 Fax: +1.401.849.0045
Email: info@kvh.com

KVH Industries Pte Ltd.
Asia-Pacific Headquarters
Singapore
Tel: +65.6513.0290 Fax: +65.6472.3469
Email: info@apac.kvh.com