

APOLLO
SERIES

APOLLO ERX400



MS-ERX400

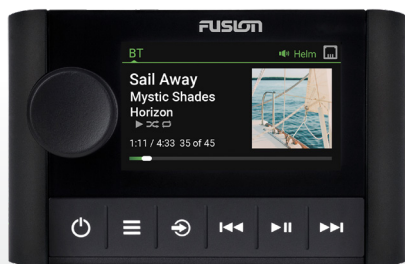
APOLLO SERIES WIRED REMOTE
WITH ETHERNET CONNECTIVITY

MS-ERX400

APOLLO SERIES WIRED REMOTE
WITH ETHERNET CONNECTIVITY

FUSION[®]
A Garmin Brand

APOLLO ERX400



PRODUCT OVERVIEW

Take control of your onboard entertainment with style! Introducing the new Apollo ERX400 wired remote with ethernet connectivity, this wired remote allows you to add full control of your audio entertainment to any zone on your boat. The Apollo ERX400 features modern design aesthetics and **our most intuitive user experience yet** in an ultra compact form factor. Installation is quick and easy with a shallow mounting depth and the need to only connect a single-powered Apollo ERX400 network/power cable to your compatible Fusion stereo. With the Apollo ERX400, controlling your onboard audio entertainment has never looked this good.

OPTICALLY BONDED 2.7" COLOR LCD DISPLAY WITH BLACK FRONT FACE

The Apollo ERX400 features the same 2.7" brilliant, optically bonded, full-color LCD display from the Apollo RA670 and SRX400 marine stereos. Color album art and metadata display information of the current track playing. The display is integrated into a black glass front face which allows the Apollo ERX400 to blend seamlessly with the aesthetics of your boat for a premium and elegant installation.

OUR MOST INTUITIVE USER EXPERIENCE YET

The Apollo ERX400 introduces a new intuitive user experience which allows for easy navigation and control of your entire boat's Apollo Series stereo network, making control of your audio and sources in any zone a seamless experience. Enjoy synchronized audio playback of one audio source across all Apollo Series stereos connected to the same network (Grouping), with individual and multiple (ALL) volume control for each stereo. You will also be able to turn on or off any Apollo Series stereo or remote connected on the network from your Apollo ERX400 (Power Options).

¹ Wi-Fi is a registered trademark of the Wi-Fi Alliance.

VERSATILE MOUNTING OPTIONS

The ultra shallow mounting depth of just 49 mm [1.93"] (including cable), makes the Apollo ERX400 ideal for installation where mounting depth is limited, for example, in thin wall cavities. The innovative design gives you the option of either mounting the wired remote with a conventional flush finish or integrating it into the helm with a premium flat finish.

TRUE-MARINE™ PHILOSOPHY

Fusion's True-Marine design philosophy stems from our experience confronting the harsh marine environment.

By designing and engineering from the ground up specifically for real-world boating applications, our customers are assured that the equipment they fit into their boat will deliver quality entertainment season after season — the Apollo ERX400 comes with a 3-year warranty.

SOFTWARE UPDATE OPTIONS

Over-the-air software updates available via the Fusion-Link™ app when connected to a wireless network router or integrated into a Wi-Fi^{®1} enabled Apollo Series stereo network. Alternatively, you can update the Apollo ERX400 via a USB when connected to a USB-compatible Apollo Series stereo.

IPX6 & IPX7 WEATHER RESISTANCE RATING

The Apollo ERX400 meets international IPX6 and IPX7 rating standards from the front and back, providing confidence that your product will last season after season in the harsh marine outdoor environment.

CONNECTIVITY OPTIONS

Use the Ethernet Cable Connector (010-12922-01) to extend your Apollo ERX400's connection to your marine stereo using a RJ45 Ethernet cable or, alternatively, use the Garmin Network Cable Connector (010-12531-00) to extend the connection using a Garmin Network Cable (Cables and connectors each sold separately).

PRODUCT IMAGES



MS-ERX400

APOLLO SERIES WIRED REMOTE
WITH ETHERNET CONNECTIVITY



KEY FEATURES

The **Apollo ERX400**, with its innovative technology and design, offers a new intuitive audio control experience, featuring:

KEY FEATURE



The color LCD is optically bonded to improve durability and protection against condensation and fogging, and is optimized for daylight viewing. Enjoy enhanced aesthetics with color album art and metadata to display information of the current track playing.

KEY FEATURE



The Apollo ERX400 introduces a new intuitive user experience which allows for seamless navigation and control of your entire boat's Apollo Series stereo network, for quick and easy adjustment of your audio and sources in any zone.

KEY FEATURE



Fusion's True-Marine design philosophy stems from our experience confronting the harsh marine environment. By designing and engineering from the ground up specifically for real-world boating applications, our customers are assured that the equipment they fit into their boat will deliver quality entertainment season after season.



When connected to a wireless network router or integrated into a Wi-Fi^{®1} enabled Apollo Series stereo network, enjoy over-the-air software updates via the Fusion-Link™ app to keep your remote always up-to-date with the latest features and functionalities.



Multiple mounting options are available for the Apollo ERX400 wired remote. You can install it with a conventional flush mount finish or integrate it into a glass helm with a flat surface finish. Alternatively, it can be surface-mounted with an optional accessory spacer.



Enjoy confidence that your Apollo ERX400 will last season after season in the harsh marine and outdoor environment. Meeting both IPX6 and IPX7 international standards from the front and back for water resistance when installed correctly, the Apollo ERX400 is built to last on board.



The Apollo ERX400 connects to your compatible Fusion stereo and is powered using only a single ERX400 network/power cable, allowing for easy installation (8 meter cable is included in the box).



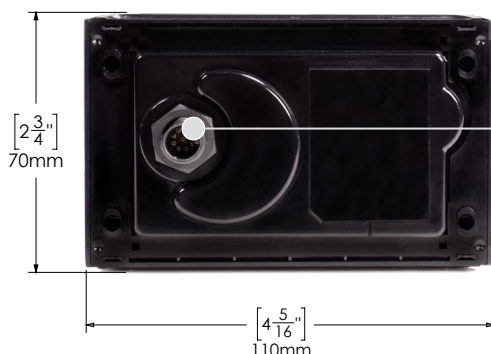
The compact design of the Apollo ERX400 increases installation options and versatility, making it easier to add premium audio control on board.

¹ Wi-Fi is a registered trademark of the Wi-Fi Alliance.

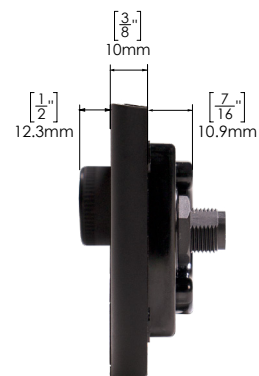
APOLLO ERX400 PRICING

Product	Description	MRP (USD)	MRP (CAD)
MS-ERX400	Apollo Series wired remote with Ethernet connectivity	\$229.99	\$339.99

REAR VIEW



SIDE VIEW



MS-ERX400

APOLLO SERIES WIRED REMOTE
WITH ETHERNET CONNECTIVITY



PRODUCT COMPATIBILITY

STEREOS

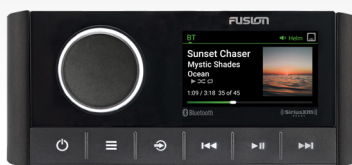


APOLLO RA770

MS-RA770 | SKU 010-01905-00

Through creative design and technological brilliance, a purpose-built marine audio entertainment system featuring many world-firsts has been created, including many innovations you are used to at home. Tap and swipe your way intuitively through your playlists with the glass touchscreen display, even with wet fingers, and enjoy high-quality music all day long with Wi-Fi[®] streaming using Apple AirPlay[®] 2 or UPnP.

¹ Wi-Fi is a registered trademark of the Wi-Fi Alliance.



APOLLO RA670

MS-RA670 | SKU 010-02138-00

Award-winning innovation re-embodied, the Apollo RA670 features Fusion's DSP technology, PartyBus™-Network* capability, over-the-air software updates*, Wi-Fi[®] audio streaming* with Apple AirPlay[®] 2*, Multi-Zone™ technology in up to 3 Zones, optical audio input, Fusion-Link™ integration, and an optically bonded 2.7" color display - the RA670 is truly a powerful extension of the Apollo Series.

* When connected to a wireless network router or integrated into a Wi-Fi enabled Apollo Series stereo network.



APOLLO WB670

MS-WB670 | SKU 010-02346-00

Designed to simplify dash space at the helm, the new Apollo WB670 hideaway system inherits key audio innovations from the Apollo RA670 re-engineered in a compact, space-saving form factor, allowing for installation in out-of-way places such as storage lockers, inside helm consoles and other hidden compartments. Key features include Fusion's DSP technology, PartyBus™-Network* capability, Fusion-Link™ integration and more.

* When connected to a wireless network router or integrated into a Wi-Fi enabled Apollo Series stereo network.

ACCESSORIES

	DESCRIPTION	SKU	MRP (USD/CAD)	IMAGE
SURFACE MOUNT KIT	Surface mount your Apollo ERX400 wired remote onto a flat surface using the optional accessory spacer.	010-12922-02	\$5.99 / \$8.99	
FLAT MOUNT KIT	Use the MS-ERX400 Front Flat Mount Kit to install your Apollo Series wired remote into the helm with a premium flat finish.	010-12830-00	\$14.99 / \$24.99	
NETWORK/POWER CABLE	8m ERX400 network/power cable to connect and power the Apollo ERX400 to your compatible Fusion Apollo Series stereo, Ethernet switch or router.	010-12922-00	\$59.99 / \$89.99	
ETHERNET CABLE CONNECTOR	The connector allows you to extend the standard network / power cable supplied with the ERX400 via an Ethernet cable.	010-12922-01	\$12.99 / \$19.99	
GARMIN NETWORK CABLE CONNECTOR	The connector allows you to extend the standard network / power cable supplied with the ERX400 via a Garmin network cable.	010-12531-00	\$19.99 / \$28.99	

LEGAL INFORMATION

©2019 Garmin Ltd. or its subsidiaries. All rights reserved. Garmin International, Inc., 1200 East 151st Street, Olathe, Kansas, 66062, U.S.A. Garmin (Europe) Ltd., Liberty House, Hounsdown Business Park, Southampton, Hampshire, SO40 9LR, U.K. Garmin (Asia) Corporation, No.68, Zhongshu 2nd Rd., Xizhi Dist., New Taipei City 221, Taiwan (R.O.C.). Garmin, the Garmin logo, the Garmin delta and Fusion are trademarks of Garmin Ltd. or its subsidiaries and are registered in one or more countries, including the U.S. Connect IQ, FUSION-Link, True-Marine and The Marine Entertainment Standard are trademarks of Garmin Ltd. or its subsidiaries. Specifications and design are subject to change without notice. Garmin Ltd. or its subsidiaries offer a limited Three Year Warranty on this product. Visit www.fusionentertainment.com for full warranty terms and conditions. All other trademarks and service marks mentioned herein, including company names, product names, service names and logos, are the property of their respective owners and their use herein does not indicate an affiliation with, association with, or endorsement of or by Garmin Ltd.

MS-ERX400

APOLLO SERIES WIRED REMOTE
WITH ETHERNET CONNECTIVITY

FUSION[®]
A Garmin Brand

TECHNICAL SPECIFICATIONS

Display	Display Size	2.7"
	LCD Color Display	Optically bonded color LCD with dimmable backlight
General	Fusion-Link Control (Wired)	Yes - via Ethernet
	Water Resistance (IP rating)	IPX6 and IPX7 from the front and back when installed correctly
Languages	Multi-language User Interface	Bulgarian, Chinese (Simplified), Chinese (Traditional), Croatian, Czech, Danish, Dutch, English, Finnish, French, German, Greek, Italian, Japanese, Korean, Norwegian, Polish, Portuguese (BR), Portuguese (PT), Slovenian, Spanish, Swedish, Thai, Turkish
Connections	Ethernet	One (1) power over Ethernet connector
	Operating Voltage	+10.8V - 32V DC (able to be powered from a 12V or 24V battery)
Updates	Software Updates	Over-the-air software updates available via the Fusion-Link™ app when connected to a wireless network router or integrated into a Wi-Fi enabled Apollo Series stereo network. Alternatively, you can update the Apollo ERX400 via a USB when connected to a USB-compatible Apollo Series stereo.
Compatibility	Supported Stereo Units	Apollo RA770, Apollo RA670, Apollo WB670, Apollo SRX400

MOUNTING OPTIONS



Flush Mount



Flat Mount



Flat Mount - Alternative
(Accessory: 010-12830-00)



Flush Mount with spacer
(Accessory: 010-12922-02)

GIFT BOX DIMENSIONS

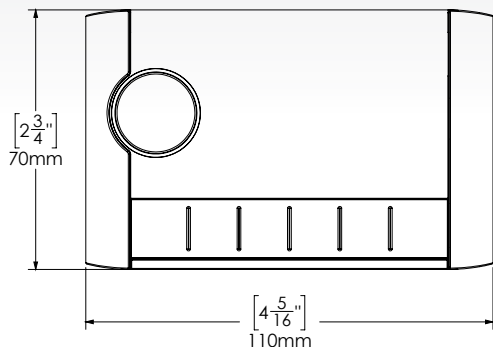


(W) 152 mm [6"]
(H) 173 mm [6-4/5"]
(D) 152 mm [6"]

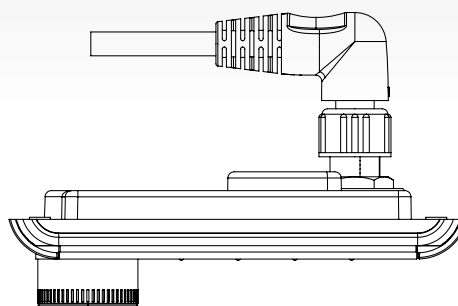
PRODUCT CODES

FUSION CODE	GARMIN PN	EAN-13 BARCODE
MS-ERX400	010-02244-00	0753759225919

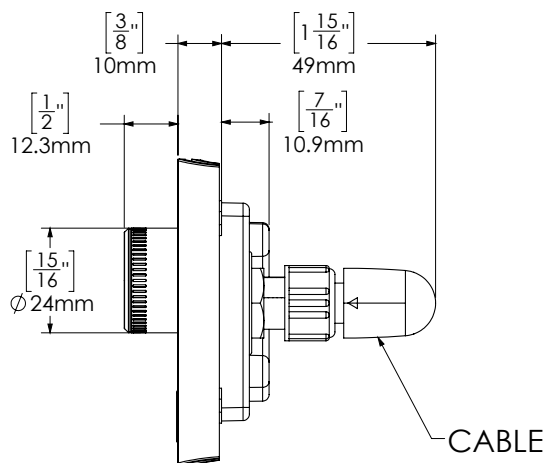
TECHNICAL DRAWINGS



Front view



Top view



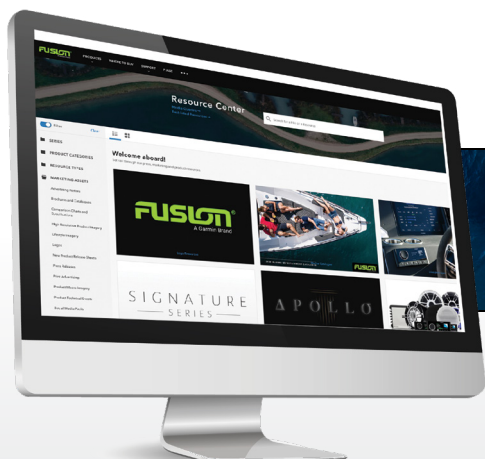
Side view

MARKETING RESOURCES

Visit

FUSIONENTERTAINMENT.COM/RESOURCES

Visit the **Resource Center** and get the latest articles, marketing assets, industry news and more.



- Logos
- Product images
- Merchandising

- Line drawings
- Web banners
- Posters

- Brochures
- Catalogs
- NPRs