

Application:

AV2458P4 and AV2458P8 are dual-band omni-directional antennas for WLAN applications. The antenna is available in two lengths, 4 feet and 8 feet. The radiating element is located high in the whip to ensure it is clear of obstacles. It is a high quality antenna with a durable construction and a beautiful finish for installation on all kind of vessels.

Electrical specifications:

Frequency range	2.4 - 2.5 GHz 4.9 - 5.8 GHz	
VSWR	1.7 nominal (2.2 maximum)	
Nominal impedance	50 ohm	
Power rating	5 W	
Gain	2.4 - 2.5 GHz	3 dBi nominal
	4.9 - 5.8 GHz	1 dBi nominal
Polarization	Vertical	
Connector	N female	

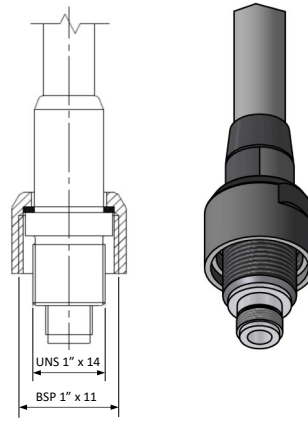
Mechanical specifications:

Design	Dipole design. Radiating elements completely enclosed in polyurethane foam within a fiberglass tube.
Height	AV2458P4 - 1.25 m (4 ft) AV2458P8 - 2.4 m (8 ft)
Weight	AV2458P4 - 0.6 kg AV2458P8 - 0.9 kg
Wind rating	55 m/s = 125 mph
Finish	Polyurethane lacquer, white
Temperature range	-40°C, +50°C;+ -28 °F, +122°F

Mounting

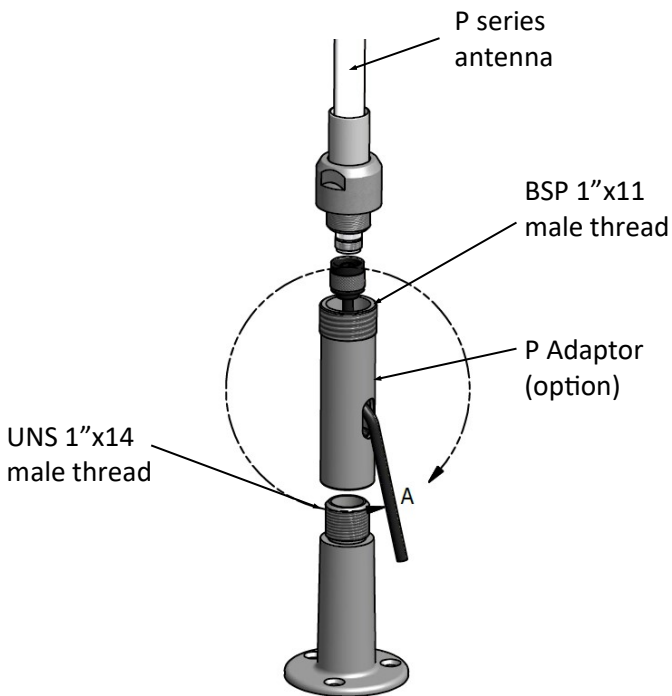
The AV2458P4 and AV2458P8 antennas are fitted with a UNS 1" x 14 male mounting thread and BSP 1" x 11 nut.

The antenna can be used with all standard mounting accessories.

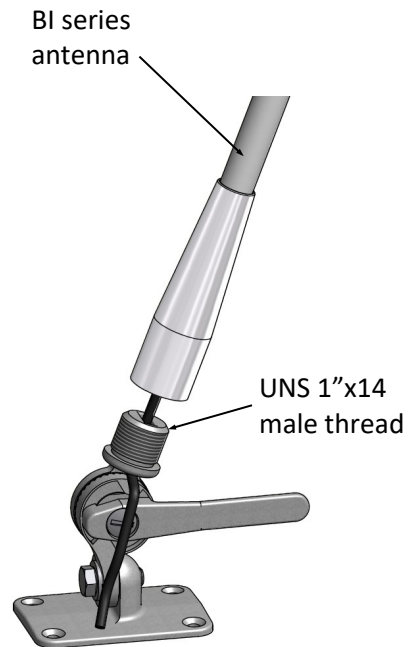


Mounting Accessories

Comrod has a range of mounting brackets and adaptors for P series antennas. Please visit Comrod website www.comrod.com for more details or email sales@comrod.com



Straight mount bracket
(option)



4-Way Bracket
(option)