

 ICOM

IC-M510

VHF MARINE TRANSCEIVER

Command & Control Using Your Smart Device



Class-D DSC VHF Marine Radio with WLAN Function

Radio Control & Intercom via Your Smart Device

Use the RS-M500 app (for iOS™/Android™) to remotely control the IC-M510 through WLAN. Up to three smart devices can be used as a wireless microphone or remote controller in substitute for the COMMANDMIC™. Intercom function between your smart device and the radio is also available.



Smart device (RS-M500)



WLAN

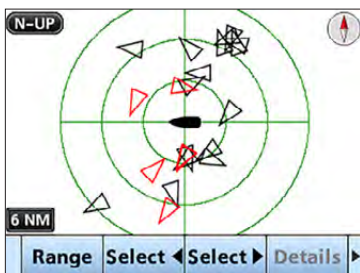


IC-M510



Smart device

Integrated AIS Receiver*

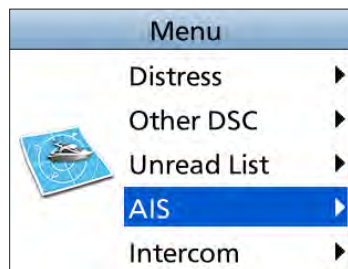


AIS plotter screen

With its integrated AIS receiver* or external NMEA sentence (third party AIS receiver, transponder), the IC-M510 can show real-time AIS vessel traffic information on the display. You can directly make an individual DSC call to selected AIS targets from the AIS screen.

* AIS receiver is not included depending on the transceiver version.

Wide Viewing Angle Color TFT LCD



Menu screen

The color TFT LCD provides nearly a 180-degree viewing angle. The wide display has high-resolution characters and function icons. The night mode screen ensures good readability in low light conditions.

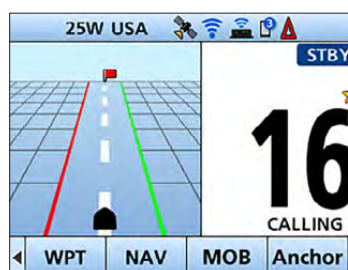
New Sleek Design



Panel mount example

The IC-M510 is slim (depth: 53.6 mm; 2.1 in) and easy to install in your boat. It's all-new sleek design is suitable for either panel or trunion mounting.

Simplified Navigation Function



Navigation screen

The Navigation function guides you to a specified waypoint or AIS target. You can assign up to 100 destinations as waypoints.



VHF MARINE TRANSCEIVER **IC-M510**

Night Mode

Optional COMMANDMIC™ **HM-195GB**

Provides Clear, Loud Audio

The IC-M510's internal speaker enhances the received audio. The waterproof speaker provides superior sound quality with a wide frequency range for powerful, clear audio.

Interface BOX for NMEA 2000™ and Hailer



CT-M500

The optional CT-M500 wireless interface box provides NMEA 2000™ connectivity and Two-way Hailer/PA function. The CT-M500 and the radio can be connected through WLAN. This separate interface box option allows for flexibility in positioning the unit closer to the NMEA network connection point.

And More

- Active Noise Canceling
- NMEA 0183/HS connectivity
- Integrated GNSS receiver (Selectable from either internal receiver or use UX-241 GNSS antenna)
- IP68 advanced waterproofing (1 m depth of water for 60 minutes)
- Automatic Foghorn function (CT-M500 required)
- Voice Scrambler with optional UT-112A
- AquaQuake™ prevents audio degradation from a water-logged speaker
- Supplied speaker-microphone, HM-205RB can be connected to the rear panel
- External speaker connection
- Controlled with COMMANDMIC™ HM-195GB/GW
- Supports 4-digit channels

SPECIFICATIONS

GENERAL		
Frequency range	TX RX DSC AIS1, 2**	156.025–157.425 MHz 156.050–163.275 MHz 156.525 MHz 161.975, 162.025 MHz
Usable channels		USA, CAN, INT, WX channels
Type of emission		16K0G3E (FM), 16K0G2B (DSC) 16K0GXW (AIS)**
Power supply requirement		13.8 V DC (11.7–15.9 V DC)
Current drain	TX 25 W output RX Max. audio	5.0 A 3.3 A
Operating temperature range		–20°C to +60°C; –4°F to +140°F
Antenna impedance		50 Ω
Weight (approximate)		730 g; 1.6 lb (Not including microphone)
TRANSMITTER		
Output power (at 13.8 V DC)		25 W, 1 W
Max. frequency deviation		±5 kHz
Frequency tolerance		±0.5 kHz
Spurious emissions		Less than –70 dBc (at 25 W)
Residual modulation		More than 40 dB
Adjacent channel power		More than 70 dB
RECEIVER		
Sensitivity (at 12 dB SINAD) DSC (1% BER)		0.32 μV typical 0.89 μV emf typical
Adjacent channel selectivity DSC (1% BER)		More than 75 dB More than 73 dBμ emf
Spurious response DSC (1% BER)		More than 75 dB More than 73 dBμ emf
Intermodulation DSC (1% BER)		More than 75 dB More than 68 dBμ emf
Hum and noise		More than 40 dB
Audio output power (at 10% distortion)		More than 15 W with a 4 Ω external speaker
Wireless LAN		
Wireless LAN standard		IEEE802.11 b/g/n
Authentication and Encryption		WEP (64/128 bit), WPA-PSK (TKIP), WPA2-PSK (AES)
Channels		1 to 13 (2.4 GHz band)**
Output power		Less than 10 mW/MHz

** Only for the Integrated AIS version. ** May differ depending on the country of use. Measurements made in accordance with TIA/EIA 603. All stated specifications are subject to change without notice or obligation.

Applicable U.S. Military Specifications

Standard	Method	MIL 810 G	Procedure
Low Pressure	500.5		I, II
High Temperature	501.5		I, II
Low Temperature	502.5		I, II
Temperature Shock	503.5		I–C
Solar Radiation	505.5		I
Rain	506.5		I
Humidity	507.5		II
Salt Fog	509.5		–
Dust Blowing	510.5		I
Immersion	512.5		I
Vibration	514.6		I
Shock	516.6		I, IV

Also meets equivalent MIL-STD-810-C, -D, -E and -F.

Applicable IP Rating

Ingress Protection Standard	
Dust & Water	IP68 Dust-tight and waterproof protection

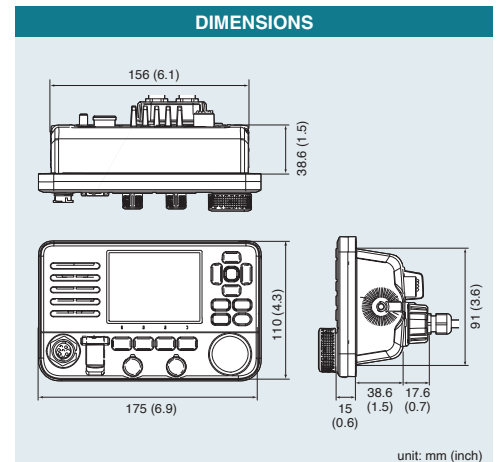
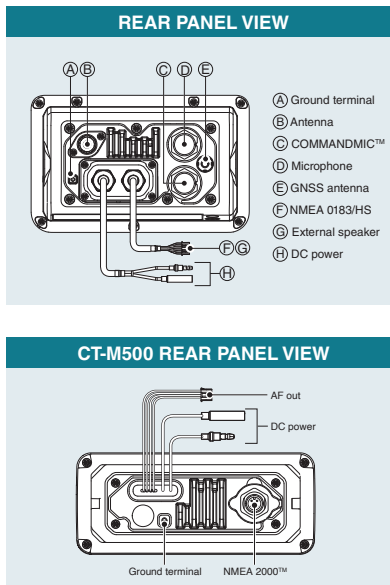
Supplied accessories:	
• Speaker microphone, HM-205RB	• Microphone hanger
• DC power cable	• Mounting bracket kit

OPTIONS

Some options may not be available in some countries. Please ask your dealer for details.

COMMANDMIC™  HM-195GB (Black) HM-195GW (White)	Supplied accessories  <ul style="list-style-type: none"> • OPC-1540. 6.1 m (20 ft) cable • Microphone hanger • Mounting base for connector * Amber backlit COMMANDMIC, HM-195B/SW are also available.	SPEAKER-MICROPHONE  HM-205RB Same as supplied.	EXTENSION CABLES  OPC-1541 (6.1 m, 20 ft) For HM-195GB/GW OPC-1000 (6.1 m, 20 ft) For HM-205RB
WIRELESS INTERFACE BOX  CT-M500 For NMEA 2000™ interface and Hailer/PA function. To connect to the IC-M510 via WLAN.	HORN SPEAKER  SP-37 Power rating: 30 W, Impedance: 4 Ω	VOICE SCRAMBLER UNIT  UT-112A Total of 32 voice scramble codes available.	FLUSH MOUNT KIT  MBF-7
FRONT PANEL COVER MBZ-1 Attach to protect from sunlight. 	CLASS B AIS TRANSPONDER  MA-510TR For transmitting own vessel AIS information.	REMOTE CONTROL SOFTWARE  RS-M500* iOS™/Android™ application for remote operation of the IC-M510.	
GNSS ANTENNA UX-241 			

* Free download Android™/iOS™ app. Download on Google Play™/the App Store.



IC-M510 Configuration Variations

	AIS Receiver
IC-M510 AIS	Integrated
IC-M510	Not included

Icom, Icom Inc. and the Icom logo are registered trademarks of Icom Incorporated (Japan) in Japan, the United States, the United Kingdom, Germany, France, Spain, Russia, Australia, New Zealand and/or other countries. COMMANDMIC and AQUAQUAKE are trademarks of Icom Inc. (Japan) in the United States. NMEA 2000 is a trademark of the National Maritime Electronics Association, Inc. Android and Google Play are registered trademarks or trademarks of Google LLC. IOS is a trademark or registered trademark of Cisco in the U.S. and other countries and is used under license. App Store is a service mark of Apple Inc. All other trademarks are the properties of their respective holders.

Icom Inc.

1-1-32, Kamiminami, Hirano-Ku, Osaka 547-0003, Japan Phone: +81 (06) 6793 5302 Fax: +81 (06) 6793 0013

www.icomjapan.com

Count on us!

Icom America Inc.
www.icomamerica.com

Icom (Europe) GmbH
www.icomeurope.com

Icom (Australia) Pty. Ltd.
www.icom.net.au

Your local distributor/dealer:

Icom Canada
www.icomcanada.com

Icom Spain S.L.
www.icomspain.com

Icom Asia Co., Ltd.
www.icomasia.com

Icom Brazil
E-mail: sales@icombrasil.com

Icom (UK) Ltd.
www.icomuk.co.uk

Icom France s.a.s.
www.icom-france.com