

xantrex™

LITHIUM ION BATTERY DATASHEET

AVAILABLE IN:

105 Ah
12V

Group 27 Battery
Drop-in Replacement

Optional Heater
(881-0180-12)



MORE POWER IN LESS SPACE

The Xantrex Lithium Ion Iron Phosphate (LiFePO₄) battery uses UL1973 certified cells. Equipped with redundant safety features, the Xantrex lithium battery is the safest in the market today. Specifically designed to withstand the harsh operating environments of marine and vehicle applications, the Xantrex lithium battery lasts up to 6,000 cycles¹ compared to a traditional lead acid or AGM battery, which typically lasts 400-500 cycles. The 105Ah battery is IP65 rated as well as tested to UL 458 vibration for marine applications. The ability to stack 4 batteries in parallel allows for creating a larger Ah system when there is no single space large enough for the larger Ah batteries. The Xantrex lithium battery offers exceptional power density and is also available with a heating blanket option if installation is outside the main cabin. With the Bluetooth connection enabled gathering real time data from the battery is incredibly simple and always accurate.



Internal BMS - reduces footprint



Cell Balancing - extends lifetime of battery



LED's to Monitor State of Charge



Remote Panel - view status of battery, turn battery on and off



Bluetooth - connect to the Xantrex mobile app to view status of battery



Parallel Stack up to 4 batteries

APPLICATIONS:



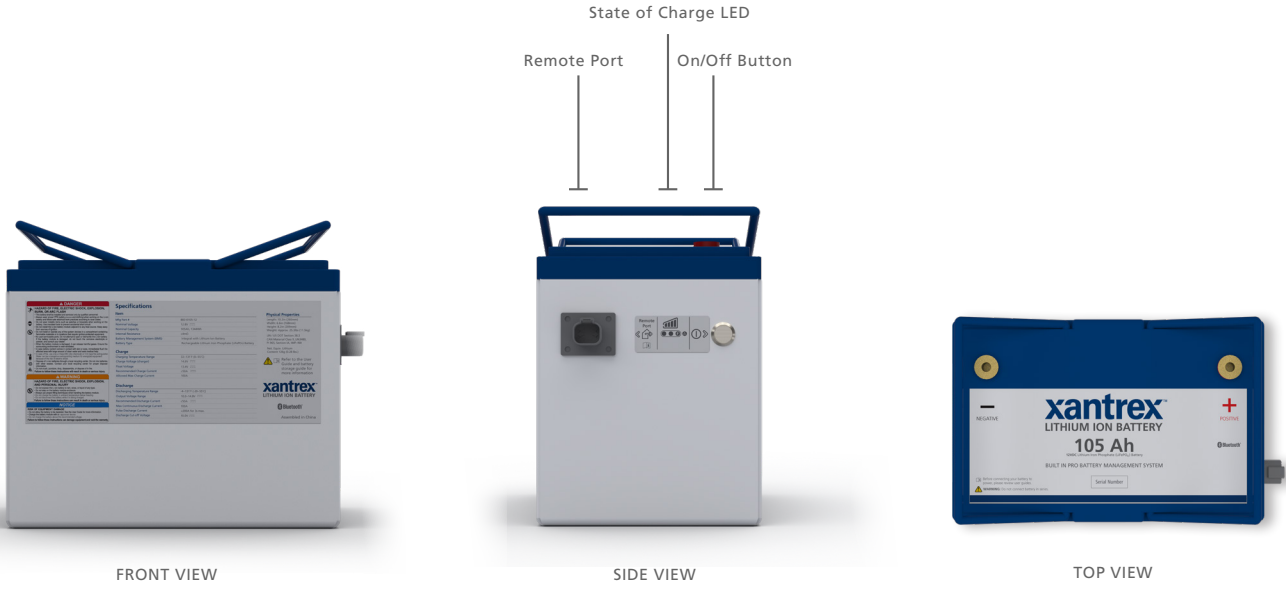
10 YEAR WARRANTY²

www.xantrex.com
CUSTOMER CARE: 1.800.670.0707

Copyright © 2021 Xantrex LLC. All Rights Reserved. All trademarks are owned by Xantrex LLC.
V3. 08.30.2021

1: Up to 6,000 Cycles under ideal conditions

2: For full warranty details, please refer to our warranty policy document



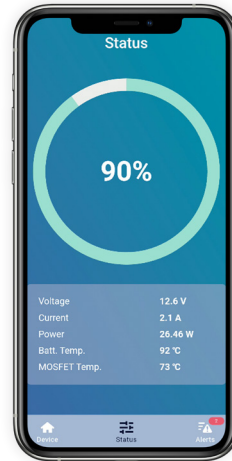
COMING SOON
XANTREX APP

- Connect with bluetooth
- Monitor battery

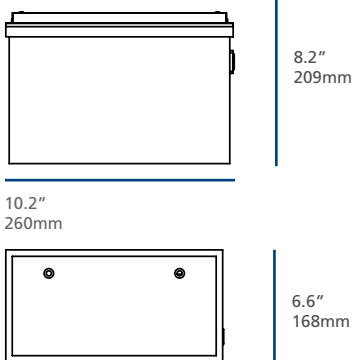
DOWNLOAD ON



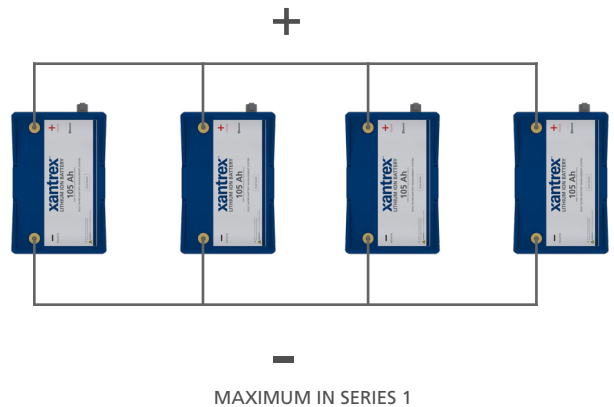
CONNECT WITH Bluetooth



105AH 12V DIMENSIONS



PARALLEL STACK UP TO 4 BATTERIES



BATTERY SPECIFICATION

Part Number	883-0105-12
Battery Voltage	12V
Nominal True Capacity	105Ah
Nominal Voltage	12.8 Volts
Nominal Watt Hours	1344Wh
Internal Impedence	<5mΩ
Charge Voltage	14.6V
Recommended Float Charge Voltage	13.6V
Recommended Charge Current	≤50A
Allowed Max Charge Current	100A
Output Voltage Range	10.0 - 14.6V
Recommended Discharge Current	≤50A
Max Continuous Discharge Current	100A
Pulse Discharge Current	200A (3s)
Discharge Cut-off Voltage	10V
Cycle Life to 80% Health	2800 (0.5C, 25°C, 100% Depth of Discharge) - increased cycle life with ideal conditions

ENVIRONMENTAL

Charging Temperature Range	32 - 131°F (0 - 55°C)
Discharging Temperature Range	-4 - 131°F (-20 - 55°C)
Storage Period 1 Week	-4 - 113°F (-20 - 45°C)
Storage Period 1 Month	14 - 113°F (-10 - 45°C)
Storage Period 6 Months	50 - 77°F (10 - 25°C)

MECHANICAL

Dimensions	10.2" x 6.6" x 8.2" (260mm x 168mm x 209mm) G27
Weight	25.4lbs (11.5kg)
Battery Terminals	M8 x 1.25
Carrying Capability	Two Foldout Handles
Mouting Orientation	Horizontal or Vertical

CERTIFICATION

U.N. International Approval	UN/DOT 38.3 Lithium Ion
-----------------------------	-------------------------

CONTACT

CUSTOMER SERVICE

1.800.670.0707
 customerservice@xantrex.com
Hours of operation:
 6:30am - 4:30pm PST, Monday to Friday

 facebook.com/Xantrex

 @Xantrex

 youtube.com/XantrexTechnology

LEARN MORE ON:

www.xantrex.com