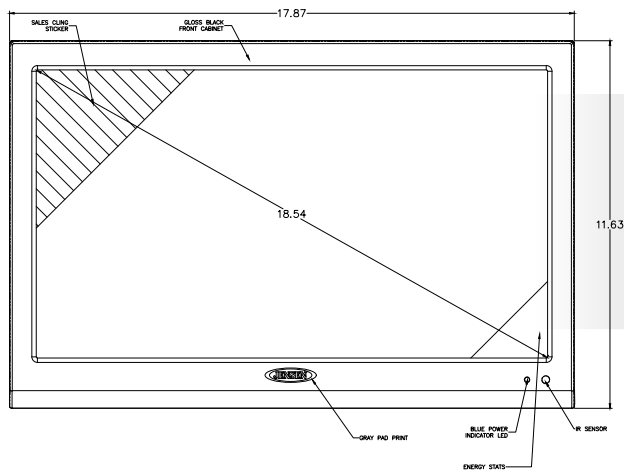


DESIGNED TO MOVE [YOU]<sup>®</sup>

# Product Change Notice

## JTV19DC

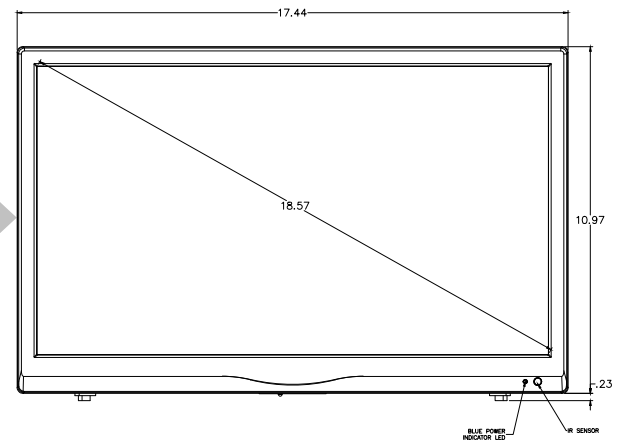


- DC Power
- White LED Illumination
- 16:9 LCD panel
- 1366 x 768 FULL HD
- 16.7 Million Colors
- Integrated HDTV (ATSC) Tuner
- 100mm x 100mm VESA Mounting Pattern
- CEC function with AWM975 or other JENSEN CEC-equipped HDMI DVD players
- Audio Return Channel (ARC) Supported with HDMI
- JCOM function with JENSEN CEC-equipped HDMI DVD players

### Inputs/Outputs

- Composite Video Input x 1 (NTSC/PAL compatible)
- Component Video Input x 1 (YPbPr)  
*(Note: Composite/component input shares same I/O)*
- Stereo Audio Input x 1
- RF x 1
- USB x 1
- HDMI input x 1
- Selectable (Variable/Fixed) Line Level Audio Output (RCA) x 1
- Digital SPDIF Audio Output (RCA) x 1

## JTV1921DC



- DC Power
- White LED Illumination
- 16:9 LCD panel
- 1366 x 768 FULL HD
- 16.7 Million Colors
- Integrated HDTV (ATSC) Tuner
- **75mm x 75mm VESA Mounting Pattern**
- CEC function with JENSEN CEC-equipped HDMI DVD players
- Audio Return Channel (ARC) Supported with HDMI
- JCOM function with JENSEN CEC-equipped HDMI DVD players

### Inputs/Outputs

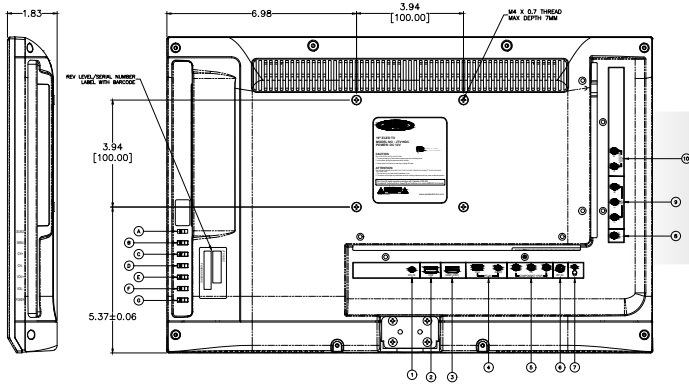
- Composite Video Input x 1 (NTSC/PAL compatible)
- Component Video Input x 1 (YPbPr)  
*(Note: Composite/component input shares same I/O)*
- Stereo Audio Input x 1
- RF x 1
- USB x 1
- HDMI input x 1
- Selectable (Variable/Fixed) Line Level Audio Output (RCA) x 1
- Digital SPDIF Audio Output (RCA) x 1



DESIGNED TO MOVE [YOU]®

# Product Change Notice

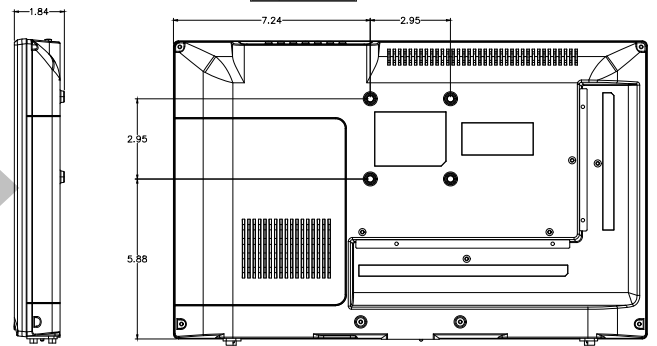
## JTV19DC



ITEM	DESCRIPTION
A	SOURCE BUTTON
B	MENU BUTTON
C	CHANNEL UP
D	CHANNEL DOWN
E	VOLUME INCREASE
F	VOLUME DECREASE
G	POWER BUTTON

ITEM NO	DESCRIPTION	ITEM NO	DESCRIPTION
1	DC IN	6	RF IN
2	USB	7	HEADPHONE
3	IR IN (RCS)	8	SDIF
4	PC IN	9	AV
5	COMPONENT 1/PH/PH	10	AUDIO OUT

## JTV1921DC



ITEM	DESCRIPTION
A	SOURCE BUTTON
B	MENU BUTTON
C	CHANNEL UP
D	CHANNEL DOWN
E	VOLUME INCREASE
F	VOLUME DECREASE
G	POWER BUTTON

ITEM NO	DESCRIPTION	ITEM NO	DESCRIPTION
1	DC IN	6	RF IN
2	USB	7	HEADPHONE
3	IR IN (RCS)	8	SDIF
4	PC IN	9	AV
5	COMPONENT 1/PH/PH	10	AUDIO OUT

**Specifications:** Test Spec ES-0001 (Modified)

**General Specifications:**

Power System	DC 12 V	
Power Consumption	20mA stand by	3.17A max
Operating Temperature Range	-4°F to 149°F	-20°C to 65°C
Storage Temperature Range	-22°F to 158°F	-30°C to 70°C
Maximum Relative Humidity	85%	
Overall Dimensions	17.9" W x 11.6" H x 1.8" D (without stand)	
Product Weight (unpacked)	5.6 lbs	
Regulatory Certification(s)	FCC	

**Performance Specifications:**

Video / Display System	NTSC/ATSC/PAL		
Video Input Signal (Composite)	1Vp-p @ 75 ohms		
Audio Output	3W x 2		
LCD Specifications	Diagonal Size	18.5"	
	Resolution	1366 x 768	
	Brightness	250 nit	
	Contrast Ratio	3000 : 1	
	View Angles	Top	89°
		Bottom	89°
		Left	89°
Right		89°	
Display Format	16:9		
Response Time	9.0ms		

**Specifications:** Test Spec ES-0001 (Modified)

**General Specifications:**

Power System	DC 12 V	
Power Consumption	20mA stand by	3.17A max
Operating Temperature Range	-4°F to 149°F	-20°C to 65°C
Storage Temperature Range	-22°F to 158°F	-30°C to 70°C
Maximum Relative Humidity	85%	
Overall Dimensions	17.44" W x 10.97" H x 1.84" D (without stand)	
Product Weight (unpacked)	5.5 lbs	
Regulatory Certification(s)	FCC	

**Performance Specifications:**

Video / Display System	NTSC/ATSC/PAL		
Video Input Signal (Composite)	1Vp-p @ 75 ohms		
Audio Output	3W x 2		
LCD Specifications	Diagonal Size	18.5"	
	Resolution	1366 x 768	
	Brightness	250 nit	
	Contrast Ratio	3000 : 1	
	View Angles	Top	89°
		Bottom	89°
		Left	89°
Right		89°	
Display Format	16:9		
Response Time	9.0ms		

If you have any questions regarding these product changes or want information on specific pricing, please contact your ASA Electronics sales representative or Customer Service at (877) 845-8750.