

**Key Features:**

- Corrosion Proof 316L Marine Grade Stainless Steel
- Available in 4-in-1 (CVBS, TVI, CVI, AHD) & IP Formats
- Analogue Hi-Def Resolutions up to 1920x1080P Resolution
- IP Version - Max 3MP Hi-Def Resolution
- Super Wide Angle 160° Lens (other lens options available)
- IP Version Supports PoE and 12VDC - Ultra Low Power
- Built in Infra Red LED Illumination (10m Range)
- EN60945, EN55032, EN55035, EN50529 (IP66) , FCC, CE
- Shock & Vibration Proof
- Super Rugged and Easy to Install

Applications:

- Perfect For Extreme Environments
- Work Boat & Tugs
- Fishing Vessels
- Engine Room Monitoring
- Law Enforcement & Military
- Wind Farm Vessels
- SUV's, RV's, Work Vehicles and Trucks
- Luxury Vessels
- Passenger Ferries & Cruise Liners

Iris' Sx76 series camera is the first of its kind designed to be installed into a bulkhead or vertical surface. Its waterproof stainless steel case is machined from marine grade 316L stainless steel which means it will not corrode in harsh salt water environments, making it a great option as a back up or docking camera for boats. By mounting the camera in the sides of your boat it can even be used when mooring alongside jetties or pontoons.

During installation, the camera's inner ball can be adjusted and then locked into position by simply tightening the outer bezel to achieve the desired view.

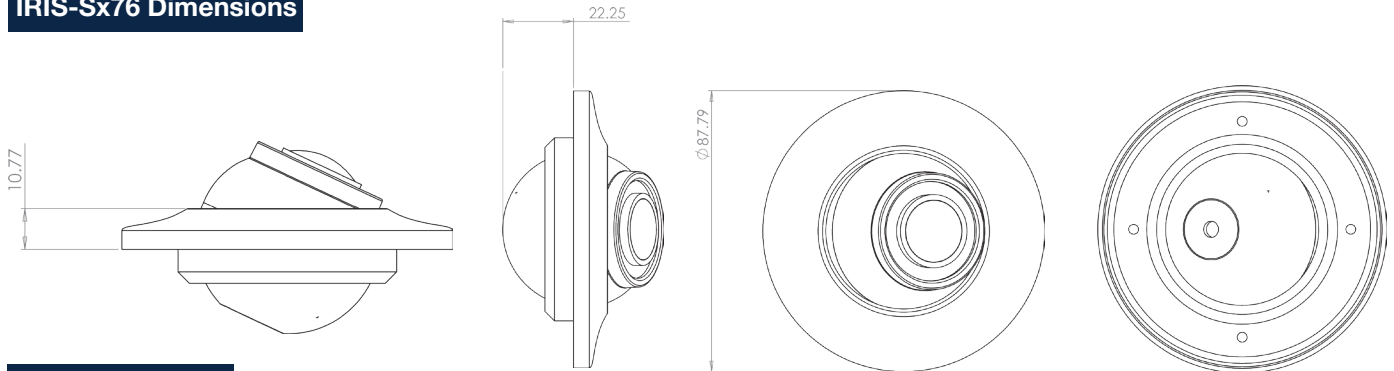
Two models of the camera are available depending on your system requirements. For IP based systems, the S476 features 3MP high definition resolution and 12VDC or PoE power, or for analogue or analogue hi-def (such as TVI / CVI / AHD) systems, the S076 version features 1080P resolution. The camera also outputs a CVBS signal for legacy composite video systems.

Both versions of the camera feature a 1.8mm (160°HFOV) wide angle lens as standard, with 3.6mm and 2.8mm lens options available. Built in infra red LED illuminators provide short range night vision around the camera to a range of around 10m.

As well as marine applications, the camera's tough case and small footprint make it a perfect visibility aid for recreational vehicles, fire and rescue trucks, and other applications where a robust and reliable, high definition camera is required.

The camera is certified to EN60945, EN55032, EN55035 and EN60529 (IP66) and is ONVIF compliant. For marine applications, the camera is directly compatible with Raymarine LH2 and above, Simrad, Lowrance and B&G. For Garmin systems, use in conjunction with Iris CMAC systems.

IRIS-Sx76 Dimensions



Specifications:

	IRIS-S076	IRIS-S476
Sensor	1/4" CMOS Sensor	
Resolution	CVBS: 960H / AHD, HD-TVI. HD-CVI: 1920 x 1080	Variable - 3MP Max (2304 x 1296)
Interface	OSD Menu via in-line Joystick in Cable Tail	RJ45 10/100 Base T Ethernet
Video Processing	Analogue / Analogue HD	H.264 Codec / Dual Stream
Protocols / Video Format	1VP-P / 75Ω Composite / AHD/TVI/CVI Formats	TCP/UDP/HTTP/Multicast/UPnP/NTP/RTSP/ONVIF
Onvif	NA	Profile S v21.06
Bitrate	NA	VBR / CBR 32kbps ~ 8Mbps
Illumination	6 x 850nm Infra Red - 10 meter Range	
Lens / Field of View	3.6mm Option (80° HFOV) / 2.8mm Option (120° HFOV) / 1.8mm Standard (160° HFOV)	
Mirroring	Horizontal & Vertical - Configure via OSD	Horizontal & Vertical - Configure via Browser
Automatic Gain Control	Supported / Multiple Levels	
Compatibility	CVBS: All MFD's / Screens featuring Composite Video Input AHD/TVI/CVI via Interface or IRIS CMAC System	Raymarine / Axiom (LH2 or higher), Simrad / B&G / Lowrance (Latest NOS / NEON OS) / PC based systems, MFD's with digital (HDMI / DVI) Input, MFD's via IRIS NVR/HVR, IE Browser
Operating Temperature	-30 ~ +60 °C	
Connections	Video - 75Ω BNC Female / 2.1mm DC Socket	Water Resistant RJ45 Socket / Non PoE with DC Power Socket
Material	Marine Grade 316L Stainless Steel (High Polished as standard / Brushed / Powder Coat Options available)	
Power	+12VDC (+10 ~ +15VDC Range) / 1W Nominal / 1.8W Max (LED's ON)	+12VDC (+10 ~ +15VDC Range) / 1W Nominal / 1.8W Max (LED's ON)
Power Over Ethernet (PoE)	NA	IEEE802.3af
Weight & Dimensions	/ 88mm ø x 22.25mm above and below mounting surface	
Environmental	EN60529 / IP66	
EMC	EN55032:2015/A11:2020 & EN55035:2017/A11:2020 EN60945:2002 Sections 9 & 10 / FCC Part 15 A & B	EN55032:2015/A11:2020 & EN55035:2017/A11:2020 EN60945:2002 Sections 9 & 10 / PoE with Compliant PoE Injector / FCC Part 15 A & B
RoHS	EN6300:2018	