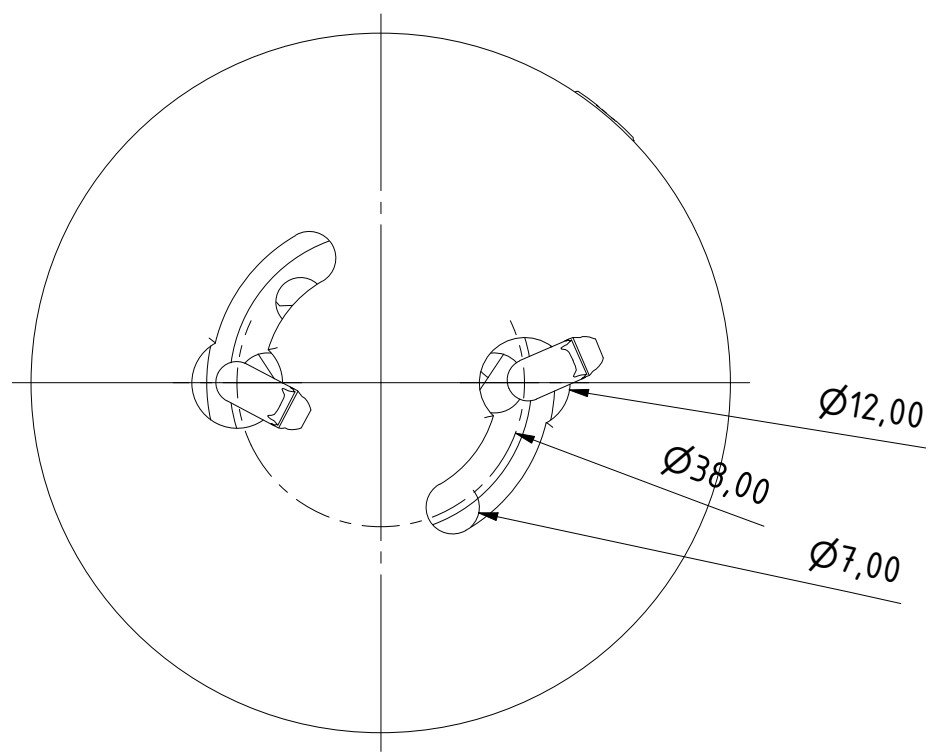
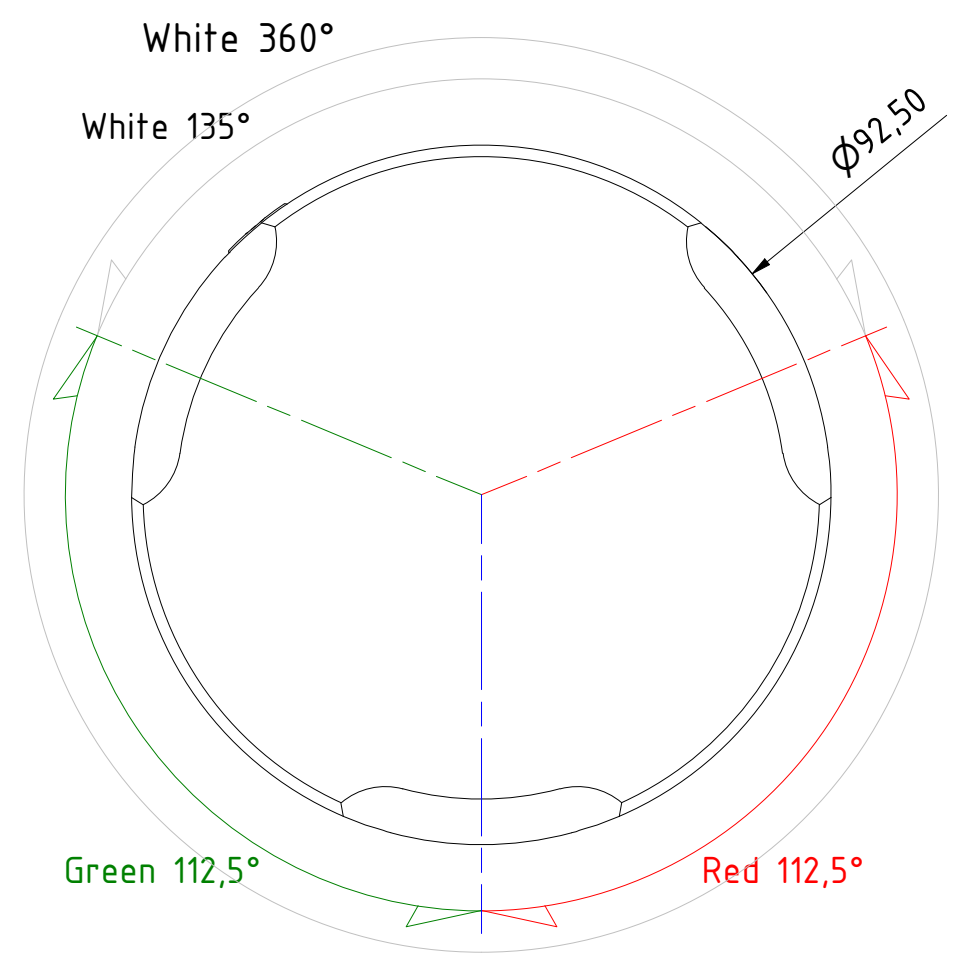
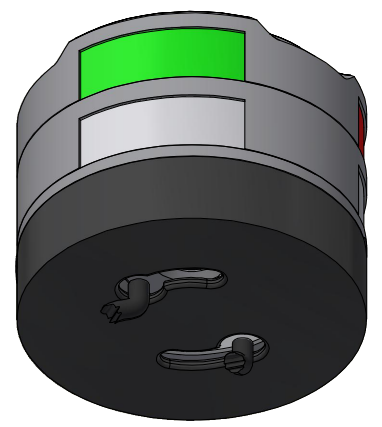
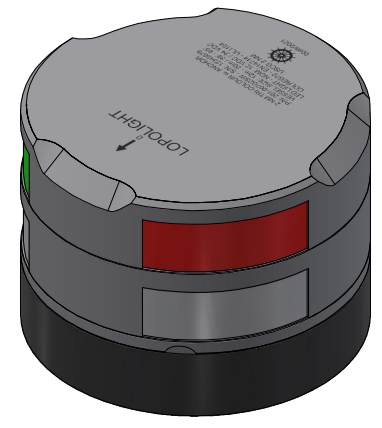
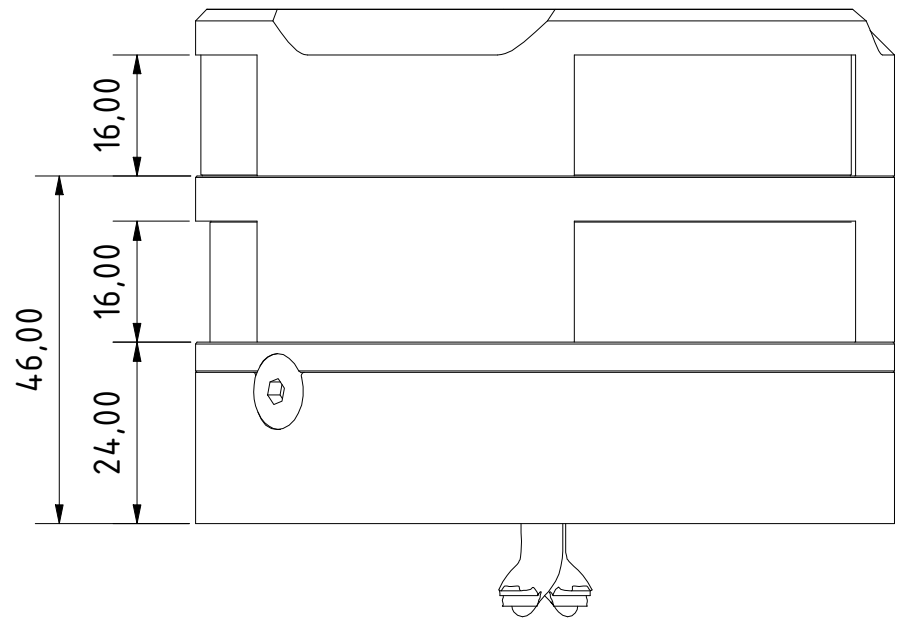
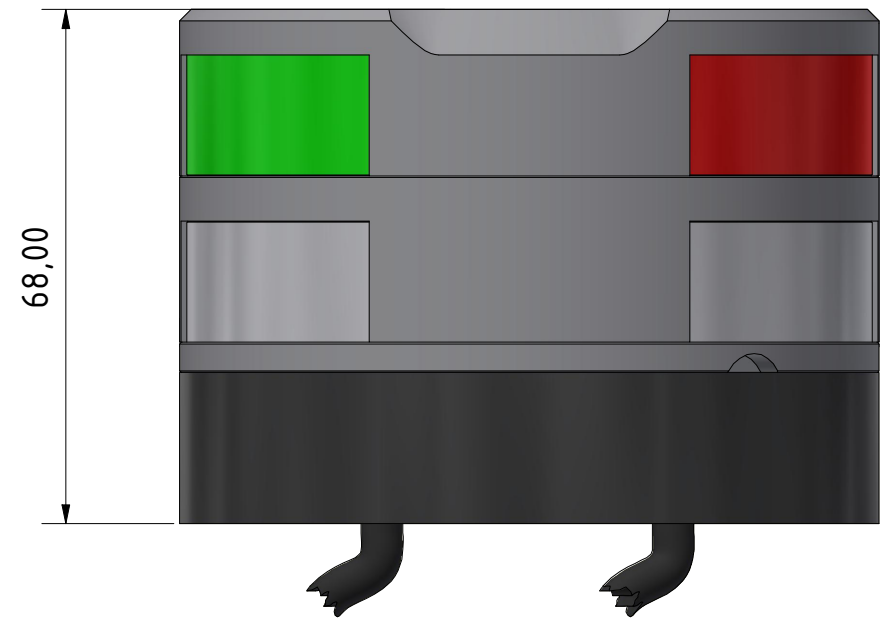


A B C D E F G H I J

1 2 3 4 5 6 7 8



TITLE:
201-007G2 2 NM Tri-color, Anchor, on a 400-038 PE std base

DRAWING NO.:	REV. NO.:	SIZE:	DRAWN BY:
201-007G2-AA	1	A3	Thomas
SCALE:	TOLERANCES:	REVIEWED BY:	CREATION DATE:
1 : 1	DS/ISO 2768-f		23-09-2021

MATERIAL DESCRIPTION:
Alu. EN6082, Acrylic, PE (20µ Silver anodized according to EN ISO 7599 (50µ) Black anodized according to MIL-A 8625F)



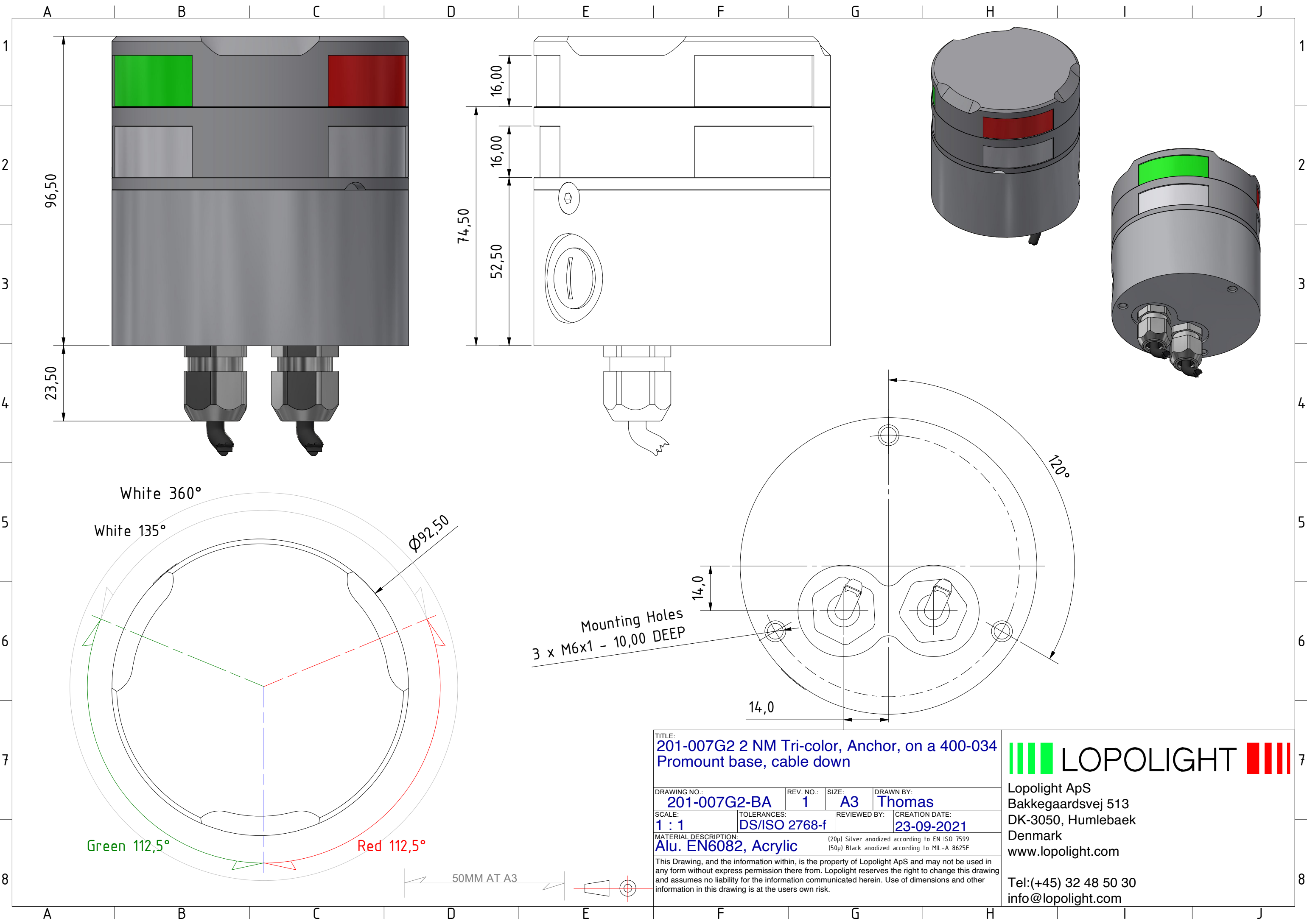
Lopolight ApS
 Bakkegaardsvej 513
 DK-3050, Humlebaek
 Denmark
www.lopolight.com

Tel:(+45) 32 48 50 30
info@lopolight.com



A B C D E F G H I J

8



TITLE:
201-007G2 2 NM Tri-color, Anchor, on a 400-034 Promount base, cable down

DRAWING NO.: **201-007G2-BA** REV. NO.: **1** SIZE: **A3** DRAWN BY: **Thomas**

SCALE: **1 : 1** TOLERANCES: **DS/ISO 2768-f** REVIEWED BY: CREATION DATE: **23-09-2021**

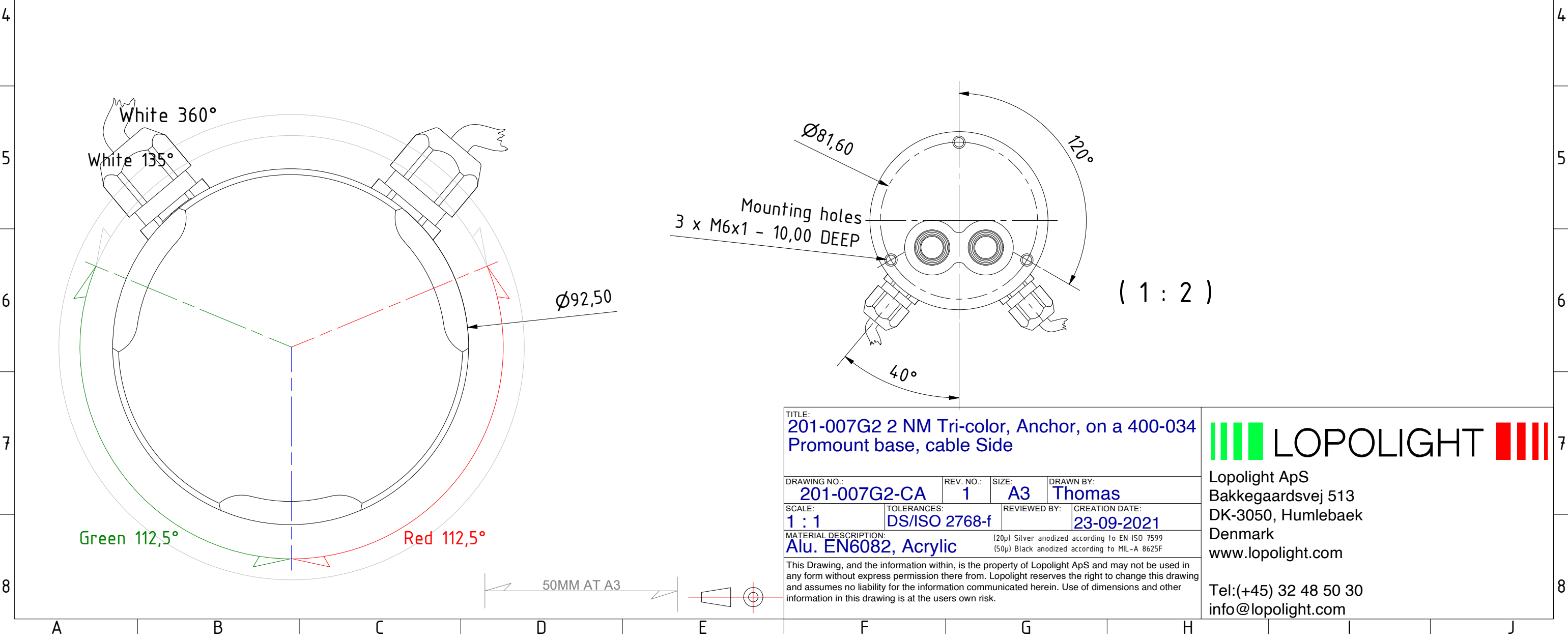
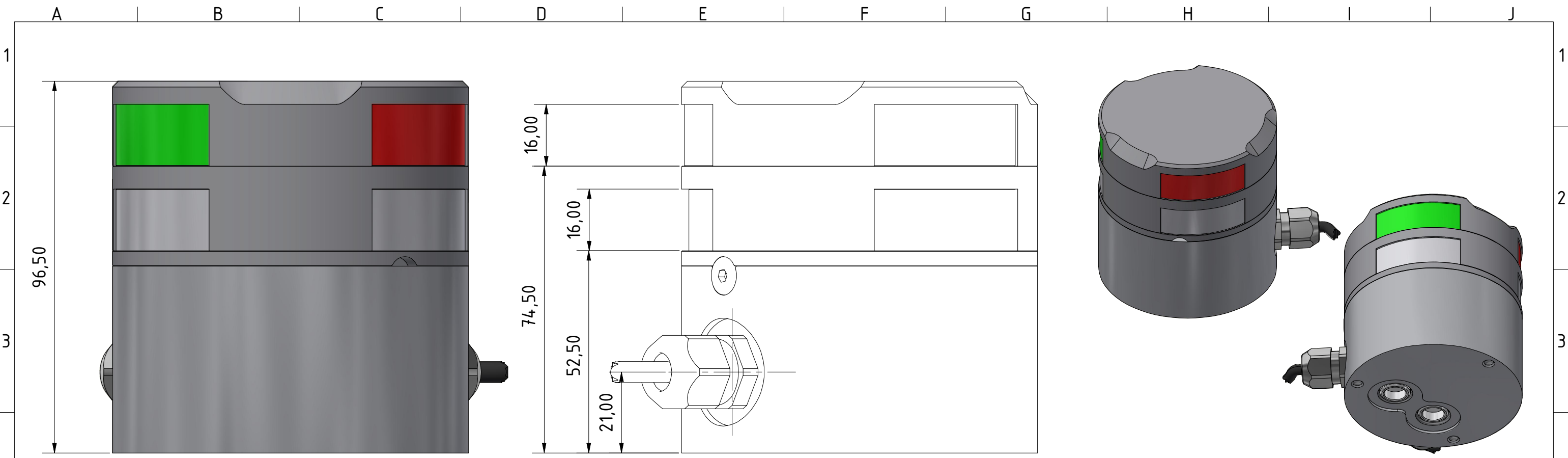
MATERIAL DESCRIPTION:
Alu. EN6082, Acrylic (20µ) Silver anodized according to EN ISO 7599
 (50µ) Black anodized according to MIL-A 8625F

This Drawing, and the information within, is the property of Lopolight ApS and may not be used in any form without express permission there from. Lopolight reserves the right to change this drawing and assumes no liability for the information communicated herein. Use of dimensions and other information in this drawing is at the users own risk.



Lopolight ApS
 Bakkegaardsvej 513
 DK-3050, Humlebaek
 Denmark
www.lopolight.com

Tel:(+45) 32 48 50 30
info@lopolight.com



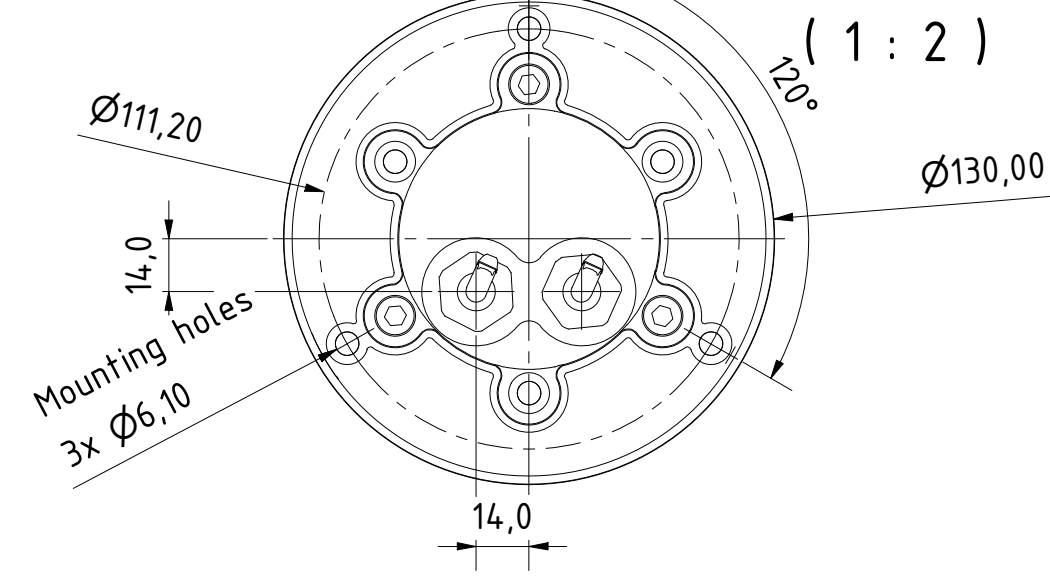
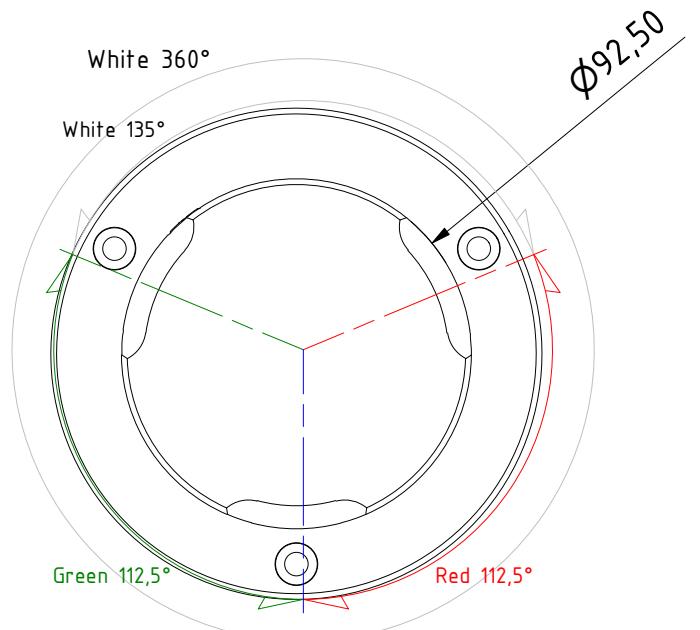
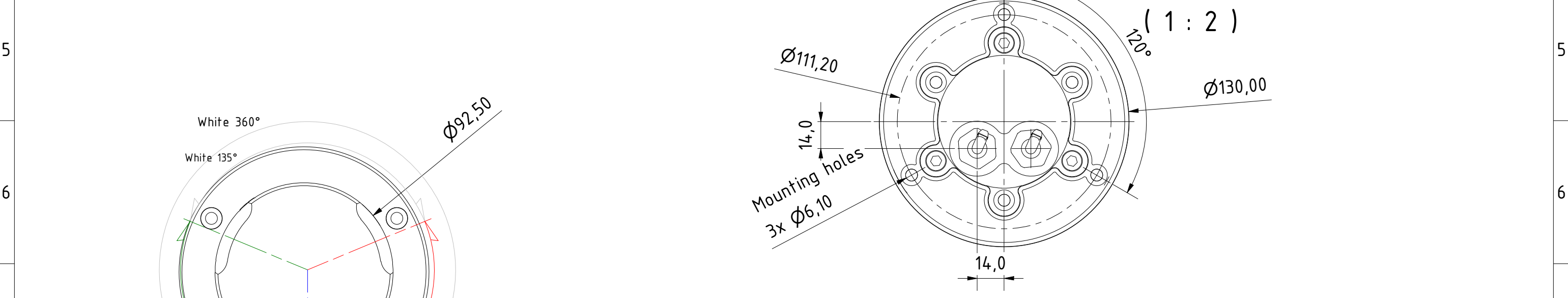
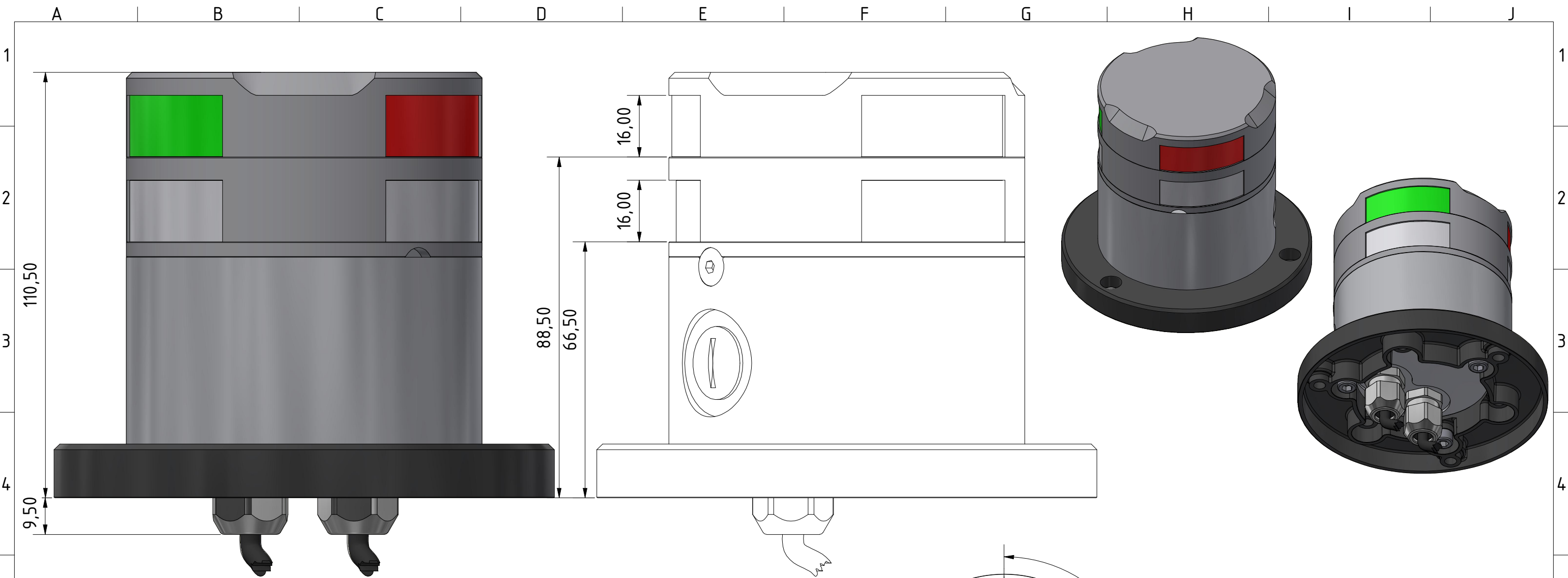
TITLE: 201-007G2 2 NM Tri-color, Anchor, on a 400-034 Promount base, cable Side			
DRAWING NO.:	REV. NO.:	SIZE:	DRAWN BY:
201-007G2-CA	1	A3	Thomas
SCALE:	TOLERANCES:	REVIEWED BY:	CREATION DATE:
1 : 1	DS/ISO 2768-f		23-09-2021
MATERIAL DESCRIPTION:			
Alu. EN6082, Acrylic		<small>(20µ) Silver anodized according to EN ISO 7599 (50µ) Black anodized according to MIL-A 8625F</small>	

LOPOLIGHT

Lopolight ApS
 Bakkegaardsvej 513
 DK-3050, Humlebaek
 Denmark
www.lopolight.com

Tel: (+45) 32 48 50 30
info@lopolight.com

This Drawing, and the information within, is the property of Lopolight ApS and may not be used in any form without express permission there from. Lopolight reserves the right to change this drawing and assumes no liability for the information communicated herein. Use of dimensions and other information in this drawing is at the users own risk.

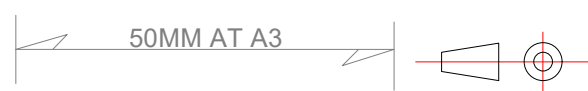


TITLE: 201-007G2 2 NM Tri-color, Anchor, on a 400-034 Promount base, 400-404 PE Base, cable down			
DRAWING NO.:	REV. NO.:	SIZE:	DRAWN BY:
201-007G2-DA	1	A3	Thomas
SCALE:	TOLERANCES:	REVIEWED BY:	CREATION DATE:
1 : 1	DS/ISO 2768-f		23-09-2021
MATERIAL DESCRIPTION: Alu. EN6082, Acrylic, PE (20µ) Silver anodized according to EN ISO 7599 (50µ) Black anodized according to MIL-A 8625F			

LOPOLIGHT

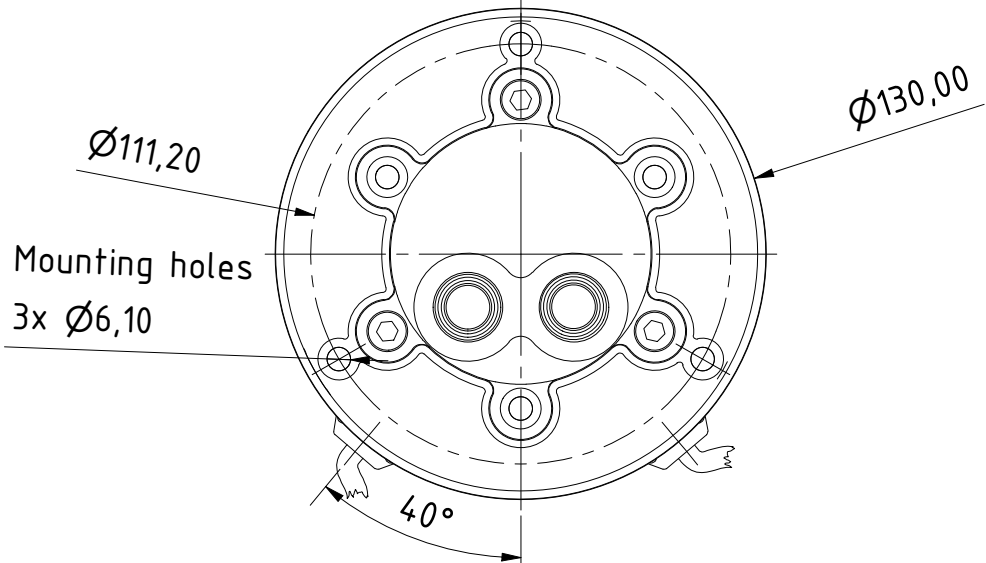
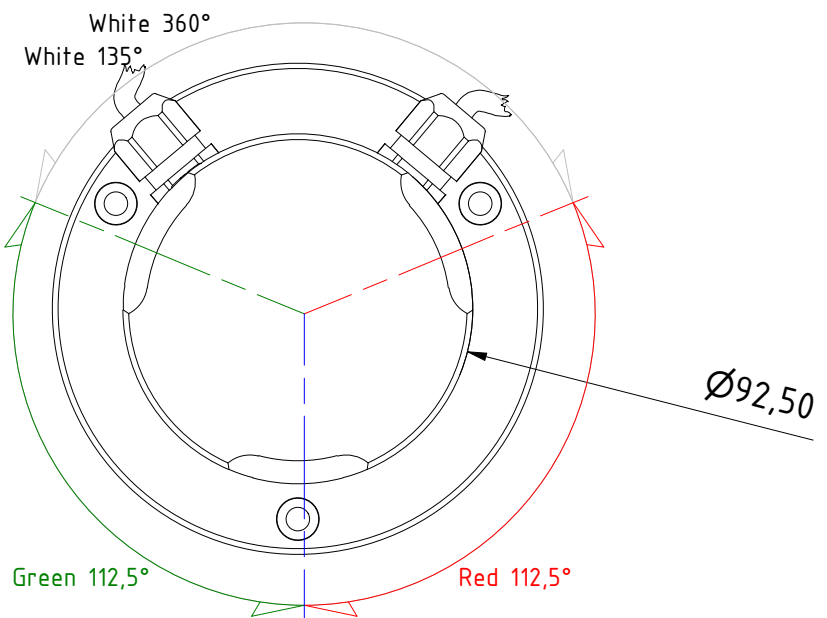
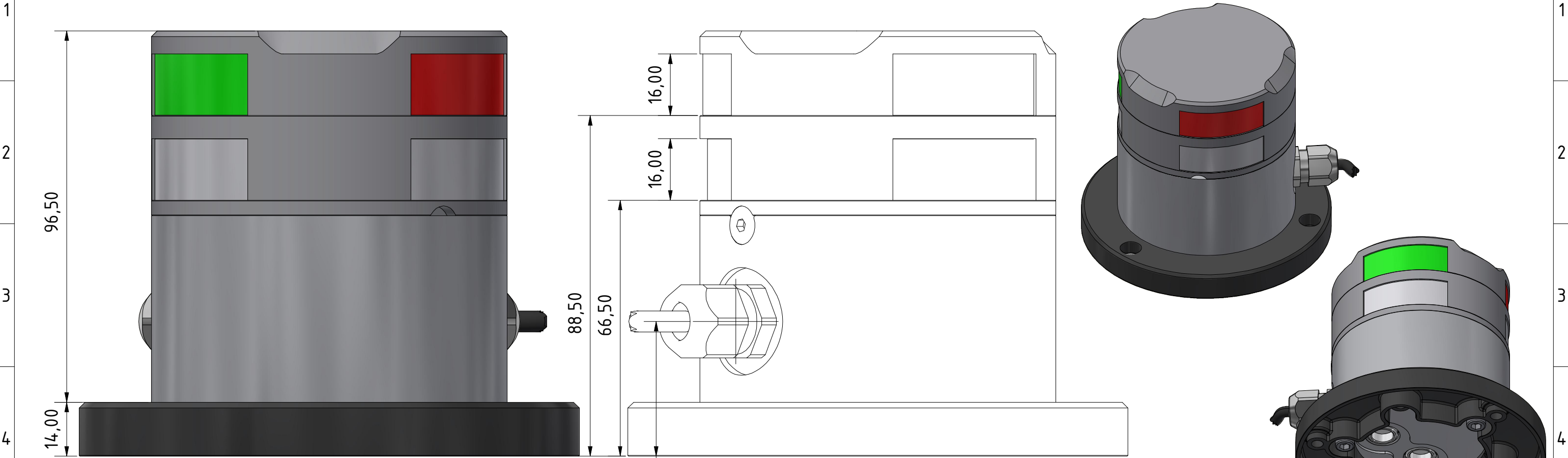
Lopolight ApS
Bakkegaardsvej 513
DK-3050, Humlebaek
Denmark
www.lopolight.com

Tel:(+45) 32 48 50 30
info@lopolight.com



This Drawing, and the information within, is the property of Lopolight ApS and may not be used in any form without express permission there from. Lopolight reserves the right to change this drawing and assumes no liability for the information communicated herein. Use of dimensions and other information in this drawing is at the users own risk.

A B C D E F G H I J



TITLE:
201-007G2 2 NM Tri-color, Anchor, on a 400-034 Promount base, 400-404 PE Base, cable side

DRAWING NO.:	REV. NO.:	SIZE:	DRAWN BY:
201-007G2-EA	1	A3	Thomas
SCALE:	TOLERANCES:	REVIEWED BY:	CREATION DATE:
1 : 1	DS/ISO 2768-f		23-09-2021

MATERIAL DESCRIPTION:
Alu. EN6082, Acrylic, PE (20µ) Silver anodized according to EN ISO 7599 (50µ) Black anodized according to MIL-A 8625F

LOPOLIGHT

Lopolight ApS
 Bakkegaardsvej 513
 DK-3050, Humlebaek
 Denmark
www.lopolight.com

Tel:(+45) 32 48 50 30
info@lopolight.com

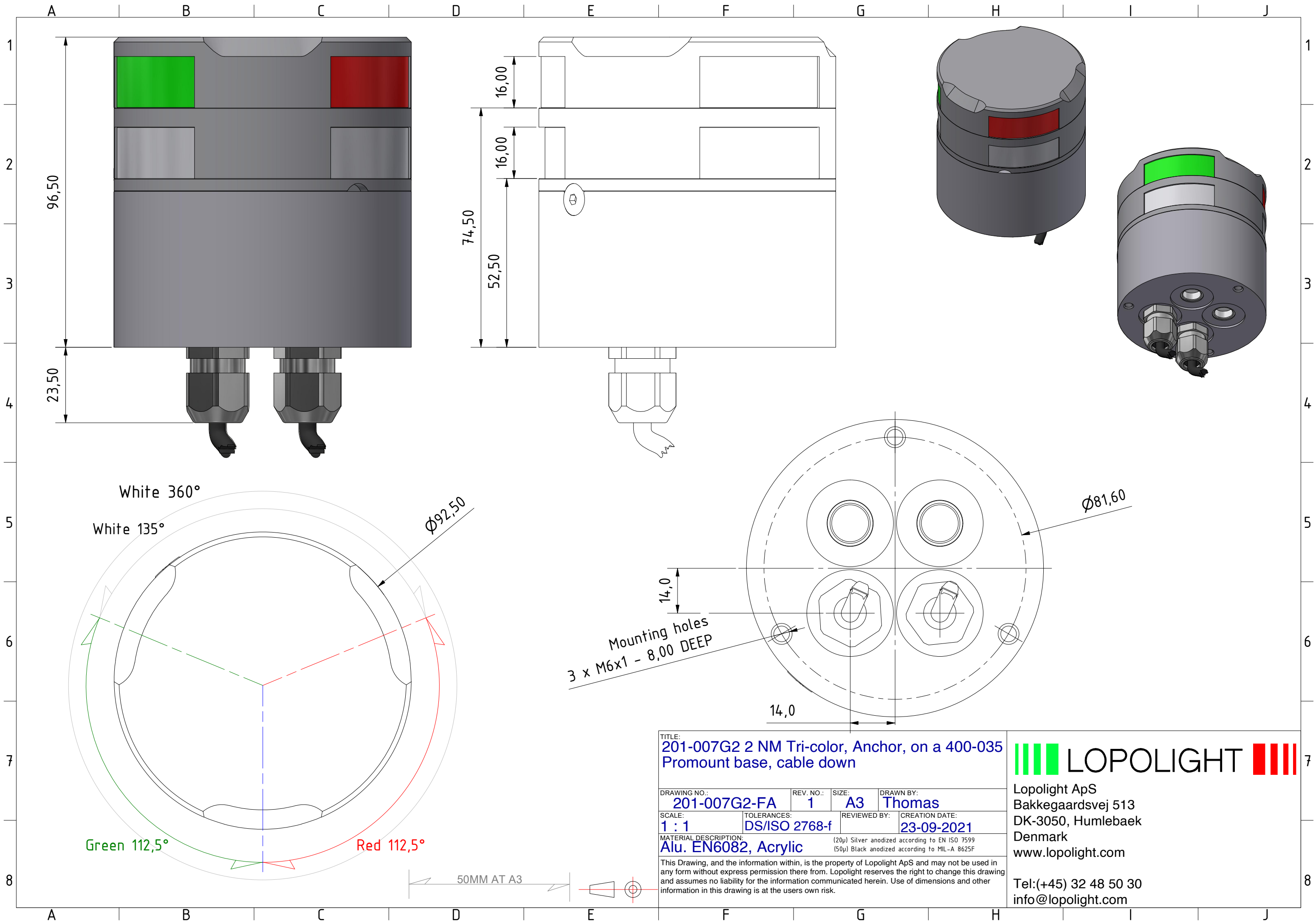


A B C D E F G H I J

1
2
3
4
5
6
7
8

1
2
3
4
5
6
7
8

This Drawing, and the information within, is the property of Lopolight ApS and may not be used in any form without express permission there from. Lopolight reserves the right to change this drawing and assumes no liability for the information communicated herein. Use of dimensions and other information in this drawing is at the users own risk.

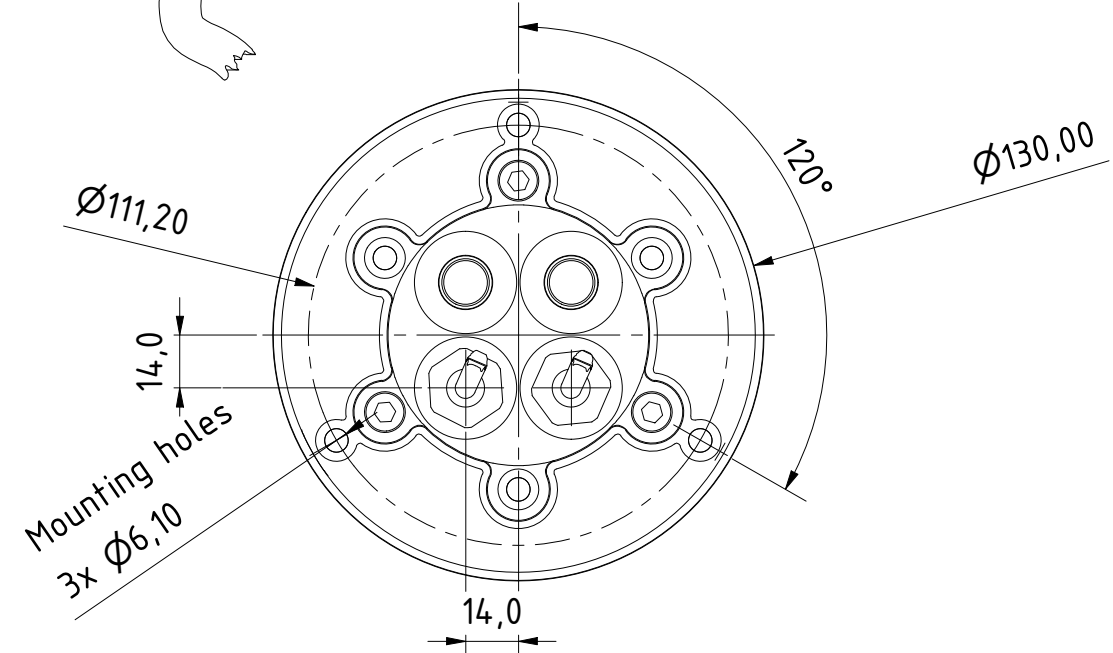
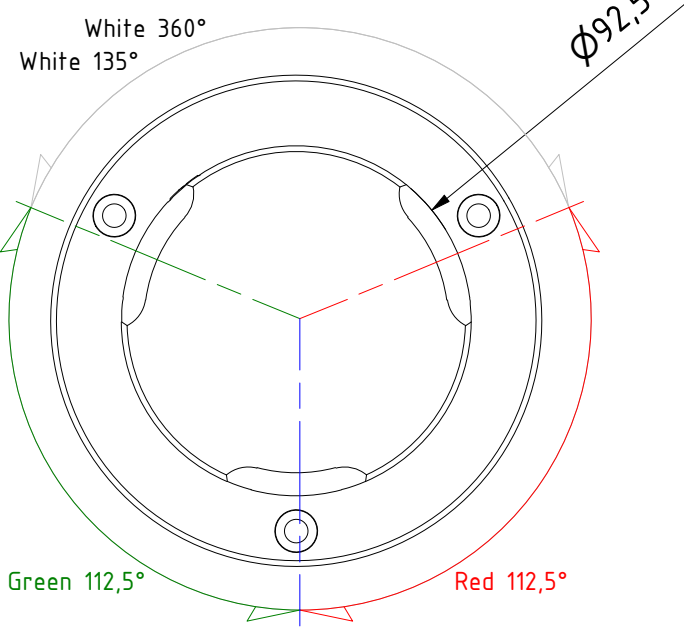
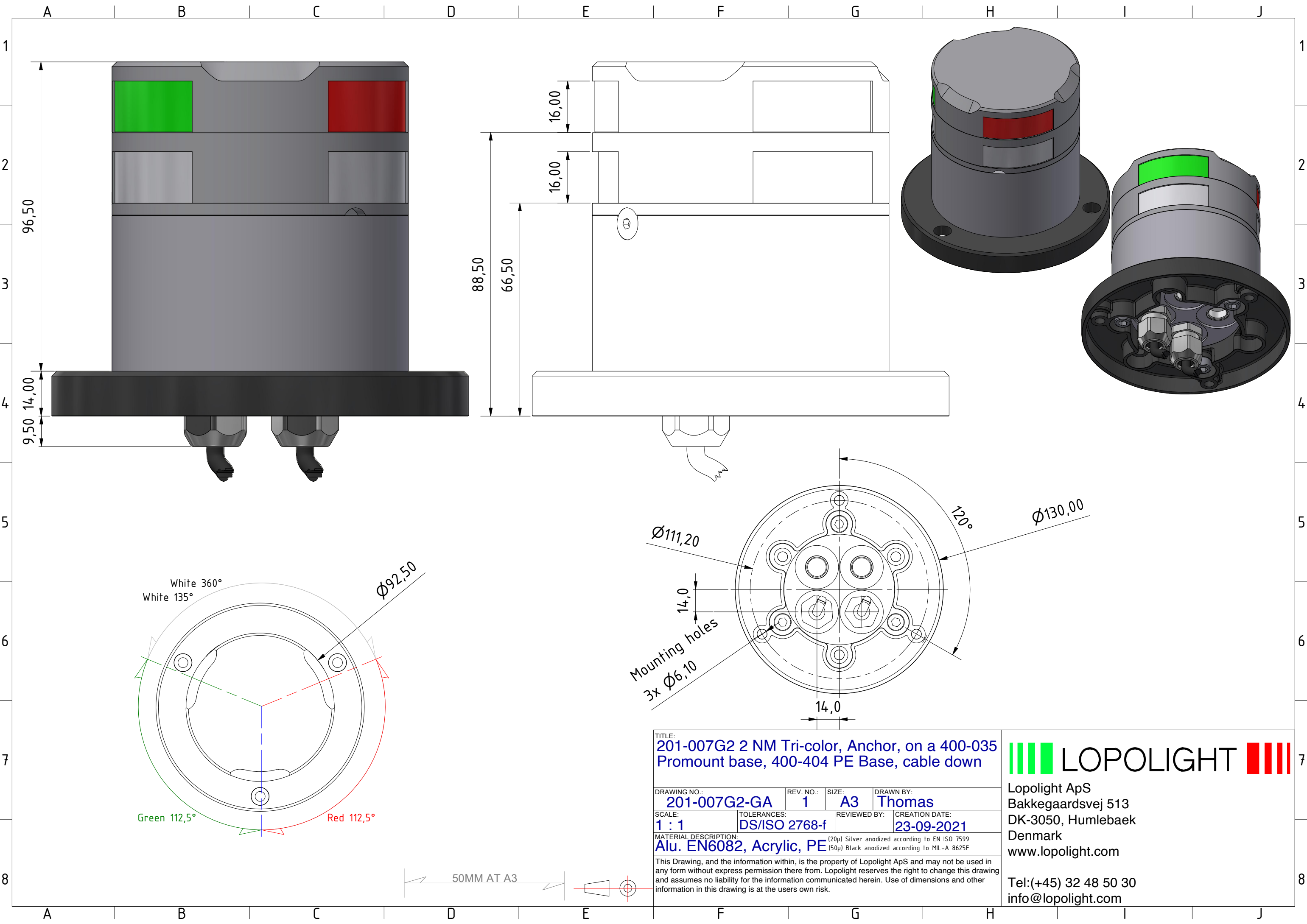


TITLE: 201-007G2 2 NM Tri-color, Anchor, on a 400-035 Promount base, cable down			
DRAWING NO.:	REV. NO.:	SIZE:	DRAWN BY:
201-007G2-FA	1	A3	Thomas
SCALE:	TOLERANCES:	REVIEWED BY:	CREATION DATE:
1 : 1	DS/ISO 2768-f		23-09-2021
MATERIAL DESCRIPTION:		(20µ) Silver anodized according to EN ISO 7599 (50µ) Black anodized according to MIL-A 8625F	
Alu. EN6082, Acrylic			
This Drawing, and the information within, is the property of Lopolight ApS and may not be used in any form without express permission there from. Lopolight reserves the right to change this drawing and assumes no liability for the information communicated herein. Use of dimensions and other information in this drawing is at the users own risk.			

LOPOLIGHT

Lopolight ApS
 Bakkegaardsvej 513
 DK-3050, Humlebaek
 Denmark
www.lopolight.com

Tel:(+45) 32 48 50 30
info@lopolight.com



TITLE:
201-007G2 2 NM Tri-color, Anchor, on a 400-035 Promount base, 400-404 PE Base, cable down

DRAWING NO.: 201-007G2-GA REV. NO.: 1 SIZE: A3 DRAWN BY: Thomas

SCALE: 1 : 1 TOLERANCES: DS/ISO 2768-f REVIEWED BY: CREATION DATE: 23-09-2021

MATERIAL DESCRIPTION:
Alu. EN6082, Acrylic, PE (20µ) Silver anodized according to EN ISO 7599 (50µ) Black anodized according to MIL-A 8625F

This Drawing, and the information within, is the property of Lopolight ApS and may not be used in any form without express permission there from. Lopolight reserves the right to change this drawing and assumes no liability for the information communicated herein. Use of dimensions and other information in this drawing is at the users own risk.



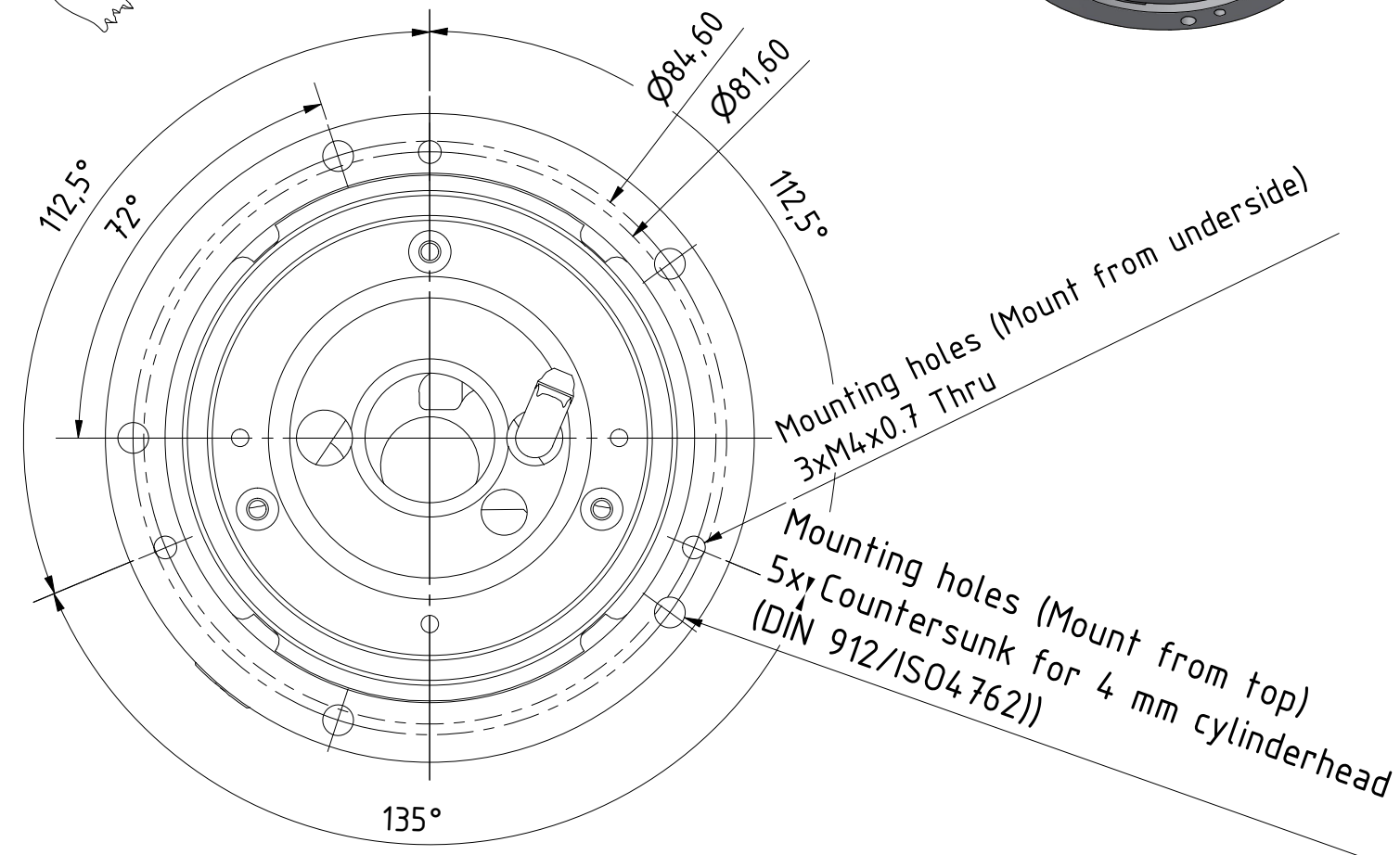
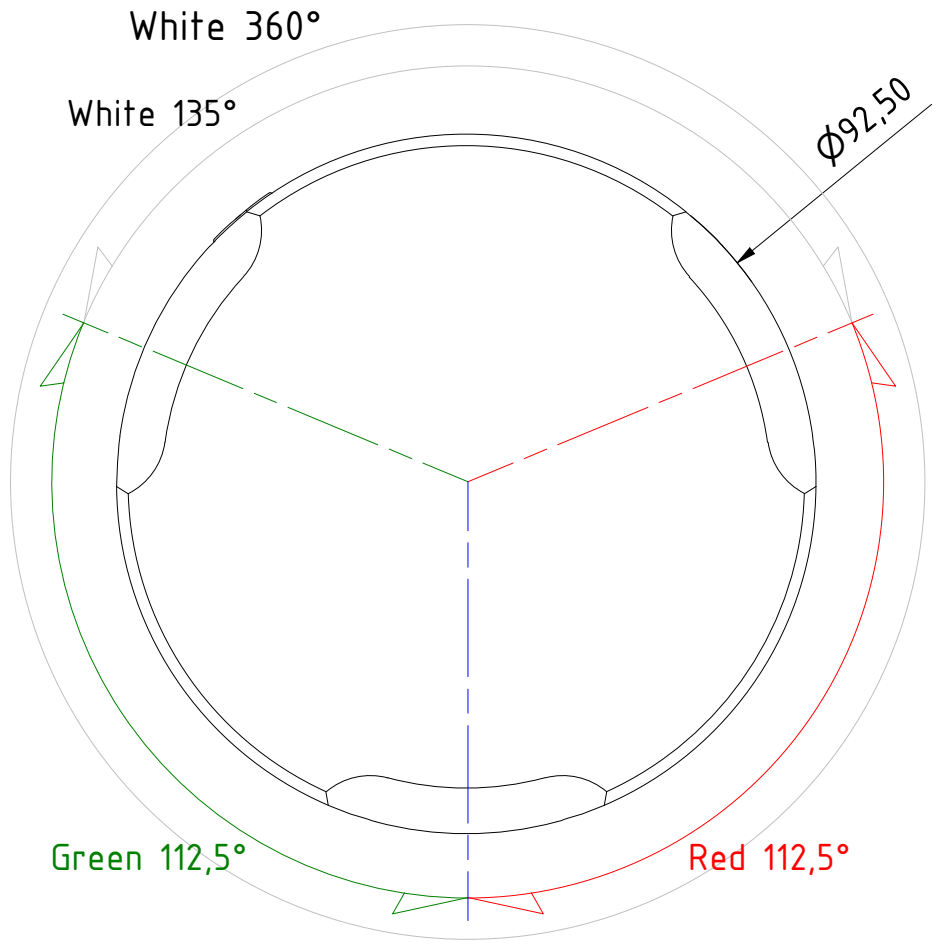
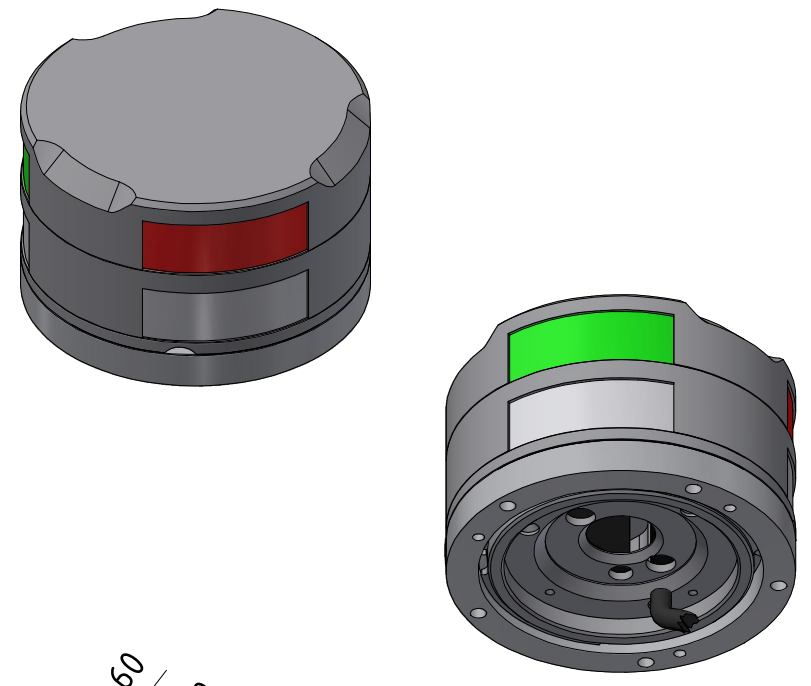
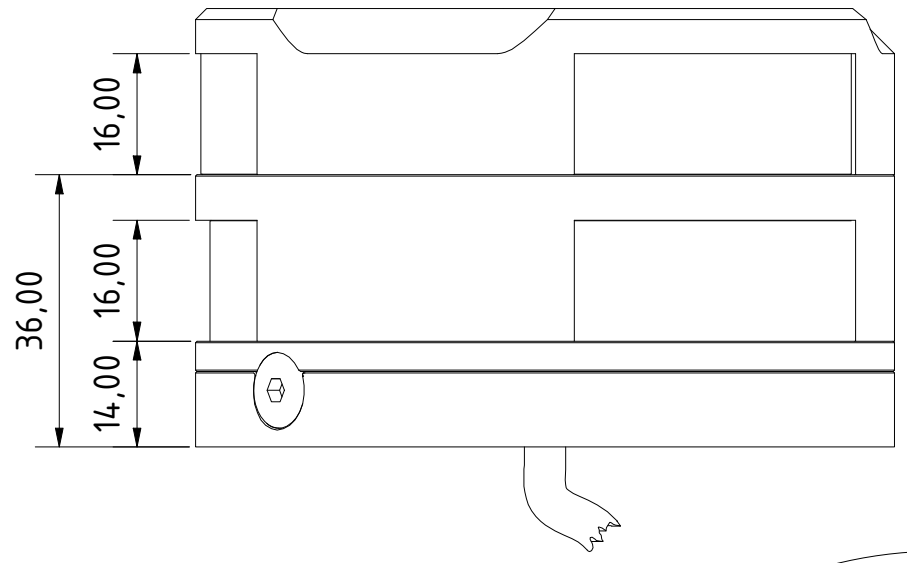
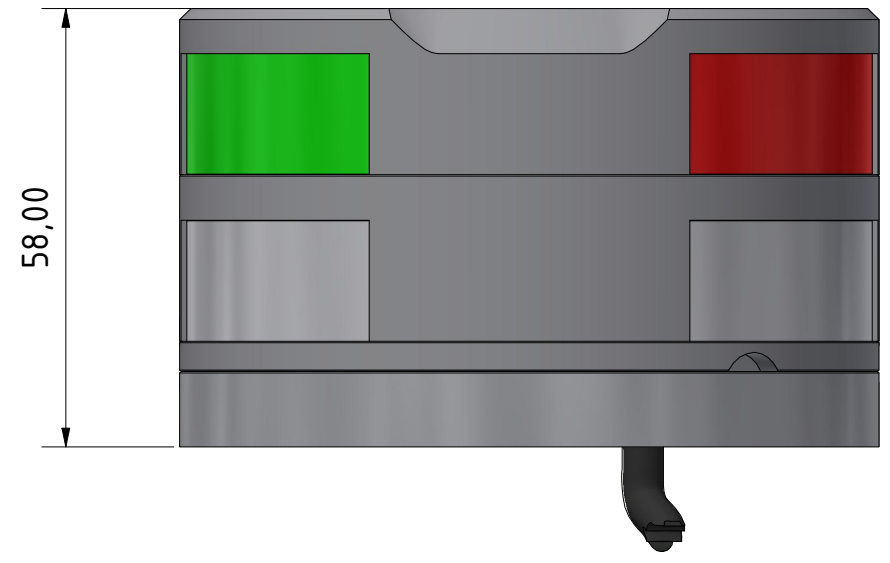
Lopolight ApS
Bakkegaardsvej 513
DK-3050, Humlebaek
Denmark
www.lopolight.com

Tel:(+45) 32 48 50 30
info@lopolight.com



A B C D E F G H I J

1 2 3 4 5 6 7 8

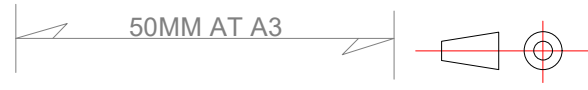


TITLE: 201-007G2 2 NM Tri-color, Anchor, on a 400-036 Ultra low profile base			
DRAWING NO.:	REV. NO.:	SIZE:	DRAWN BY:
201-007G2-HA	1	A3	Thomas
SCALE:	TOLERANCES:	REVIEWED BY:	CREATION DATE:
1 : 1	DS/ISO 2768-f		23-09-2021
MATERIAL DESCRIPTION: Alu. EN6082, Acrylic (20µ Silver anodized according to EN ISO 7599 50µ Black anodized according to MIL-A 8625F)			

LOPOLIGHT

Lopolight ApS
 Bakkegaardsvej 513
 DK-3050, Humlebaek
 Denmark
www.lopolight.com

Tel:(+45) 32 48 50 30
info@lopolight.com



A B C D E F G H I J

8

This Drawing, and the information within, is the property of Lopolight ApS and may not be used in any form without express permission there from. Lopolight reserves the right to change this drawing and assumes no liability for the information communicated herein. Use of dimensions and other information in this drawing is at the users own risk.