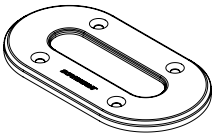
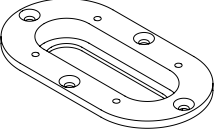
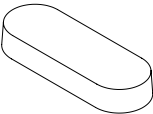
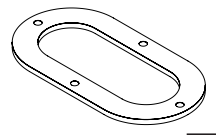

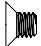


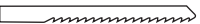





Parts List

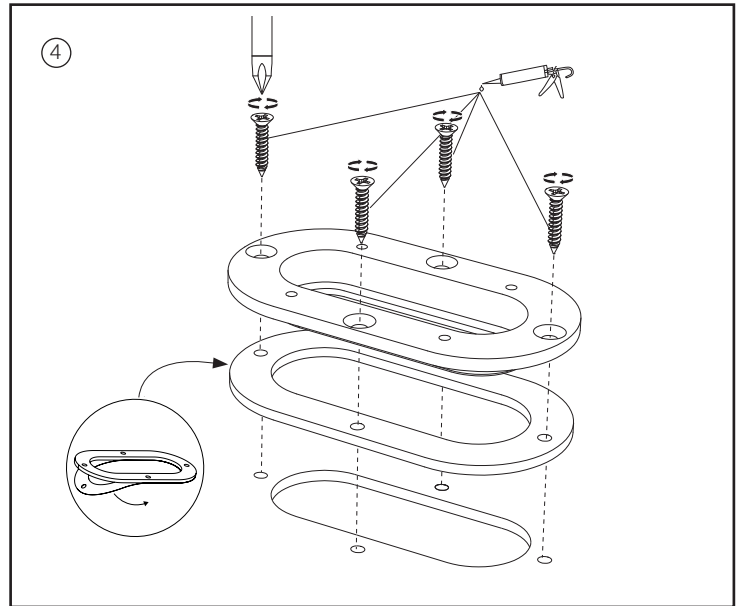
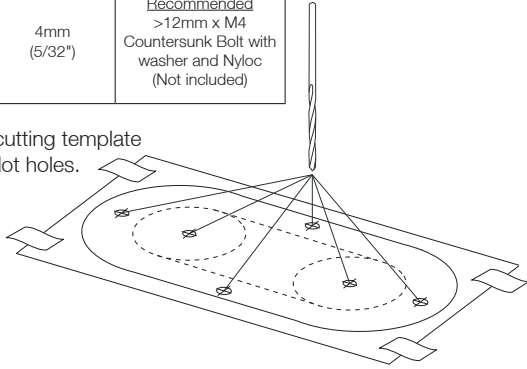
		
Top x1	Base x1	Bung x1
		
Gasket x1	No.6 x 19mm Screw x4	M4 x 6mm Countersunk Bolt x4

Tools Required

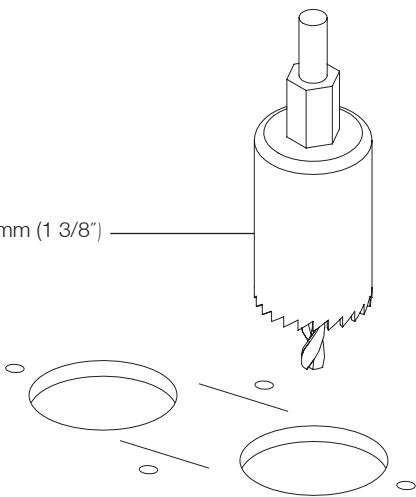
		
ø2.5mm (3/32") ø3mm (1/18") Drill Bit	ø35mm (1 3/8") Hole Saw/Drill Bit	Jig Saw
		
Pozi Screwdriver	Silicone	Optional: Thread Lock

Material	Drill	Fixing
<b>Soft Material</b> e.g. plywood	2.5mm (3/32")	No.6 Screw (Included)
<b>Hard Material</b> e.g. fiberglass, hardwoods, acrylics	3mm (1/8")	
<b>Metal</b> e.g. Steel, aluminium	4mm (5/32")	<u>Recommended</u> >12mm x M4 Countersunk Bolt with washer and Nyloc (Not included)

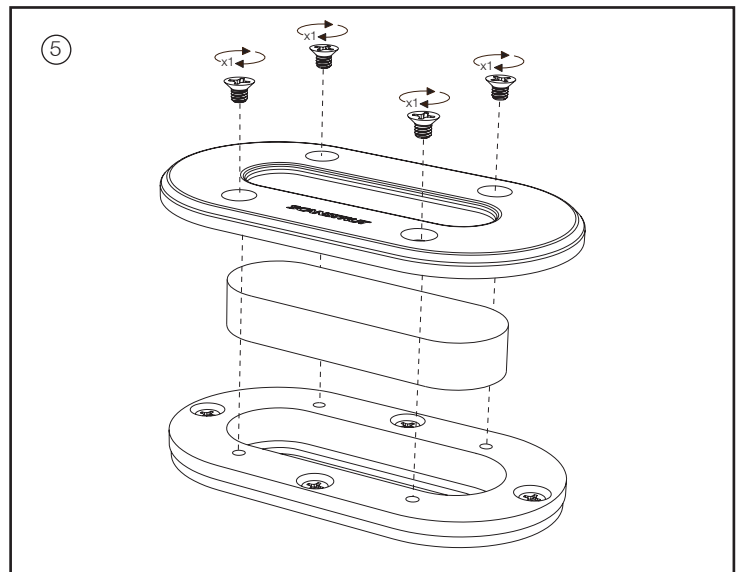
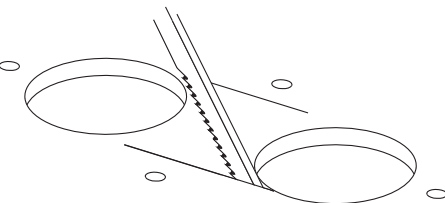
① Tape down cutting template and drill 6 pilot holes.



② 35mm (1 3/8")



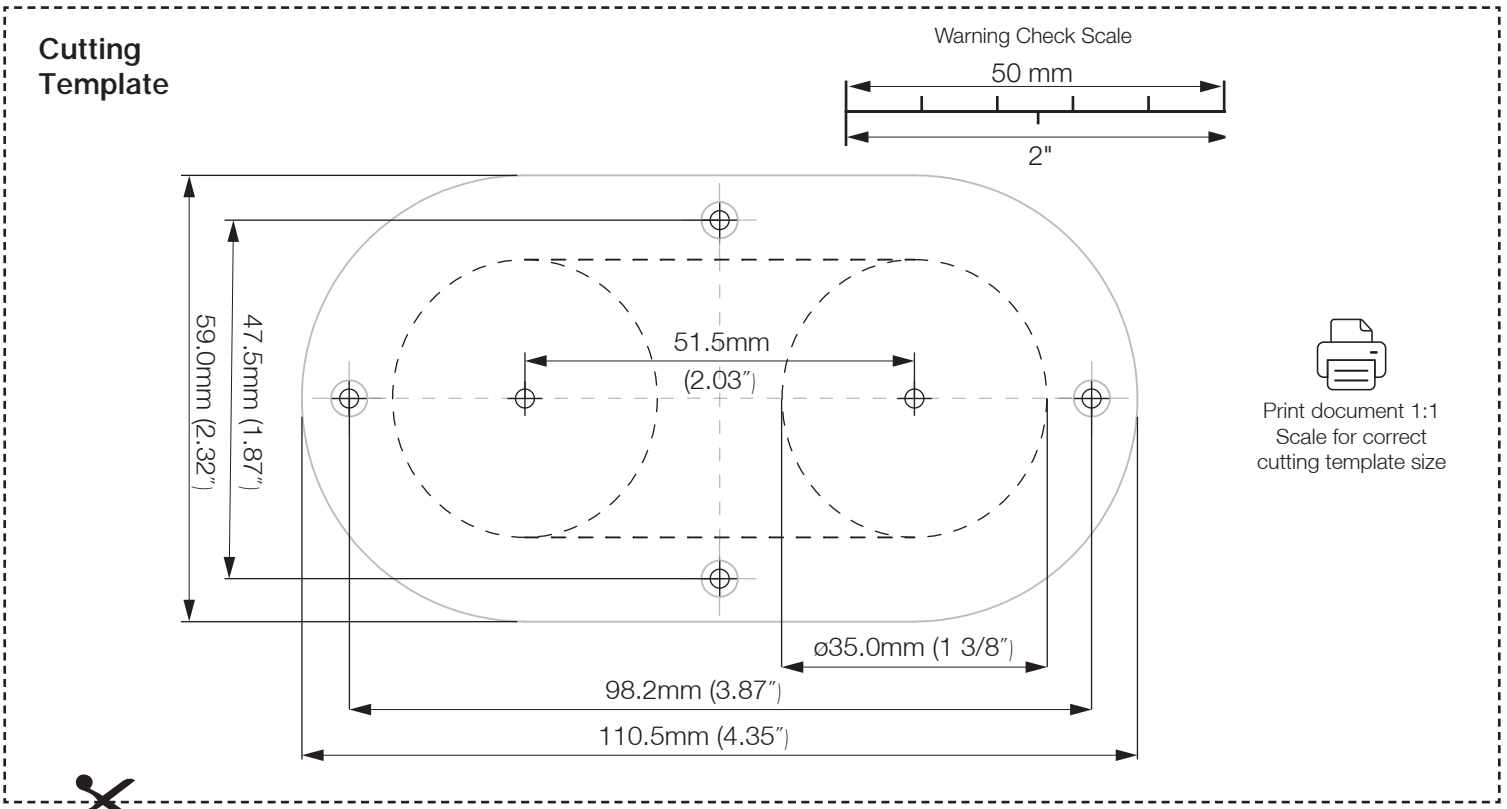
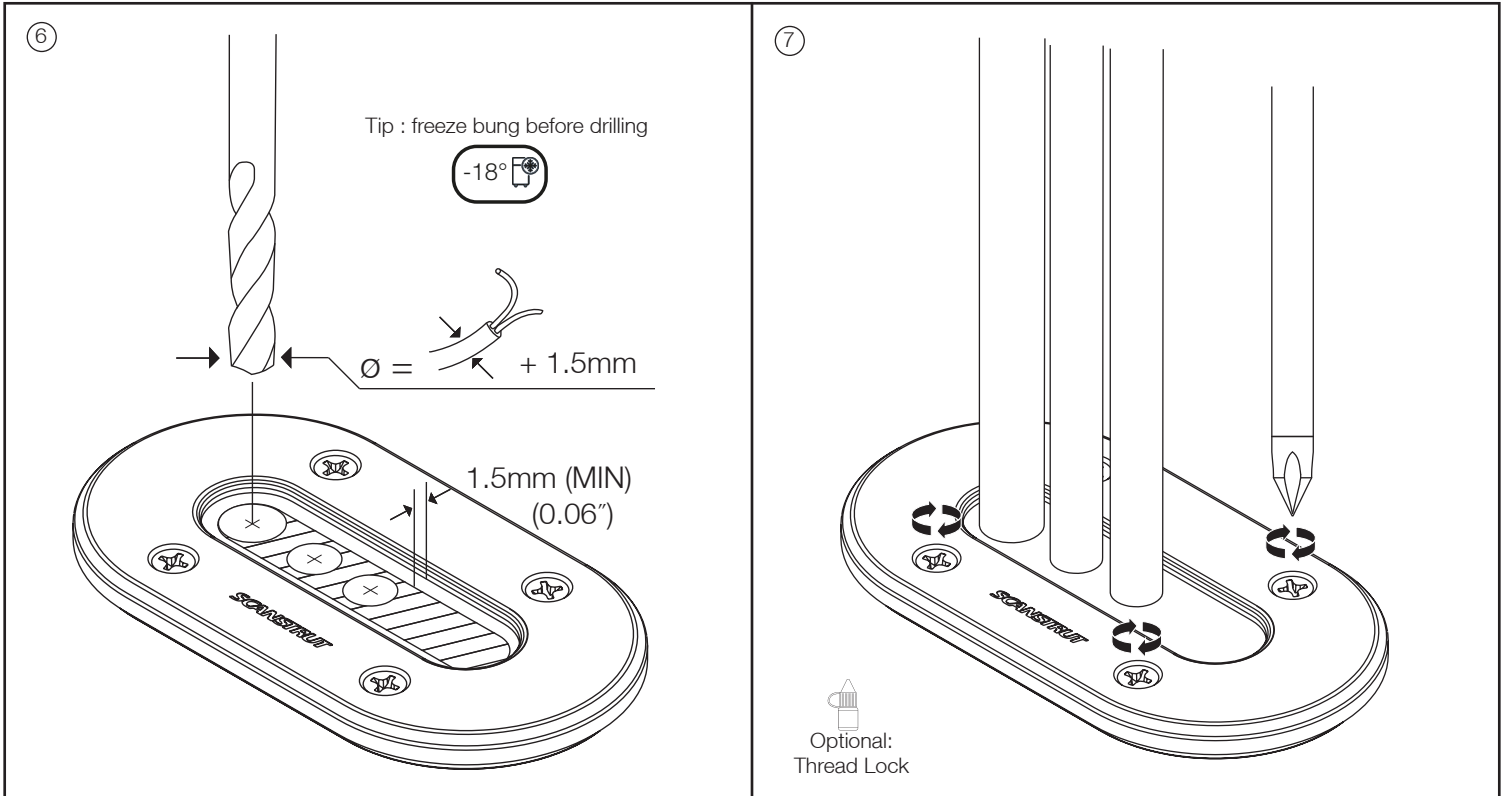
③



UK & International  
+44 (0)1392531280  
sales@scanstrut.com

For further installation  
and warranty information  
please visit:  
www.scanstrut.com

USA  
+1 860 308 1416  
usasales@scanstrut.com



UK & International  
+44 (0)1392531280  
sales@scanstrut.com

For further installation  
and warranty information  
please visit:  
www.scanstrut.com

USA  
+1 860 308 1416  
usasales@scanstrut.com

**SCANSTRUT**