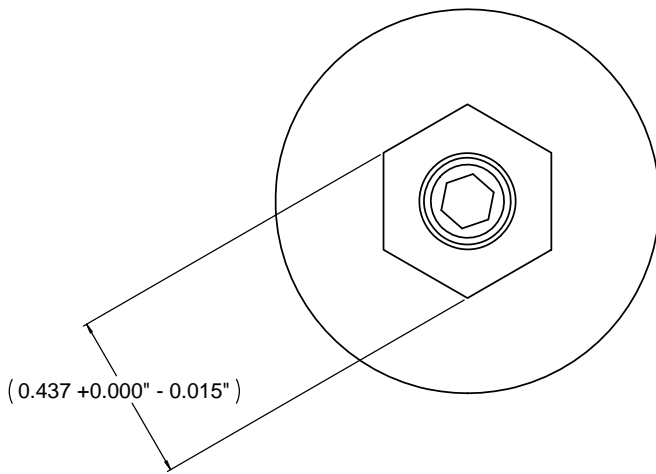
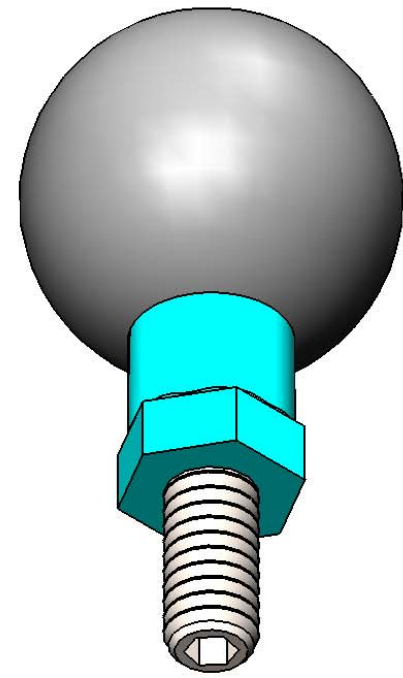
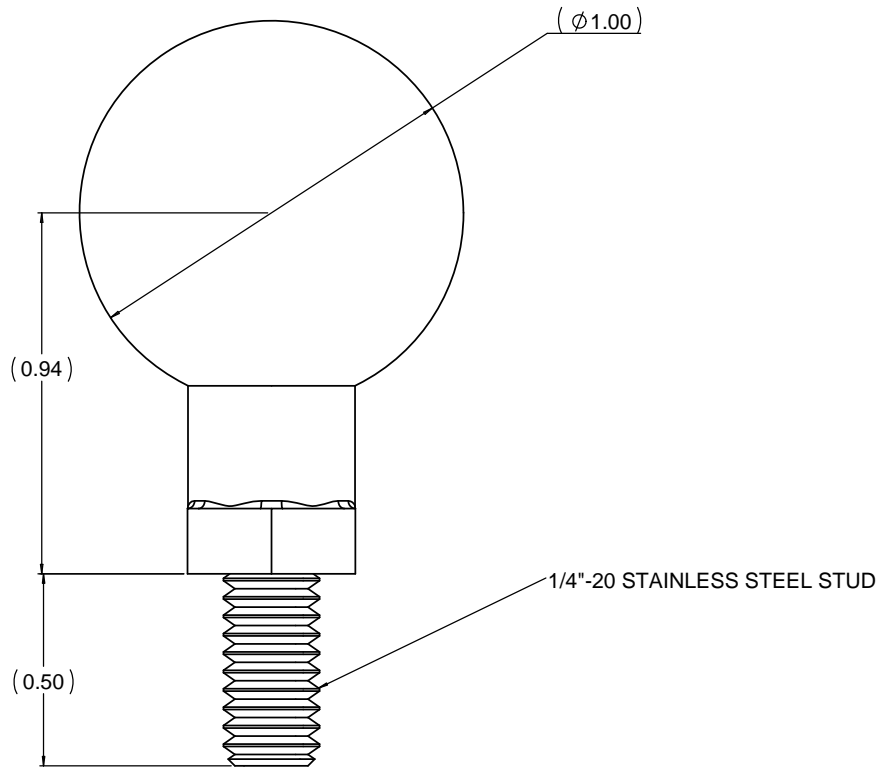


THE INFORMATION CONTAINED IN THIS DRAWING IS THE SOLE PROPERTY OF NATIONAL PRODUCTS INC. ANY REPRODUCTION IN PART OR WHOLE WITHOUT THE WRITTEN PERMISSION OF NATIONAL PRODUCTS INC. IS PROHIBITED.

REVISIONS		DATE	APPROVED
REV	DESCRIPTION		



UNLESS OTHERWISE SPECIFIED DIMENSIONS ARE IN INCHES TOLERANCES ARE: FRACTIONS DECIMALS ANGLES + 1/32 XX + .06 + 1 DEG. XXX + .030	CAD GENERATED DRAWING. DO NOT MANUALLY UPDATE		NATIONAL PRODUCTS INC.	
	APPROVALS	DATE	RAM HEX POST WITH 1" DIA. RUBBER BALL WITH 1/4"-20 X 1/2" LONG STUD	
	DRAWN JDC	04/25/16	ISS	ISS
	CHECKED CMR	04/25/16	SCALE 1 TO 1	CAD FILE: RMR182GG01
MATERIAL ALUMINUM, SST, RUBBER	RESP ENG			REV
TITLE PLAIN	MFG ENG			
DO NOT SCALE DRAWING	QUAL ENG			