

MEGA 360 IMAGING INSTALLATION GUIDE

532684-3_B



 **HUMMINBIRD**

**Accessory
Manual**

Thank You!

Thank you for choosing Humminbird®, the #1 name in marine electronics. Humminbird has built its reputation by designing and manufacturing top-quality, thoroughly reliable marine equipment. Your Humminbird accessory is designed for trouble-free use in even the harshest marine environment. In the unlikely event that your Humminbird does require repairs, we offer an exclusive Service Policy. For complete details, see the separate warranty card included with your unit. We encourage you to read this manual carefully in order to get the full benefit from all the features and applications of your Humminbird product.

Contact Humminbird Technical Support through our Help Center at <https://humminbird-help.johnsonoutdoors.com/hc/en-us>.



WARNING! This device should not be used as a navigational aid to prevent collision, grounding, boat damage, or personal injury. When the boat is moving, water depth may change too quickly to allow time for you to react. Always operate the boat at very slow speeds if you suspect shallow water or submerged objects.



WARNING! The electronic chart in your Humminbird unit is an aid to navigation designed to facilitate the use of authorized government charts, not to replace them. Only official government charts and notices to mariners contain all of the current information needed for the safety of navigation, and the captain is responsible for their prudent use.



WARNING! Humminbird is not responsible for the loss of data files (waypoints, routes, tracks, groups, recordings, etc.) that may occur due to direct or indirect damage to the unit's hardware or software. It is important to back up your fish finder's data files periodically. See your Humminbird operations manual for details.



WARNING! Disassembly and repair of this electronic unit should only be performed by authorized service personnel. Any modification of the serial number or attempt to repair the original equipment or accessories by unauthorized individuals will void the warranty.



NOTE: The illustrations in this manual may not look the same as your product, but your unit will function in a similar way.



NOTE: To purchase accessories for your fish finder, visit our Web site at **humminbird.johnsonoutdoors.com** or contact Humminbird Technical Support through our Help Center at <https://humminbird-help.johnsonoutdoors.com/hc/en-us>.



NOTE: The procedures and features described in this manual are subject to change without notice. This manual was written in English and may have been translated to another language. Humminbird is not responsible for incorrect translations or discrepancies between documents.



NOTE: Product specifications and features are subject to change without notice.



NOTE: Humminbird verifies maximum stated depth in saltwater conditions, however actual depth performance may vary due to transducer installation, water type, thermal layers, bottom composition, and slope.

360 Imaging®, APEX™, CoastMaster®, Fortrex®, HELIX®, Humminbird®, LakeMaster®, Maxxum®, MEGA 360 Imaging®, Minn Kota®, One-Boat Network®, SOLIX®, QUEST™, Ultrex™, and X-Press™ Menu are trademarked by or registered trademarks of Johnson Outdoors Marine Electronics, Inc.

© 2024 Johnson Outdoors Marine Electronics, Inc. All rights reserved.

Table of Contents

Introduction	1
Compatibility.....	1
Supplies.....	3
Update Software	4
Software Requirements.....	4
Check the Current Software Version.....	4
Update Fish Finder Software with an SD Card.....	5
Update Accessory Software with an SD Card.....	6
Update Software with the One-Boat Network App.....	6
Install the Trolling Motor Bracket	8
1. Prepare for Installation.....	8
2. Install the Trolling Motor Bracket.....	9
A. Ultrex Trolling Motor Mount (MEGA 360 Ultrex).....	9
B. Fortrex/Maxxum Trolling Motor Mount (MEGA 360 Fortrex).....	20
3. Route the Cables and Connect Power.....	26
Set Up the Fish Finder	29
1. Confirm Connections.....	29
2. Set Up the Transducer.....	31
3. Test MEGA 360 Imaging on the Fish Finder.....	32
4. Add Offset Features to the MEGA 360 Imaging Display (optional).....	34
5. Set Up the Network.....	35
Power Off	36
Maintenance	37
Fish Finder Maintenance.....	37
Transducer Maintenance.....	38
MEGA 360 Imaging Maintenance.....	38

Table of Contents

Troubleshooting	39
Fishing System Doesn't Power Up	39
Fishing System Defaults to Simulator with a Transducer Attached	40
Finding the Cause of Noise	41
Specifications	42
Contact Humminbird	44

Introduction

This manual will guide you through the following installation requirements for the MEGA 360 Imaging transducer:


- Installing the Trolling Motor Bracket
- Connecting to the Fish Finder and Power
- Testing the Installation
- Powering Off


Before proceeding with this installation, the Humminbird fish finder and Minn Kota trolling motor should be installed.

Compatibility

Fish Finders: MEGA 360 Imaging is compatible with APEX Series, SOLIX Series and HELIX Series fish finders equipped with MEGA Imaging+ and can be mounted on Minn Kota Ultrex, Ultrex QUEST, Fortrex, and Maxxum bow-mount trolling motors.

MEGA 360 Imaging	Minn Kota Trolling Motor	Humminbird Fish Finder
MEGA 360 Ultrex	Minn Kota Ultrex Minn Kota Ultrex QUEST	APEX Series: All models SOLIX Series: SOLIX G2/G3 HELIX Series: HELIX MEGA Imaging+ G3N/G4N models
MEGA 360 Fortrex	Minn Kota Fortrex Minn Kota Maxxum	APEX Series: All models SOLIX Series: SOLIX G2/G3 HELIX Series: HELIX MEGA Imaging+ G3N/G4N models

 **NOTE:** You must have a GPS heading sensor (compass) installed in order to use the MEGA 360 Imaging navigation features.

 **NOTE:** MEGA 360 Imaging can be shared with all APEX/SOLIX models and HELIX G4N, G3N and G2N models over Ethernet.


Transducers: The MEGA 360 Imaging transducer is compatible with the following transducers:

- HW Dual Spectrum
- HW MEGA DI+
- HW MEGA DI+/MEGA SI+
- Built-in MEGA Imaging transducer on a Minn Kota trolling motor

Cables: Your MEGA 360 Imaging transducer comes with the cables required to connect directly to your Humminbird fish finder. This includes a 10' MEGA 360 power cable, a 10' APEX/SOLIX transducer cable, and a 10' HELIX transducer adapter cable.

However, depending on your Humminbird model and system configuration, you may choose to purchase a transducer splitter cable (y-cable) to connect the MEGA 360 to another compatible transducer, as shown below.

MEGA 360 compatible transducer splitter cables (y-cables)	MEGA 360 compatible transducers
MEGA 360 7-pin Transducer Y-cable: 9 M360 2DDI Y (720107-1)	HELIX Dual Spectrum (Type 9 / 7-pin) HELIX MDI+ (Type 9 / 7-pin) HELIX MDI+/MSI+ (Type 9 / 7-pin)
MEGA 360 14-pin Transducer Y-cable: 14 M360 2DDI Y (720108-1)	APEX/SOLIX Dual Spectrum APEX/SOLIX MDI+ APEX/SOLIX MDI+/MSI+ Built-in MEGA Imaging*
*If this cable is being used with a HELIX G3N/G4N with MEGA Side or Down Imaging+ and a Built-in MEGA imaging transducer, then the 720109-1 AD HELIX M360 adapter (included with the MEGA 360) must be attached between this y-cable and the HELIX unit.	

 **NOTE:** If a MEGA SI+ transducer is connected with one of these y-cables, the Humminbird unit will not be able to get SI data from the MEGA SI+ transducer – only HW and MEGA DI+ will be available. However, the user can get MEGA SI data from the MEGA 360 transducer.

Accessories: Additional recommended accessories include a Heading Sensor GPS Puck, a Heading Sensor GPS Adapter (APEX/SOLIX only), and transducer extension cables. For the most current list of compatible accessories, visit our Web site at humminbird.johnsonoutdoors.com.

Supplies

In addition to the hardware included with your accessory, you will need the following supplies:

- Phillips head screwdriver
- Allen wrench
- Hex socket wrench or nut driver
- Cable ties for cable routing
- 1 Amp fuse

Switch (optional): If you do not have a main switch or fuse panel available on your boat to connect power, you will need to purchase a battery switch. See *Install the Trolling Motor Bracket, Section 3: Route the Cables and Connect Power* for more information.

Update Software

Your Humminbird model may need a software update to work with the MEGA 360 Imaging transducer. We recommend that you read the following section completely before starting any software updates.

Software Requirements

- APEX Series: 3.900 or higher
- SOLIX Series: 3.520 or higher
- HELIX Series: 2.130 or higher

Check the Current Software Version

It is helpful to review the software version number that is currently installed on the fish finder and each accessory.

APEX Series

1. Press the HOME key.
2. View the Software Version listed under System Info in the Data Dashboard.

SOLIX Series

3. Press the HOME key.
4. Select Settings.
5. Select Network > Network Info.
6. The Network Info dialog box shows a section for each device connected to the network. Scroll to each section to note the software version number listed.

HELIX Series

1. Press and hold the VIEW key.
2. Select System > System Status.
3. Confirm the Software Version listed.

Update Fish Finder Software with an SD Card

You will need an SD or microSD card (depending on your Humminbird model).



WARNING! Humminbird is not responsible for the loss of data files (waypoints, routes, tracks, groups, snapshots, recordings, etc.) that may occur due to direct or indirect damage to the unit's hardware or software. It is important to back up your fish finder data files periodically. See your Humminbird operations manual for more information.

1. Before the Humminbird software is updated or restored to system defaults, export your navigation data and copy your screen snapshots to an SD or microSD card. See your Humminbird operations manual for instructions.
2. Install a formatted SD or microSD card into the computer card slot.
3. Go to **humminbird.johnsonoutdoors.com**, and click Support > Software Updates.
4. Click on your Humminbird model. The available software updates are listed as downloads under each product. Confirm the file name is for your fish finder model.
 - Read the notices and instructions, and select Download.
 - Follow the on-screen prompts to save the software file to the SD or microSD card.
5. Repeat step 4 to download the software updates posted to each product.
6. Power on your Humminbird fish finder. Start **Normal** mode.
7. Insert the SD or microSD card (with the software file) into the fish finder card slot.
8. Follow the on-screen prompts to update the Humminbird software.
9. When the software update is complete, remove the SD or microSD card from the card slot.
10. **Restart:** If you don't have any other software updates to install, power off the fish finder, and restart it.

Update Accessory Software with an SD Card

You will need an SD or microSD card (depending on your Humminbird model).

1. Install a formatted SD or microSD card into the computer card slot.
2. Go to **humminbird.johnsonoutdoors.com**, and click Support > Software Updates.
3. Scroll down to Accessories and Mapping. The available software updates are listed as downloads under each accessory product. Confirm your fish finder model is listed in the software description.
 - Read the notices and instructions, and select Download.
 - Follow the on-screen prompts to save the software file to the SD or microSD card.
4. Power on your Humminbird fish finder. Start **Normal** mode.
5. Insert the SD or microSD card (with the software file) into the fish finder card slot.
6. **APEX/SOLIX:** Select the Files tool. From the Software Update tab, scroll to MEGA 360 on the Accessories list. Confirm that the most current software version is selected from the list, and select Install Now.
HELIX: The software will be automatically detected. It may take up to two minutes for the software to be detected on the network, and the fish finder will display a dialog box to indicate that the update is in progress.
7. When the software update is complete, remove the SD or microSD card from the card slot.
8. **Restart:** If you don't have any other software updates to install, power off the fish finder, and restart it.

Update Software with the One-Boat Network App

You can use the One-boat Network App to download and push software updates directly to your Humminbird fish finder or accessory.



NOTE: It is important to install the latest software update on your Humminbird to enable all One-Boat Network features. For the latest software update, visit our Web site at **humminbird.johnsonoutdoors.com**.



NOTE: You must first download the One-Boat Network App and pair your mobile device to your fish finder. See the ***One-Boat Network App Operations Guide*** for more information.

Update Humminbird Software

1. Open the One-Boat Network App on your mobile device.
2. From the Home screen, tap Network + Updates.
3. Under Humminbird Units, tap Download Update. The download progress is displayed on the screen.

You can also tap the More Options icon (...) next to the device you want to update, and then tap Download Update.



NOTE: Your update may take several minutes to download. You may close the app while you wait for the download to complete.

4. Once your download is complete, tap Transfer Software.
You can also tap the More Options icon (...) again, and then tap Transfer Software or Delete Software.
5. Confirm the estimated transfer time.
6. Tap the radial button to select where to upload the software update (Internal Storage, SD Card 1 or SD Card 2).



NOTE: You cannot download software updates to an SD or microSD card with CoastMaster or LakeMaster charts saved to it.

7. Tap Start Transfer (Apple iOS) or Transfer (Google Android).
The upload progress is displayed under the selected unit in the One-Boat Network App and in the System Status view on the fish finder.
8. Follow the on-screen prompts on the fish finder to complete the software installation.

Update Accessory Software

1. Open the One-Boat Network App on your mobile device.
2. Tap Network + Updates.
3. Tap Download Update next to the device you want to update. The download progress is displayed on the screen.
4. Tap Transfer Software next to the selected device once the download is complete.

Install the Trolling Motor Bracket

Use the following instructions to install the MEGA 360 Imaging transducer on your Minn Kota trolling motor. It is important to read the instructions completely and understand the mounting guidelines before you start the installation.

1. Prepare for Installation

1. Disconnect the motor from all sources of electrical power.
2. Test run the transducer cable from the chosen mounting location on the trolling motor to the fish finder. Test run the power cable from the chosen mounting location on the trolling motor to the main switch or fuse panel.

It is important to consider the following:

- The MEGA 360 Imaging transducer pod is powered separately from the fish finder. It must be connected to a switch where it can be powered on when the boat is underway and powered off when it is docked.
 - The cables should be routed through an established routing system on the boat, in an area with minimal interference, without sharp edges, obstacles, or obstructions that may damage the cables.
 - The cables will move with the trolling motor when it is deployed and retracted, so it is important to allow enough length for movement.
3. With the trolling motor deployed, the transducer pod has the following installation requirements:
 - The transducer pod should not have anything obstructing the 'view' of the rotating beams (besides the trolling motor and shaft). If possible, move anything to the sides and below the pod that might obstruct the sight line of the rotating beams.
 - The pod must be mounted at least 1" (25.4 mm) off the tip of the propeller.
 - **MEGA 360 Ultrex:** The pod should be submerged 6" (152.4 mm) below the waterline. The height may be adjusted, however, the pod must be mounted 1" (25.4 mm) off the tip of the propeller.

2. Install the Trolling Motor Bracket

Proceed to the installation section of the type of trolling motor bracket you purchased:

A. Ultrex and Ultrex QUEST Trolling Motor Mount (MEGA 360 Ultrex)

OR

B. Fortrex/Maxxum Trolling Motor Mount (MEGA 360 Fortrex)

A. Ultrex Trolling Motor Mount (MEGA 360 Ultrex)



WARNING! Disconnect the motor from all sources of electrical power before you start installation.



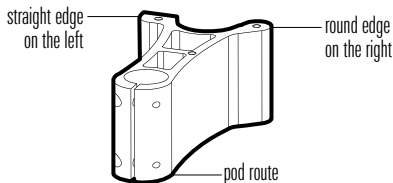
WARNING! Confirm that the trolling motor is properly secured to the boat and will not shift during the installation.

Assemble the Bracket

1. The trolling motor should be in the fully retracted (flat) position on the boat deck for this installation.
2. Disconnect the motor from all sources of electrical power.
3. In addition to the requirements listed in the *Prepare for Installation* section, determine if the bracket will be installed on the left or right side of the trolling motor, so the transducer pod is mounted outboard of the trolling motor and on the centerline of the boat. Determine the mount position from the bow, facing the (forward) direction of travel.

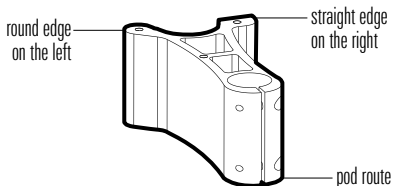
If the trolling motor deploys starboard side (right) on the bow, you will mount the bracket on the left side of the trolling motor. Position the bracket so the straight edge faces to the left as shown in the illustration.

Positioning the Bracket for Installation on the Left Side of Trolling Motor



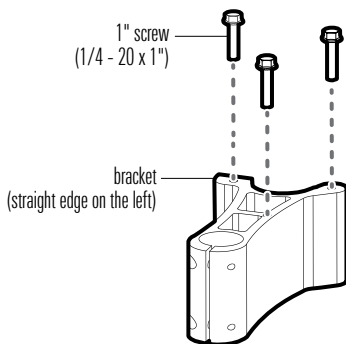
If the trolling motor deploys port side (left) on the bow, you will mount the bracket on the right side of the trolling motor. Position the bracket so the straight edge faces to the right as shown in the illustration.

Positioning the Bracket for Installation on the Right Side of Trolling Motor



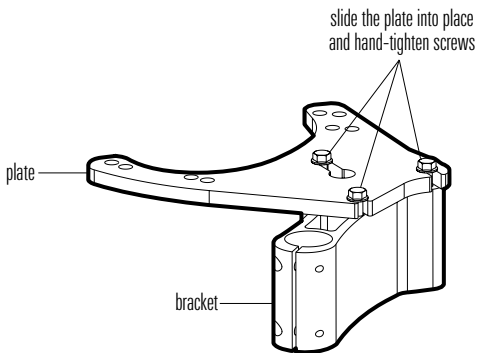
4. Install the (3) 1/4-20 x 1" screws into the threaded holes on the bracket as shown in the illustration. Do not fully tighten.

Installing the Screws onto the Bracket



5. Align the center hole of the plate over the left screw (left side installation) or right screw (right side installation).
6. Lower the plate onto the screw head, and slide the screw into the plate slot. Slide the other two screws into the outside slots on the plate. If the plate does not slide easily into place, flip it over.

Securing the Plate and Bracket



7. Hand-tighten the screws using a 3/8" socket wrench. **Hand-tighten only!**

Install the Bracket

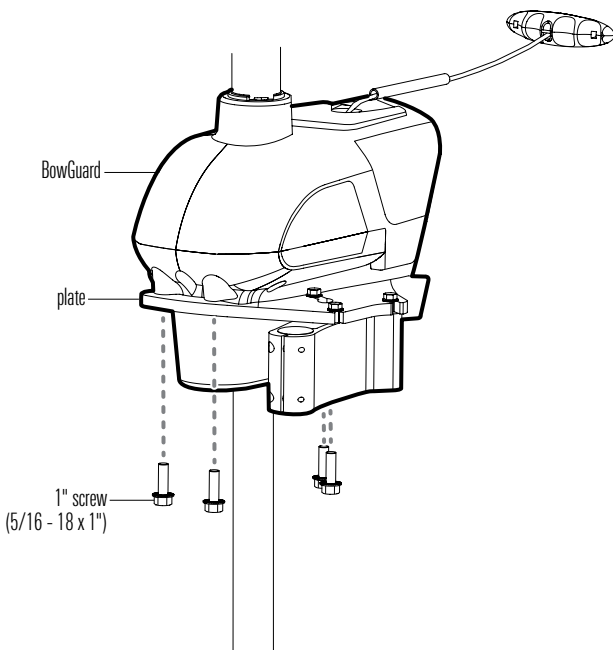
As determined in the **Assemble the Bracket** section, the bracket can be mounted on the left or right side of the trolling motor.

1. Align the plate below the BowGuard. Line up the holes on the plate with the threaded holes on the BowGuard. There are two sets of hole patterns, one for the Ultrex and one for the Ultrex QUEST.

The Ultrex will line up with the inner most hole pattern. The Ultrex QUEST will line up with the outer most hole pattern.

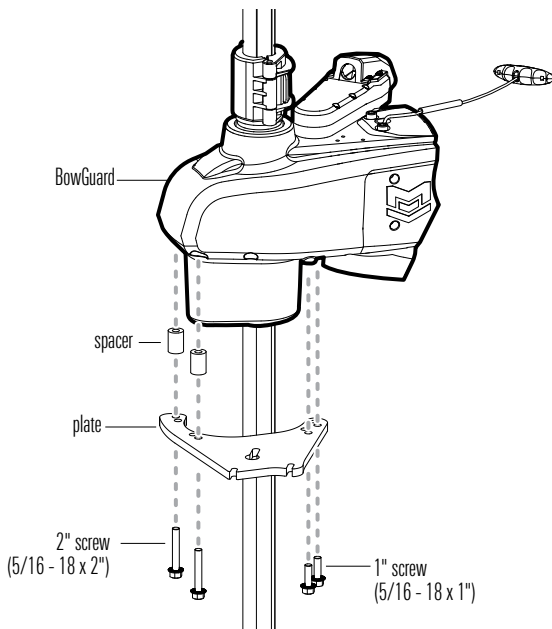
- 2a. **Ultrex:** Install the (4) 5/16-18 x 1" screws through the plate and into the BowGuard. Hand-tighten using a 1/2" wrench or socket until secure (see the illustration **Installing the Bracket on the Ultrex**). **Hand-tighten only!**

Installing the Bracket on the Ultrex



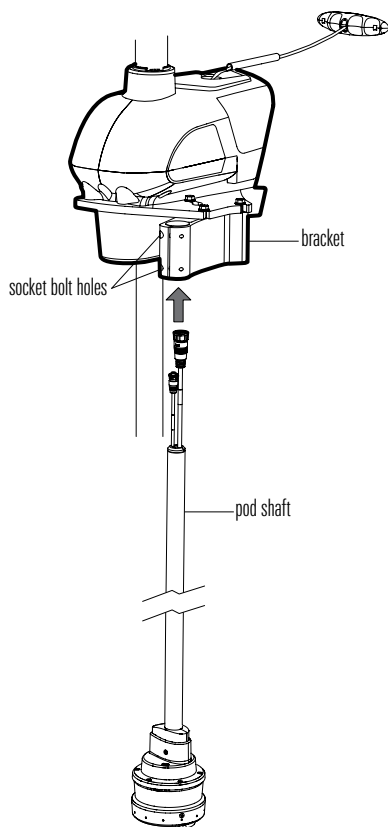
- 2b. **Ultrix QUEST:** Install the (2) 5/16-18 x 2" screws through the plate and spacers and into the front of the BowGuard. Install the (2) 5/16-18 x 1" screws through the plate and into the back of the BowGuard. Hand-tighten using a 1/2" wrench or socket until secure (see the illustration *Installing the Bracket on the Ultrix Quest*). **Hand-tighten only!**

Installing the Bracket on the Ultrix QUEST



3. Route the cables and pod shaft up through the trolling motor bracket.
4. Use an Allen wrench (not included) to install the (2) 10-32 x 9/16" socket bolts on the bracket where the pod shaft is installed.
5. Tighten the bolts so the pod shaft is fully secure and won't drop when it is deployed in the next step. **Hand-tighten only!**

Routing the Cables and Pod Shaft



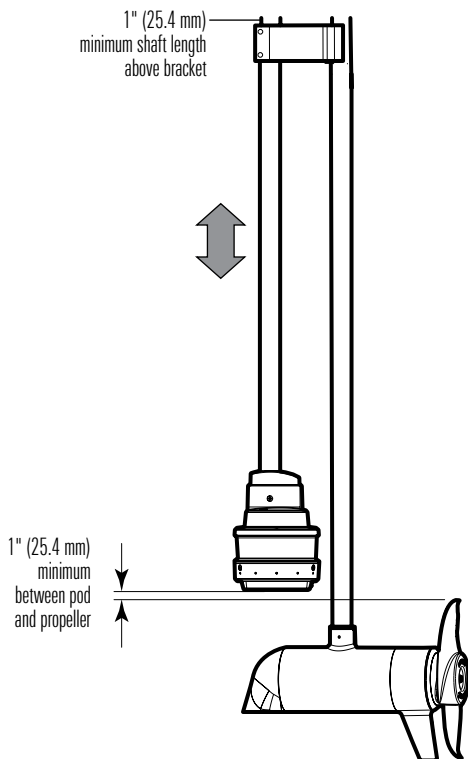
Adjust the Pod Height

1. Deploy the Trolling Motor.
2. Loosen the socket bolts on the bracket where the pod shaft is installed. Adjust the pod shaft up or down, so it meets the following height requirements:
 - The pod must be mounted approximately 6" (152.4 mm) below the waterline.
 - The pod must be mounted at least 1" (25.4 mm) off the tip of the propeller.
 - The pod shaft needs to protrude at least 1" to 2" (25.4 mm to 50.8 mm) above the bracket when it is installed.



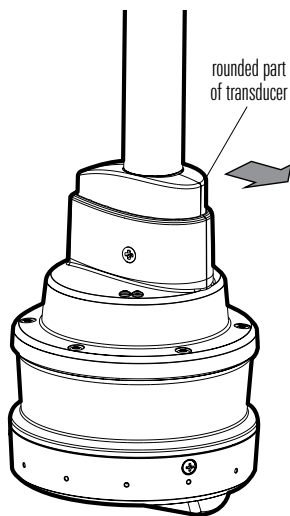
WARNING! DO NOT INSTALL THE POD TOO CLOSE TO THE PROPELLER. If the pod is installed too close to the propeller, it will be damaged. Ensure there is at least 1" of clearance between the pod and the propeller. MEGA 360 damage caused by the pod being installed too close to the trolling motor's propeller is **NOT** covered by the product warranty.

Adjusting the Pod Height (at least 1" from the tip of the propeller)



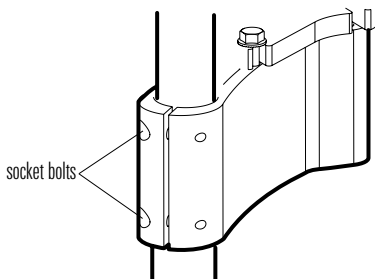
3. Turn the pod shaft until the rounded end of the transducer points in the direction of travel. The centerline of the transducer should be parallel with the centerline of the boat. See the illustration *Aligning the Transducer*.

Aligning the Transducer



4. When the transducer position is finalized, hand-tighten the socket bolts equally and completely so the pod shaft is fully secure and won't drop or rotate during operation. Tighten each bolt an additional 1/4 or 1/2 turn. **Hand-tighten only!**

Hand-Tightening the Socket Bolts

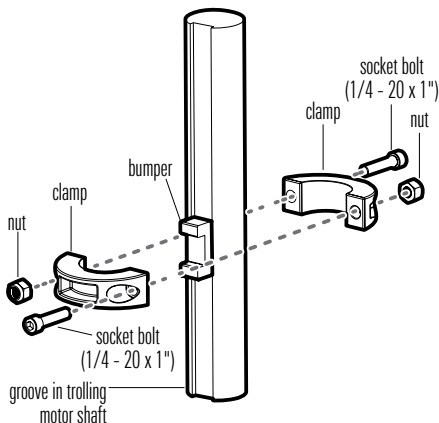


Install the Collar Clamp

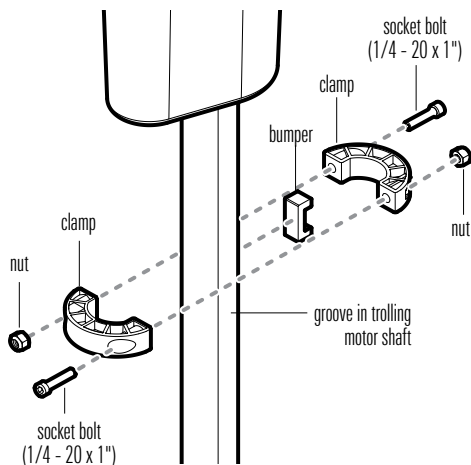
After you have established the pod height is no closer than 1 inch from the tip of the propeller, install the collar clamp to prevent the trolling motor from hitting the transducer pod.

1. Select the appropriate collar clamp for the trolling motor. Use the 1.3" collar clamp for the Ultrex and the 1.5" collar clamp for the Ultrex QUEST.
2. Apply anti-seize to the end of each 1" socket bolt (1/4-20 x 1").
3. Install a 1" socket bolt (1/4-20 x 1") into the hole on 1 clamp half.
4. Place the bumper into the groove of the trolling motor shaft. Center one clamp half over the bumper as shown in the illustration.
5. Install the clamp (half) and hex nut (1/4-20) onto the trolling motor shaft as shown in the illustrations. Repeat on the other side.

Installing the Collar Clamp on the Ultrex



Installing the Collar Clamp on the Ultrex QUEST



6. Use an Allen wrench (not included) to tighten the hardware just enough to keep the collar assembled.
7. Slide the collar up to the base of the BowGuard.
8. Use an Allen wrench (not included) to fully tighten the socket bolts until they are secure. **Hand-tighten only!**

Details: Tighten the socket bolts and collar clamp hardware evenly on both sides of the clamp until you feel them start to compress and secure, and then tighten each bolt an additional 1/4 to 1/2 turn.



WARNING! The socket bolts must be tightened completely to prevent the trolling motor from potentially damaging the pod. **Hand-tighten only!**

B. Fortrex/Maxxum Trolling Motor Mount (MEGA 360 Fortrex)

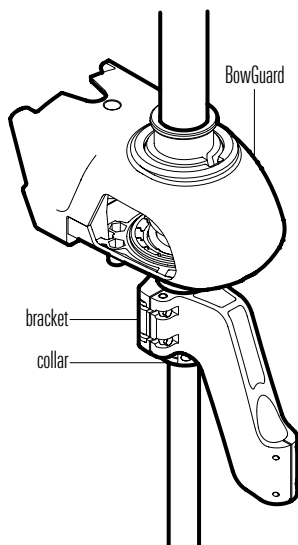
WARNING! Disconnect the motor from all sources of electrical power before you start installation.

WARNING! Confirm that the trolling motor is properly secured to the boat and will not shift during the installation.

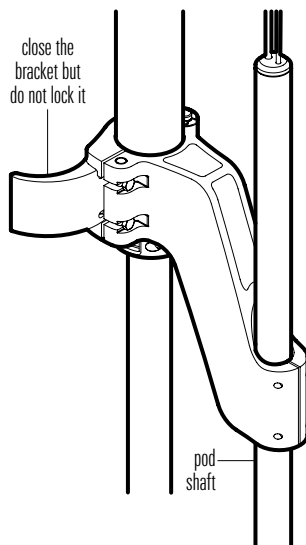
The trolling motor should be in the fully retracted (flat) position on the boat deck for this installation.

1. Align the bracket below the BowGuard and slightly above the collar. Close the bracket, but do NOT lock it.
2. Route the cables and pod shaft up through the smaller hole on the trolling motor bracket.

Aligning the Bracket



Routing the Cables and Pod Shaft



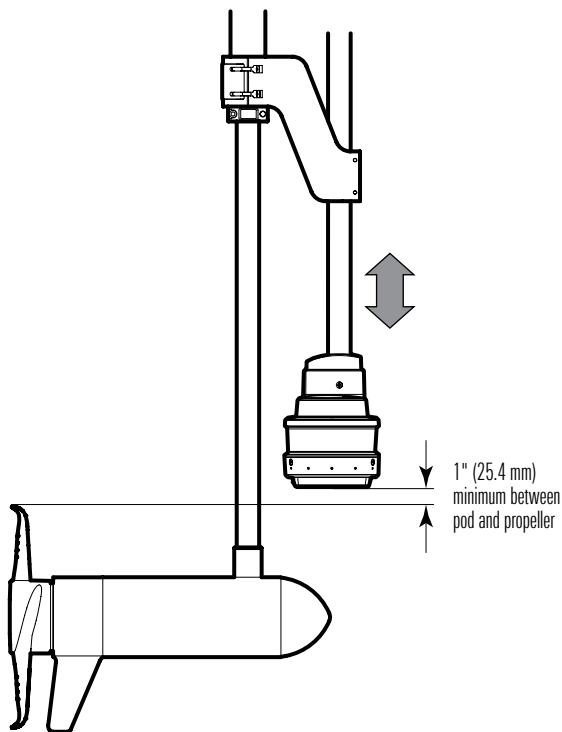
- Adjust the pod shaft up or down, so the pod is at least 1" (25.4 mm) off the tip of the propeller.



WARNING! DO NOT INSTALL THE POD TOO CLOSE TO THE PROPELLER.

If the pod is installed too close to the propeller, it will be damaged. Ensure there is at least 1" of clearance between the pod and the propeller. MEGA 360 damage caused by the pod being installed too close to the trolling motor's propeller is **NOT** covered by the product warranty.

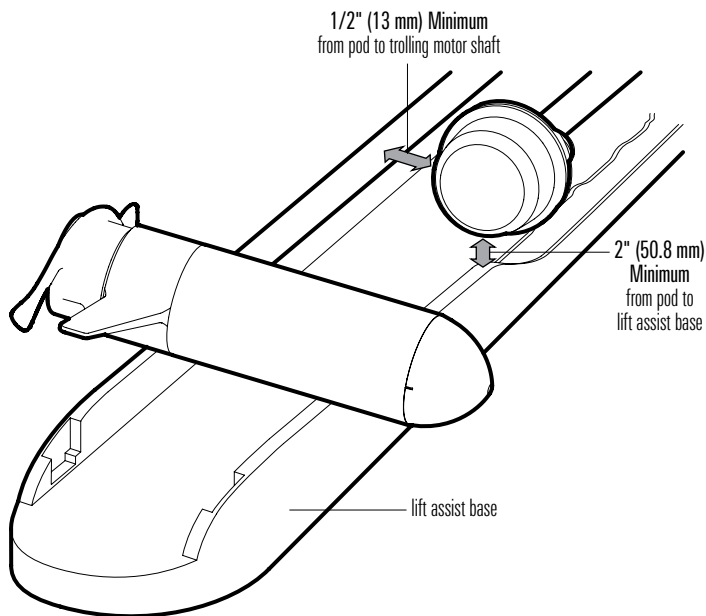
**Adjusting the Pod Height
(at least 1" from the tip of the propeller)**



- Pivot the bracket until the pod is at least 2" (50.8 mm) from the lift assist base and at least 1/2" (13 mm) from the trolling motor shaft. See the illustration *Measuring the Safety Distance of the Pod and Positioning the Bracket*.

⚠ WARNING! The pod must not hit the trolling motor shaft, lift assist base, or any objects. These measurements are also critical during transport when the pod is stowed with the trolling motor.

Measuring the Safety Distance of the Pod



- Close the bracket lock.

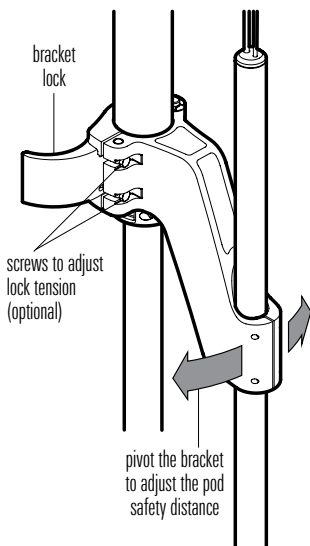
🔧 NOTE: For a secure installation, it should take significant force to lock down the bracket. The bracket lock can be tightened by adjusting the tightness of the screws (see the illustration *Positioning the Bracket*). If you adjust the screws, make sure you adjust each screw equally.

6. Use an Allen wrench (not included) to install the (2) 10-32 x 5/8" hex socket bolts on the bracket where the pod shaft is installed (see the illustration *Securing the Pod*).

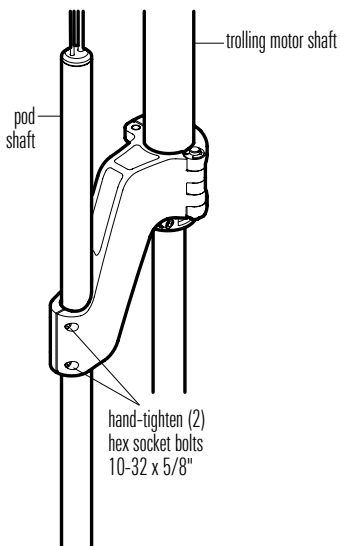
Tighten the bolts so the pod shaft is fully secure and won't drop when it is deployed in the next step. Hand-tighten only!

7. Deploy the Trolling Motor.

Positioning the Bracket



Securing the Pod



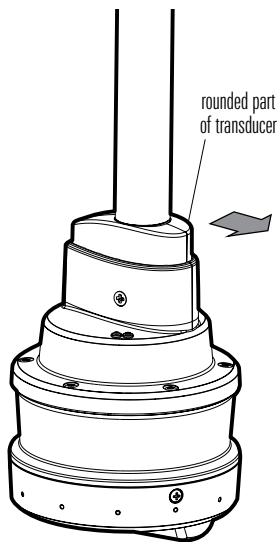
- Turn the pod shaft until the rounded end of the transducer points in the direction of travel. The centerline of the transducer should be parallel with the centerline of the boat. See the illustration *Aligning the Transducer*.



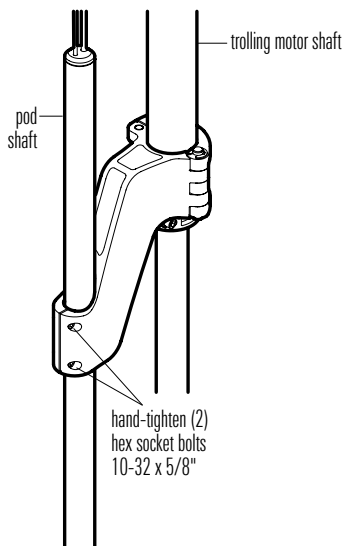
NOTE: You might need to loosen the hex socket bolts to adjust the transducer alignment.

- When the transducer position is finalized, hand-tighten the hex socket bolts completely so the pod shaft is fully secure and won't drop or rotate during operation. **Hand-tighten only!**

Aligning the Transducer




Confirming the Pod is Secure

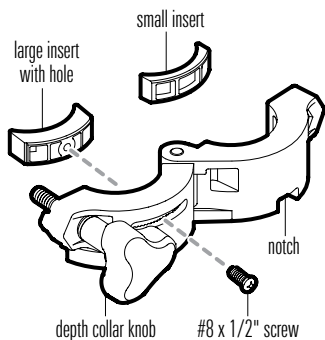


- Above the BowGuard, unscrew the Depth Collar Knob to remove the clamp.

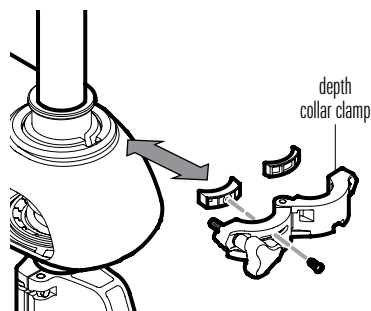
11. Install the large insert into the slotted side of the clamp. Use a Phillips screwdriver to install the #8-1/2" screw through the clamp and large insert (see the illustration *Installing the Inserts*).
12. Install the small insert into the solid side of the clamp. Hold it in place, and re-install the clamp and Depth Collar Knob. Make sure the clamp notch is facing down and fits onto the collar node (see the illustrations *Installing the Inserts* and *Re-installing the Depth Collar Knob*).
13. Fully hand-tighten the Depth Collar Knob.

 **WARNING!** The Depth Collar knob must be tightened fully to prevent the bracket from rotating and potentially damaging the pod. **Hand-tighten only!**


Installing the Inserts



Re-installing the Depth Collar Knob




3. Route the Cables and Connect Power


 **WARNING!** The power source must be turned off before you proceed with this installation.


1. Connect the power cable to the power cable connector on the pod shaft, and connect the transducer cable to the transducer cable connector on the pod shaft.


The connectors are keyed to prevent reversed installation, so be careful not to force the connectors. Hand-tighten the screw nuts on each connector.

 **NOTE:** If you are connecting the MEGA 360 Imaging transducer and another compatible transducer to the same fish finder, you will need to purchase a transducer splitter cable (y-cable). See *Compatibility* for the list of cables, and visit our Web site at [www.https://humminbird.johnsonoutdoors.com/us/support/networking-diagrams](https://humminbird.johnsonoutdoors.com/us/support/networking-diagrams) to view the wiring diagrams.

2. Route the cables to the side of the trolling motor, over the bow, to the chosen connection locations in *Section 1: Prepare for Installation*. Leave sufficient slack in the cables to allow for full movement of the trolling motor during normal operation.

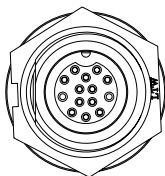
 **CAUTION!** Do NOT mount the cables where the connectors could be submerged in water or flooded. If cables are installed in a splash-prone area, it may be helpful to apply dielectric grease to the inside of the connectors to prevent corrosion. Dielectric grease can be purchased separately from a general hardware or automotive store.

 **NOTE:** The cables should be routed through an established routing system on the boat, in an area with minimal interference. Inspect the selected route carefully to ensure that there are no sharp edges, obstacles, or obstructions that may damage the cables.

 **NOTE:** If you are routing your MEGA 360 transducer and power wires near or on the trolling motor, you must ensure that they are installed in a location that they will not be cut or ripped by the trolling motor articulating or rotating. Wires damaged by improper installation are **NOT** covered by the product warranty.

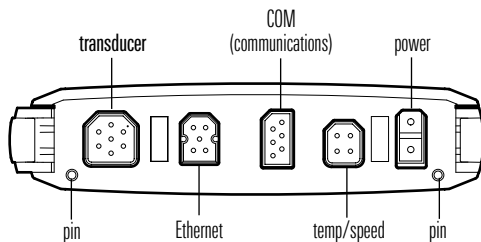
3. **APEX/SOLIX:** Insert the other end of the transducer cable to the sonar port on the fish finder. Hand-tighten the screw nut.

APEX/SOLIX Sonar Port



HELIX: Insert the transducer adapter cable to the transducer port on the HELIX fish finder.

HELIX 8, 9, 10, 12, 15 Cable Tray



4. **Power:** Route the power cable to the main switch or fuse panel (usually located near the console). If you must connect to a battery, connect to a battery switch (not included).



WARNING! The MEGA 360 Imaging transducer should be connected to a main switch, fuse panel, or battery switch. Humminbird does not recommend connecting to a battery without a fuse and a switch.



CAUTION! Some boats have 24 or 36 Volt electric systems, but the MEGA 360 Imaging transducer **MUST** be connected to a 12 VDC power supply.



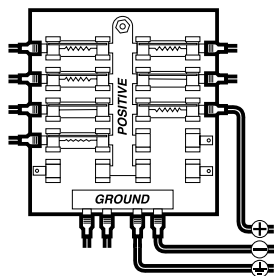
NOTE: A 10' (3 m) power cable is included to supply power to the MEGA 360 Imaging transducer. You may shorten or lengthen the cable using 18 gauge multi-stranded copper wire.



NOTE: Humminbird is not responsible for over-voltage or over-current failures. The MEGA 360 Imaging transducer must have adequate protection through the proper selection and installation of a 1 Amp fuse.

- 5a. **Main Switch/Fuse Panel:** If a fuse terminal is available, use crimp-on type electrical connectors (not included) that match the terminal on the fuse panel. Attach the black wire to ground (-), and the red wire to positive (+) 12 VDC power, and the drain/shield wire to the boat's chassis ground terminal. Install a 1 Amp fuse (not included) for protection of the unit.

Connecting to the Fuse Panel



OR

- 5b. **Battery Switch:** Install the battery switch (not included) using the instructions provided with it. You will also need to obtain and install an inline fuse holder and a 1 Amp fuse (not included) for the protection of the unit. Attach the black wire to ground (-), the red wire to positive (+) 12 VDC power, and the drain/shield wire to the boat's chassis ground terminal.



WARNING! If you are unable to obtain a battery switch and are forced to connect the power cable directly to the battery, be aware that this will drain the battery. Humminbird does not recommend connecting to a battery without the appropriate fuse and a switch.




NOTE: The drain/shield wire is the non-tinned black wire.

6. Secure the cables with cable ties along the route as needed for a clean assembly.

Set Up the Fish Finder

When the fish finder detects the MEGA 360 Imaging transducer, it will select it automatically as the 360 sonar source. The related views and menus will be added to the system.





Use the following instructions to power on the fish finder and confirm the MEGA 360 Imaging transducer is detected by the unit.

 **CAUTION!** It is important to finish all installation connections before powering on the fish finder.

1. Confirm Connections

APEX/SOLIX Series

1. Turn on the power source from the main switch.
2. On the fish finder, press and hold the POWER key. **If you are powering on a fish finder in a multiple-fish finder Ethernet network**, power on the fish finder that is connected to the MEGA 360 Imaging transducer first.
3. Select Normal mode.
4. Review the status bar in the top, right corner of the screen to confirm the sensor status for the MEGA 360 Imaging transducer is connected.

MEGA 360 Status Icon	Icon Description
	Connected/In Water/Pinging: The MEGA 360 is connected, in the water, and pinging.
	Connected/In Water/Not Pinging: The MEGA 360 is connected and in the water, but it is not pinging.
	Connected/Out of Water: The MEGA 360 is connected, but the wet indicator is out of the water.
	Connection Lost: The connection to the MEGA 360 was lost.



NOTE: For additional system status, select Home > Settings > Network > System Info.

MEGA 360 Imaging Transducer Connected (SOLIX)

The screenshot shows the 'Settings' menu with 'Network' selected. The 'System Info' screen displays the following details:

System Info		Total Time: 53 h
Model:	SOLIX 12 MSI+ G2	Serial Number: 190716030180
Unit Name:	190716030180	IP Address: 10.111.238.31
Software Version:	3.5200/30/19 17.23	MAC Address: 2C:6B:7D:E1:83:54
Network Name:	NET:190716030180	
Internal GPS:	Fix	
NMEA 0183 (1):	GPS,Hdg,Pitch and Roll	
NMEA 0183 (2):	Not Connected	
NMEA 2000:	Not Connected	
Transducer:	2D/D/S/MEGA 360	
MEGA 360:	V1.020;S/N:19082901-1010	
Sonar Temp:	Connected	
Speed (Paddle Wheel):	Not Connected	
Aux Temp:	Not Connected	
Master Unit:	---	

At the bottom of the screen, a status bar shows: Depth: 11.3 ft, Voltage: V, Position: N 34°6.260', W 84°12.381', Time/Date: 9:32:38, 10/4/2019.

Annotations in the image point to the 'MEGA 360' icon on the status bar and the 'MEGA 360 Imaging listed as transducer' entry in the system info.

HELIX Series

1. Turn on the power source from the main switch.
2. On the fish finder, press the POWER key. **If you are powering on a fish finder in a multiple-fish finder Ethernet network**, power on the fish finder that is connected to the MEGA 360 Imaging transducer first.
3. When the Title screen is displayed, press the MENU key.
4. Select Normal. Press the RIGHT Cursor key.
5. Press and hold the VIEW key. Select System > Accessory Test. Confirm that **MEGA 360 Imaging** is listed as Connected.



NOTE: If the Accessory Test is not displayed in the View Rotation, press the MENU key twice to open the Main Menu. Select the Views tab > Accessory Test. Change the setting to Visible.

HELIX Accessory Test

		Accessory Test	
Temp.1 °F	72.2	360 Imaging	UNCONNECTED
		BT Talon	UNCONNECTED
N 34°06.248'		GPS	CONNECTED
	W 084°12.385'	i-Pilot	UNCONNECTED
Time	7:01	MEGA 360 Imaging v1.040 S/N: 19082901-0072	CONNECTED
		NMEA2K Gateway	UNCONNECTED
Speed mph	0.2	Radar	UNCONNECTED
		Remote	UNCONNECTED
VLT TV	13.4	Speed	UNCONNECTED
		Temperature	CONNECTED

MEGA 360 Imaging listed as Connected

2. Set Up the Transducer

APEX/SOLIX Series

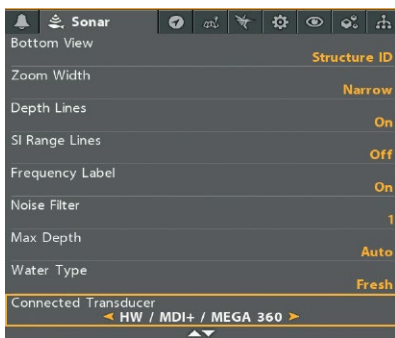
Your APEX/SOLIX fish finder will automatically detect the connected transducers. To review the selected sonar sources, open the Settings tool, and select CHIRP Sonar > Sonar Source.

HELIX Series

Use the following instructions to select the connected transducer for your fish finder. These steps are only required the first time you set up your HELIX fish finder with a new transducer.

1. **Main Menu:** Press the Menu key twice.
2. Select the Sonar tab > Connected Transducer.
3. Press the RIGHT or LEFT Cursor keys to scroll through the compatible transducers. Select the transducer that is attached to the fish finder.

Selecting the Connected Transducer (HELIX)



3. Test MEGA 360 Imaging on the Fish Finder

It is important to confirm that the MEGA 360 Imaging transducer is providing sonar returns to the display. The instructions in this section should be performed at trolling speeds in calm, open water, in a large area that is far from shallow water, boats, or other obstacles.

⚠ WARNING! The pod should NOT be in the water during high speed travel. The pod should only be deployed when the boat is traveling at trolling speeds.

APEX/SOLIX Series

1. Tap the View widget icon in the side bar.



NOTE: Once the MEGA 360 has been detected the first time, the 360 Imaging view will display on the Favorite Views widget.

2. Tap 360 Imaging.
3. The sonar returns from the MEGA 360 scan will begin to display on the MEGA 360 View. Review the display for the following information and see the illustration *Reviewing the 360 View*.
 - **Bottom:** Confirm that the bottom is visible on-screen.
 - **Blocked Beams:** If the beams hit a hard surface, it will appear as bright white on the display. If the beams are blocked by any objects, move the objects if possible. You can also adjust the 360 Range on the X-Press Menu to see more or less detail on the display. In some cases, the trolling motor will appear on the display as a shadow.

4. **Stop Pinging:** When you are finished reviewing the operation, tap Ping Off from the 360 status bar.

HELIX Series

1. Press and hold the VIEW key.
2. Select Sonar > 360 View.
3. The sonar returns from the MEGA 360 scan will begin to display on the MEGA 360 View. Review the display for the following information and see the illustration *Reviewing the 360 View*.
 - **Bottom:** Confirm that the bottom is visible on-screen.
 - **Blocked Beams:** If the beams hit a hard surface, it will appear as bright white on the display. If the beams are blocked by any objects, move the objects if possible. You can also adjust the 360 Range on the X-Press Menu to see more or less detail on the display. In some cases, the trolling motor will appear on the display as a shadow.
4. **Stop Pinging:** When you are finished reviewing the operation, press the MENU key once. Select 360 Pinging, and press the LEFT Cursor key.

Reviewing the 360 View




4. Add Offset Features to the MEGA 360 Imaging Display (optional)

The menu settings in this section are helpful for interpreting the position of objects on the 360 View. This feature is only available with a connected heading sensor (compass).

Adjust the 360 Heading Offset

If the positions of objects on the MEGA 360 Imaging display are slightly different than what you observe in the environment around you, use 360 Heading Offset to correct the alignment of the MEGA 360 Imaging display.

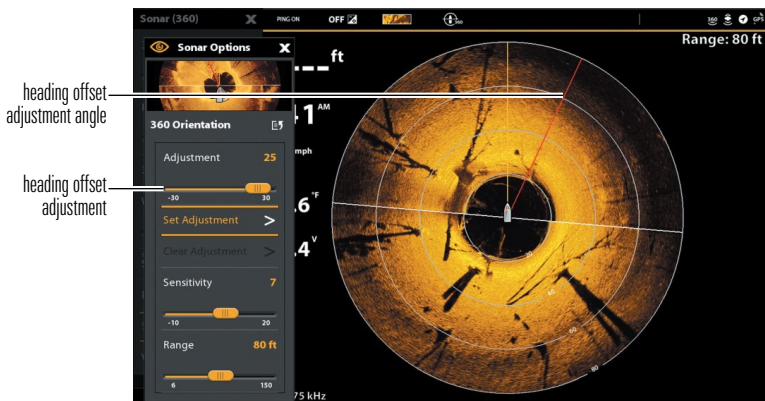
For example, if there is an object in the water that is displayed on the left side of the MEGA 360 View, but you can see that it is straight ahead, you can use this setting to rotate the display.

 **NOTE:** This menu option should be adjusted while the MEGA 360 Imaging transducer is pinging.

APEX/SOLIX Series

1. With a MEGA 360 View displayed on-screen, tap Sonar (360) in the status bar or press the MENU key once.
2. Select Sonar Options > Preferences > 360 Orientation.
3. Press and hold the slider under Adjustment to change the angle (red line).

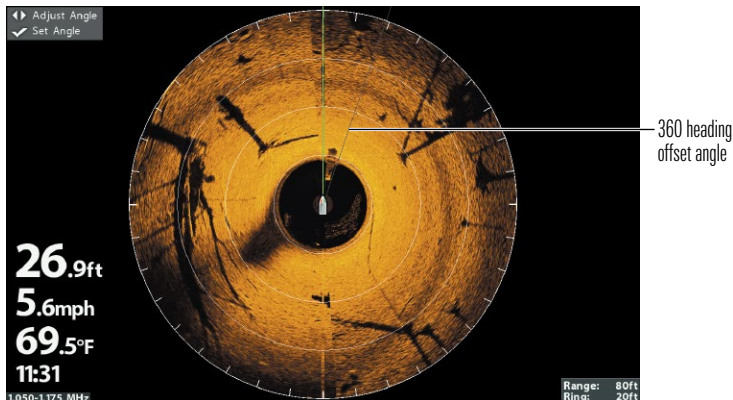
MEGA 360 Imaging Heading Offset (SOLIX)



HELIX Series

1. **Main Menu:** Press the MENU key twice.
2. Select the Accessories tab > MEGA 360 Settings > 360 Heading Offset.
3. Press the RIGHT or LEFT Cursor keys to change the angle (gray line), and press the CHECK/INFO key to confirm your setting. The zero point on the display is represented by a green line.


MEGA 360 Imaging Heading Offset (HELIX)



5. Set up the Network

After you have confirmed all connections, the MEGA 360 Imaging transducer is ready to use on the water. Proceed to your *MEGA 360 Operations Manual* to set up the depth source, temperature source, and additional sonar sources.


Power Off

 **WARNING!** When the boat is stored or at dock, the MEGA 360 Imaging transducer must be turned off to prevent draining the battery.

Power Off the Fish Finder

1. **APEX/SOLIX Series:** During operation, tap the top, right corner of the status bar or press the POWER key, and select Power Off.

HELIX Series: Press and hold the POWER key.

 **CAUTION!** Turning off the fish finder will NOT power off the MEGA 360 Imaging transducer.

2. Turn off power on the main switch, breaker, or battery switch.

Powering off the MEGA 360 Imaging transducer will be determined by the installation and power connection on your boat.

Travel with the Pod Installed

1. Confirm the Depth Collar Knob is fully tightened (by hand).
2. The pod must not hit the trolling motor shaft, base, or any objects. This is also critical during transport or when the trolling motor is stowed. Check the stability of the trolling motor bracket after initial use and periodically thereafter to ensure that the installation and lock remain stable.

For measurement requirements, see *Install the Trolling Motor Bracket*.

Maintenance

Your Humminbird fish finder is designed to provide years of trouble free operation with very little maintenance. Use the following procedures to ensure your Humminbird continues to deliver top performance.

Fish Finder Maintenance

It is important to consider the following precautions when using your Humminbird fish finder:

- **Chemicals**, such as those found in bug spray and sunscreen, may cause permanent damage to the fish finder screen. Such damage is not covered by the warranty.
- **NEVER leave the fish finder in a closed car or trunk.** The high temperatures generated in hot weather can damage the electronics.

Use the following information to keep the fish finder and screen clean.

- **Screen:** To clean the fish finder screen, use a mild soap (such as a nonabrasive liquid hand soap) and warm water. Wipe the screen dry with a soft cloth. Be careful to avoid scratching the screen. If water spots remain, use a solution of water and vinegar.



WARNING! Do not use a chemical glass cleaner on the screen. Chemicals in the solution may cause cracking in the lens of the unit.



NOTE: Do not wipe the screen while dirt or grease is on the screen.

- **Fish Finder:** If the fish finder comes into contact with salt spray, wipe the affected surfaces with a cloth dampened with fresh water.

Transducer Maintenance

Use the following information to maintain the transducer operation.

- If your boat remains in the water for long periods of time, algae and other marine growth can reduce the effectiveness of the transducer. Periodically clean the face of the transducer with a cloth dampened with fresh water.
- If your boat remains out of the water for a long period of time, it may take some time to wet the transducer when it is returned to the water. Small air bubbles can cling to the surface of the transducer and interfere with proper operation. These bubbles dissipate with time, or you can wipe the face of the transducer with your fingers after the transducer is in the water.

MEGA 360 Imaging Maintenance

Use the following information to maintain the installation of the MEGA 360 Imaging Transducer.

- Check the stability of the trolling motor bracket after initial use and periodically thereafter to ensure that the installation and lock remain stable.
- If your boat will be in long-term storage, remove the MEGA 360 Imaging pod shaft from the bracket and store it in -40°F to 158°F (-40°C to 70°C), dry conditions.

Troubleshooting

Before contacting the Humminbird Technical Support, please read the following section. Taking the time to review these troubleshooting guidelines may allow you to solve a performance problem yourself, and therefore avoid sending your unit back for repair.

Fishing System Doesn't Power Up

If your fish finder doesn't power up, use the installation guide that is included with your fish finder to confirm specific details, making sure that:

- the power cable is properly connected to the fish finder,
- the power cable is wired correctly, with red to positive battery terminal and black to negative terminal or ground, and the drain/shield wire to the boat's chassis ground terminal,
- the fuse is operational, and
- the battery voltage of the power connector is at least 12 Volts.

Correct any known problems, including removing corrosion from the battery terminals or wiring, or actually replacing the battery if necessary.

Fishing System Defaults to Simulator with a Transducer Attached

In addition to the MEGA 360 Imaging accessory transducer, you will have a standard Humminbird transducer connected to the fish finder. A connected and functioning transducer with built-in temperature will cause the newly-started Fishing System to go into Normal operating mode automatically. If, when you power up the Fishing System, it goes into Simulator mode automatically, even though a transducer is already connected, this means that the fish finder is not detecting the transducer. Perform the following troubleshooting tasks:

- Check the connections of all transducers that are connected to the fish finder or Ethernet network. See the transducer installation guide that was included with your Fishing System for connection information.
- Review this MEGA 360 Imaging installation guide to confirm that the transducer cable is connected correctly to the Fishing System. Reconnect if necessary, and power on the Fishing System again to see if this fixes the problem.
- Replace the non-functioning transducer with a known good transducer if available and power up the fish finder again.
- Check the transducer cable. Replace the transducer if the cable is damaged or corroded.

Finding the Cause of Noise

Electrical noise usually affects the display with streaks or repetitive patterns on the view. One or more of the following sources can cause noise or interference:

Possible Source of Noise	Isolation
Other electronic devices	Turn off any nearby electronic devices to see if the problem goes away, then turn them on one at a time to see if the noise re-appears.
Other sonar devices	Turn off any nearby sonar devices to see if the problem goes away, then turn them on one at a time to see if the noise re-appears.
The boat's engine	To determine whether the boat's engine is the source of the noise, increase the RPMs while the boat is in neutral and stationary to see if the noise increases proportionately; if noise appears when you rev the engine, the problem could be the spark plugs, alternator, or tachometer wiring. Replace the spark plugs with resistor plugs, install an alternator filter, or route the fish finder power and transducer cables away from the engine wiring.

Specifications

Operating Frequency.....	455 kHz / MEGA
Area of Coverage	455 kHz / MEGA: (2) 90° @ -10 dB
Power Output.....	500 Watts (RMS), 4000 Watts (Peak to Peak)
Power Requirement	10 to 18 VDC
Current Draw	0.5 A maximum
Operating Temperature.....	-4°F to 158°F (-20°C to 70°C)
Storage Temperature	-40°F to 158°F (-40°C to 70°C)



NOTE: Humminbird verifies maximum stated depth in saltwater conditions, but actual depth performance may vary due to transducer installation, water type, thermal layers, bottom composition and slope.



NOTE: Product specifications and features are subject to change without notice.

ROHS STATEMENT: Product designed and intended as a fixed installation or part of a system in a vessel may be considered beyond the scope of Directive 2002/95/EC of the European Parliament and of the Council of 27 January 2003 on the restriction of the use of certain hazardous substances in electrical and electronic equipment.

ENVIRONMENTAL COMPLIANCE STATEMENT: It is the intention of Johnson Outdoors Marine Electronics, Inc. to be a responsible corporate citizen, operating in compliance with known and applicable environmental regulations, and a good neighbor in the communities where we make or sell our products.

WEEE DIRECTIVE: EU Directive 2002/96/EC “Waste of Electrical and Electronic Equipment Directive (WEEE)” impacts most distributors, sellers, and manufacturers of consumer electronics in the European Union. The WEEE Directive requires the producer of consumer electronics to take responsibility for the management of waste from their products to achieve environmentally responsible disposal during the product life cycle.

WEEE compliance may not be required in your location for electrical & electronic equipment (EEE), nor may it be required for EEE designed and intended as fixed or temporary installation in transportation vehicles such as automobiles, aircraft, and boats. In some European Union member states, these vehicles are considered outside of the scope of the Directive, and EEE for those applications can be considered excluded from the WEEE Directive requirement.



This symbol (WEEE wheelie bin) on product indicates the product must not be disposed of with other household refuse. It must be disposed of and collected for recycling and recovery of waste EEE. Johnson Outdoors Marine Electronics, Inc. will mark all EEE products in accordance with the WEEE Directive. It is our goal to comply in the collection, treatment, recovery, and environmentally sound disposal of those products; however, these requirements do vary within European Union member states. For more information about where you should dispose of your waste equipment for recycling and recovery and/or your European Union member state requirements, please contact your dealer or distributor from which your product was purchased.

Contact Humminbird

Contact Humminbird Technical Support through our Help Center at <https://humminbird-help.johnsonoutdoors.com/hc/en-us> or in writing to the address below:

Humminbird Service Department
678 Humminbird Lane
Eufaula AL 36027 USA

Social Media Resources:



Facebook.com/HumminbirdElectronics



Twitter.com (@humminbirdfish)



Instagram.com/humminbirdfishing



YouTube.com/humminbirdtv

