

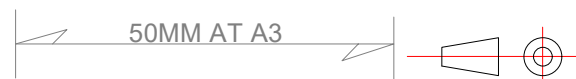
Dimensions : Millimetres [Inches]  
 Estimated weight: 0,46 kg (1,01 lbs)

TITLE: <b>101-003-FB</b> 1m Combined sidelight Mounting Option from Top (Standard)					
DRAWING No.:				Sheet No.:	DRAWN BY:
101-003-FB				1	LSA
SCALE:	SIZE:	REV. NO.:	TOLERANCES:	REVIEWED BY:	CREATION DATE:
1 : 2	A3		DS/ISO 2768-f		12-01-2024
MATERIAL DESCRIPTION:					
Alu. EN6082, Acrylic, POM <small>(20µ) Silver anodized according to EN ISO 7599          (50µ) Black anodized according to MIL-A 8625F</small>					
This Drawing, and the information within, is the property of Lopolight ApS and may not be used in any form without express permission there from. Lopolight reserves the right to change this drawing and assumes no liability for the information communicated herein. Use of dimensions and other information in this drawing is at the users own risk.					

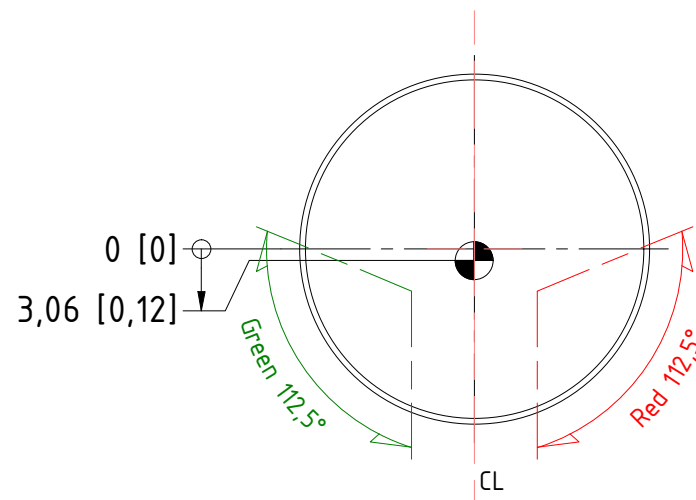
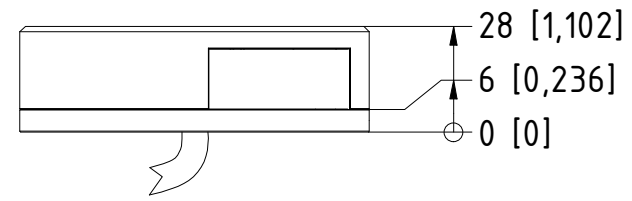
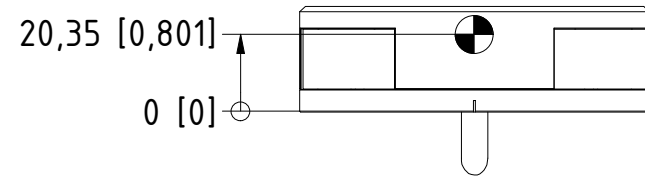
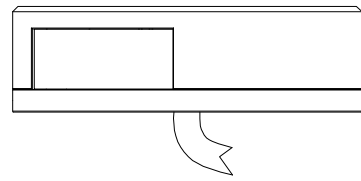
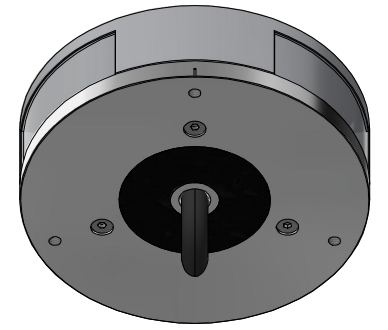
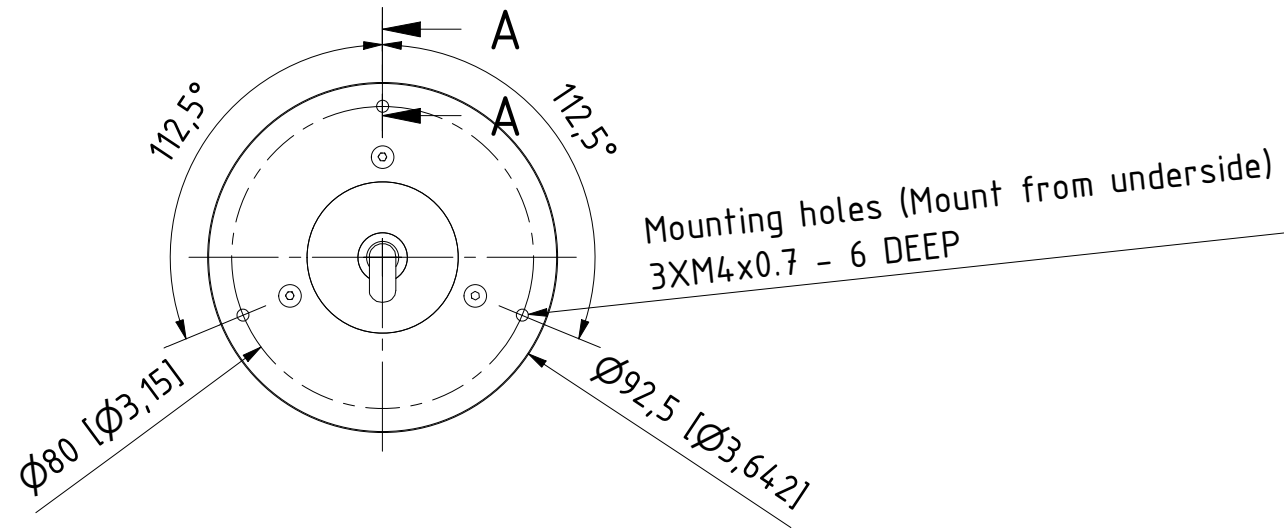
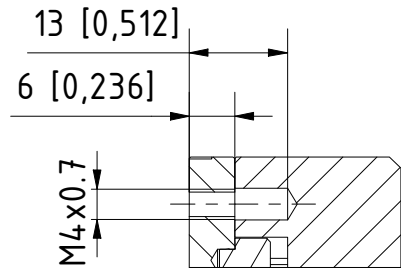


Lopolight ApS  
 Bakkegaardsvej 513  
 DK-3050, Humlebaek  
 Denmark  
 www.lopolight.com

Tel: (+45) 32 48 50 30  
 info@lopolight.com



A-A  
View for bolt hole



Dimensions : Millimetres [Inches]  
Estimated weight:0,38 kg (0,84 lbs)

TITLE: 101-003-FB 1nm Combined sidelight Mounting Option from underside					
DRAWING No.: 101-003-FB				Sheet No.: 2	DRAWN BY: LSA
SCALE: 1 : 2	SIZE: A3	REV. NO.:	TOLERANCES: DS/ISO 2768-f	REVIEWED BY:	CREATION DATE: 12-01-2024
MATERIAL DESCRIPTION: Alu. EN6082, Acrylic <small>(20µ) Silver anodized according to EN ISO 7599 (50µ) Black anodized according to MIL-A 8625F</small>					
This Drawing, and the information within, is the property of Lopolight ApS and may not be used in any form without express permission there from. Lopolight reserves the right to change this drawing and assumes no liability for the information communicated herein. Use of dimensions and other information in this drawing is at the users own risk.					



Lopolight ApS  
Bakkegaardsvej 513  
DK-3050, Humlebaek  
Denmark  
www.lopolight.com

Tel:(+45) 32 48 50 30  
info@lopolight.com

