

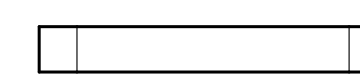
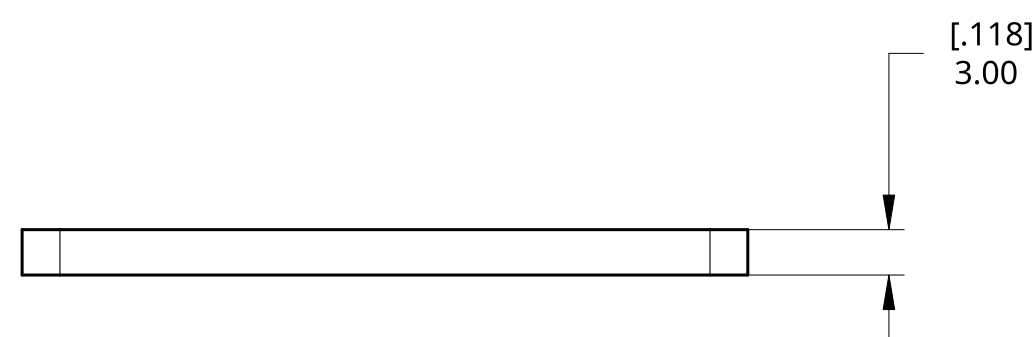
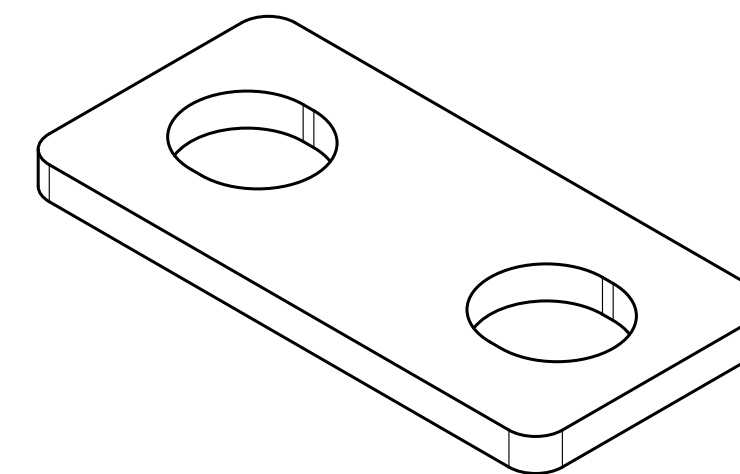
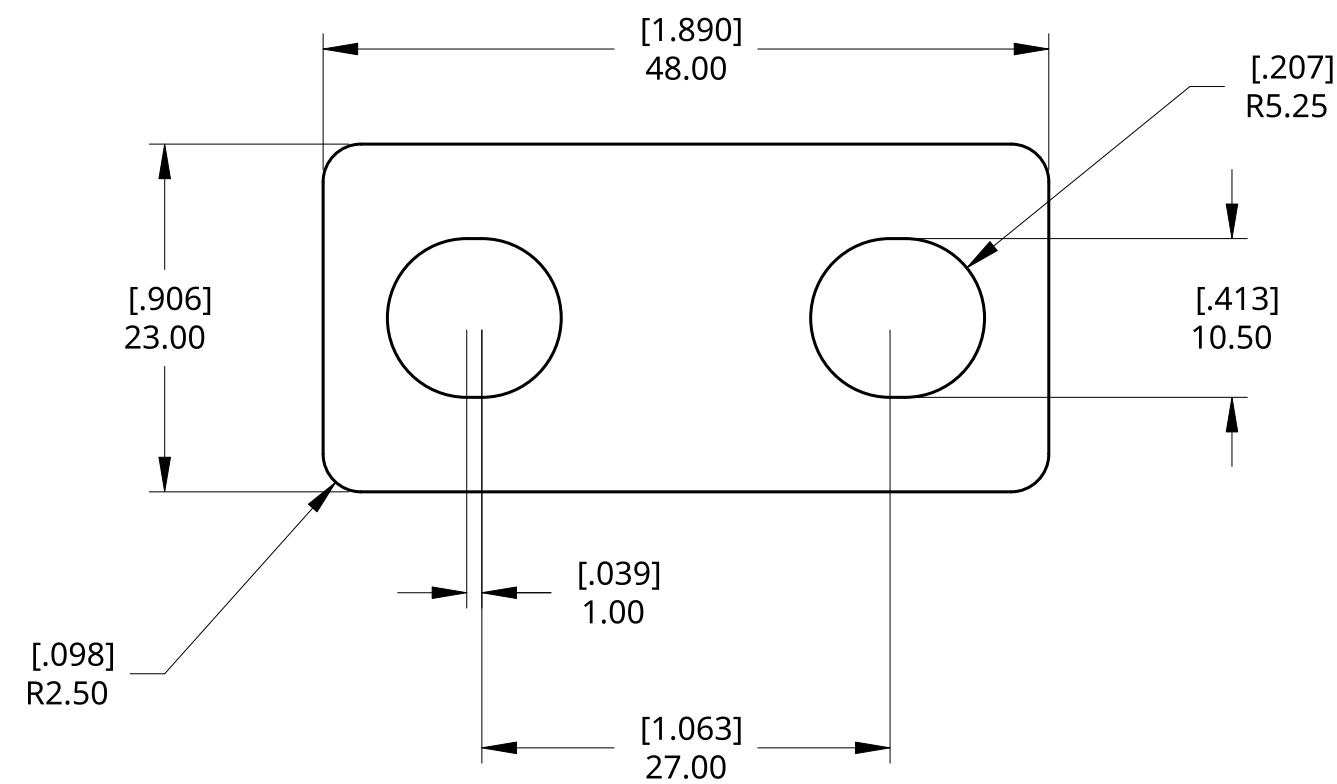
4

3

2

1


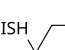
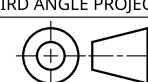
REVISIONS				
ZONE	REV.	DESCRIPTION	DATE	APPROVED
	a	RELEASE FOR PRODUCTION	6/8/21	E. GRAHAM



NOTES:

1. MATERIAL: COPPER C110 ETP OR EQUIVALENT ONLY IF APPROVED IN WRITING
2. FINISH: TIN PLATING 3 MICRO-METERS THICK
3. PACKAGING STACK AND BAG IN POLYBAG
4. BREAK ALL SHARP / PROTRUDING EDGES

 CRITICAL TO DESIGN

UNLESS OTHERWISE SPECIFIED, DIMENSIONS ARE IN MILLIMETERS .XX = ±.13 .XXX = ±.050	DRAWN	Eric Graham	06/10/2021	 Egis Mobile Electric 3135 Mercer Ave, Ste 102 Bellingham, WA 98225, USA
	CHECKED			
	APPROVED			
	SURFACE FINISH 			
DO NOT SCALE DRAWING				TITLE
BREAK ALL SHARP EDGES AND REMOVE BURRS				901702 - LINK BUS
THIRD ANGLE PROJECTION				SIZE C DWG NO.
 THIS DRAWING AND THE INFORMATION CONTAINED WITHIN IT ARE CONFIDENTIAL AND MAY NOT BE COPIED OR DISCLOSED WITHOUT THE WRITTEN PERMISSION OF EGIS MOBILE ELECTRIC.				SCALE NTS WEIGHT SHEET 1 of 1

4

3

2

1

D

D

C

C

B

B

A

A