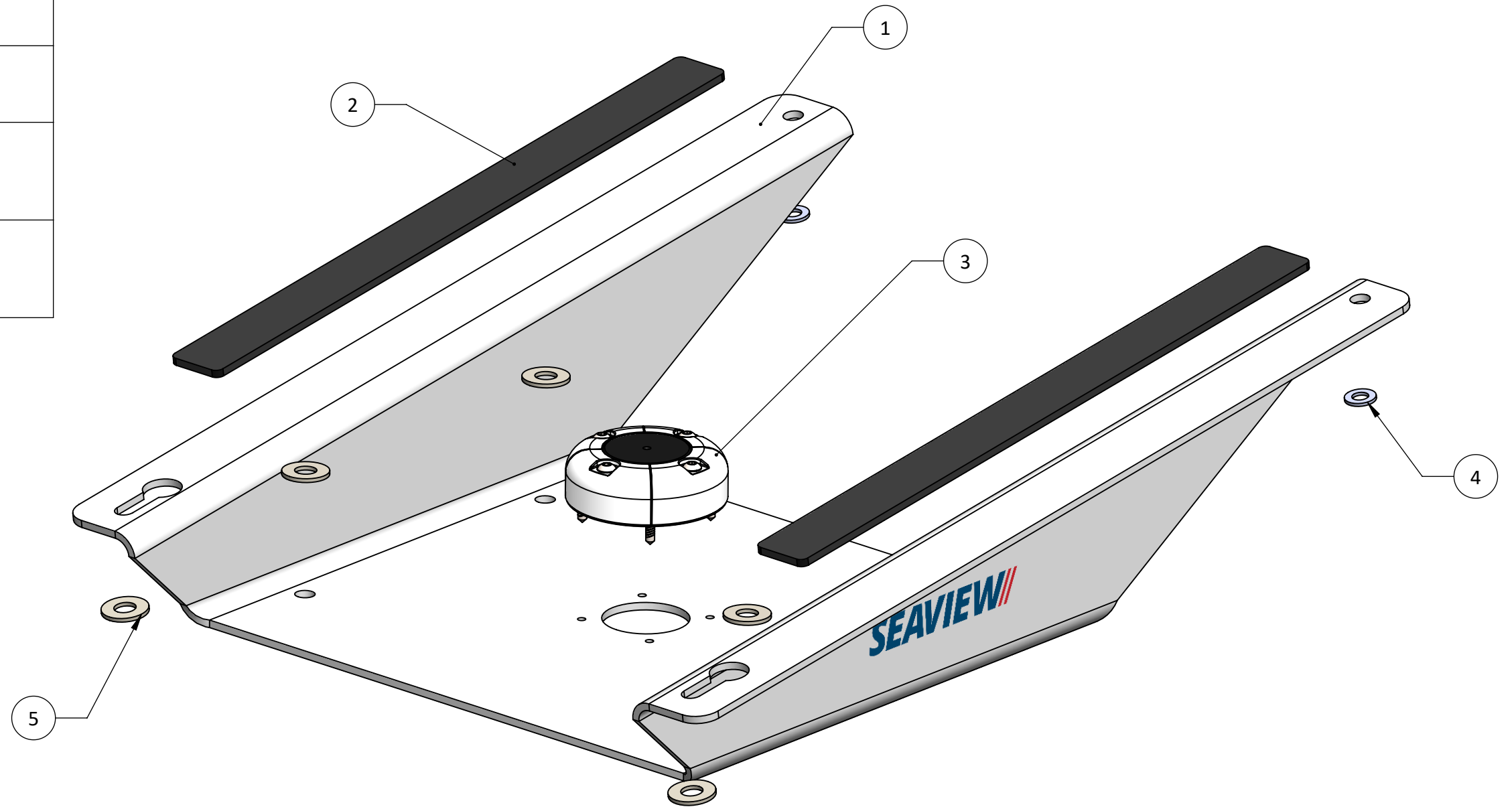


ITEM NO.	PART NUMBER	QTY.
1	WEDGE BASE	1
2	12" FOAM STRIP	2
3	CABLE SEAL	1
4	NYLON WASHER FOR 1/4" BOLTS	2
5	NYLON WASHER FOR 5/16" BOLTS	6

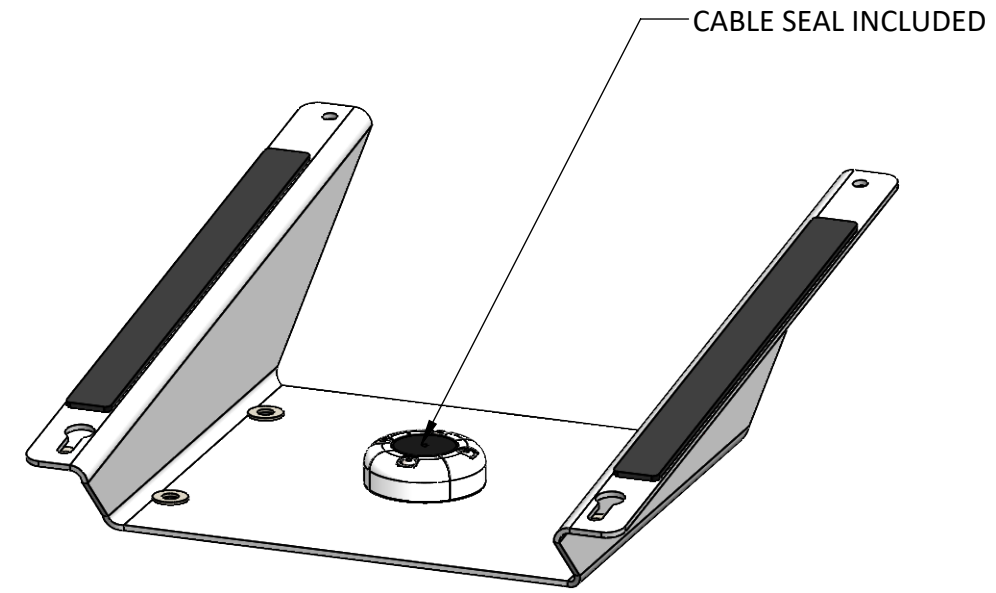
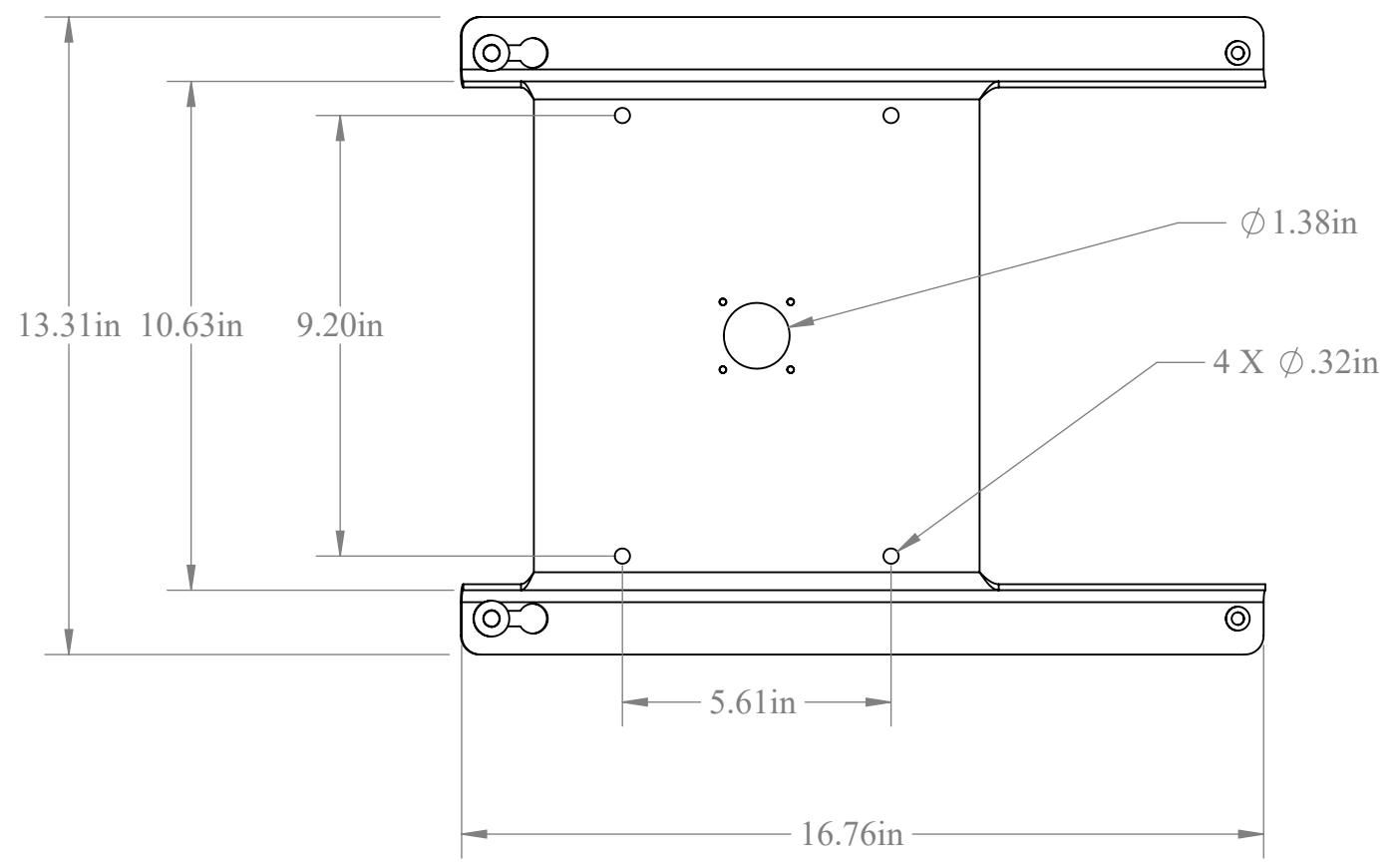
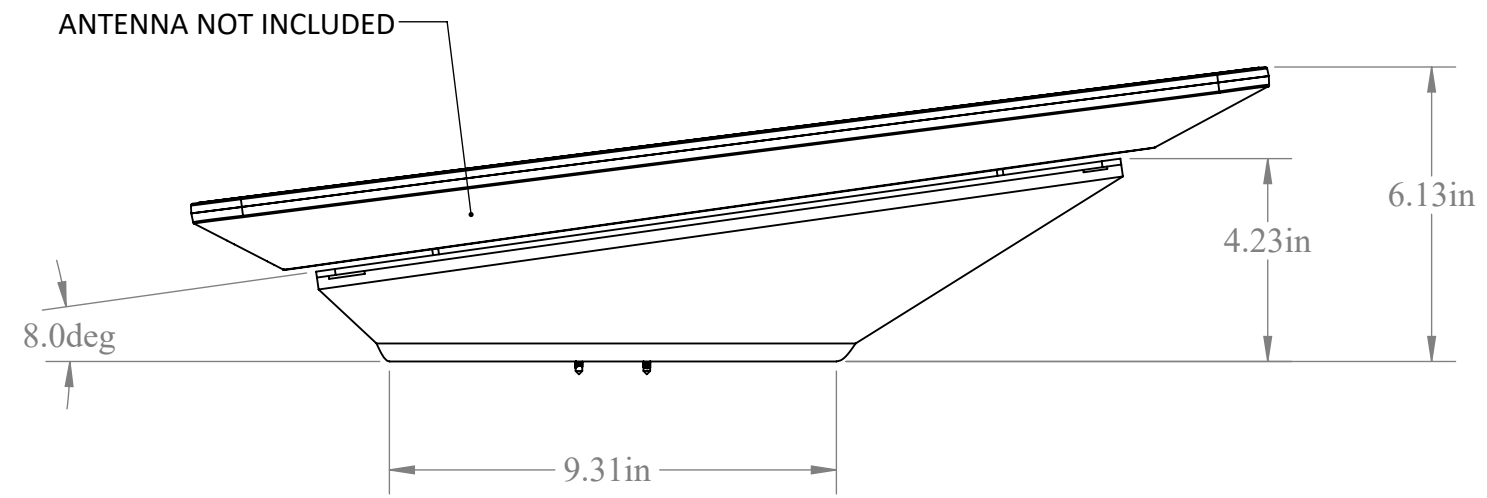


Notes:

1. Please note that some dimensions may not be shown (applies to all pages)
2. Do not scale drawing (applies to all pages)

SVSLWB

For help e-mail
info@seaviewglobal.com
 ph. 1-800-655-7922



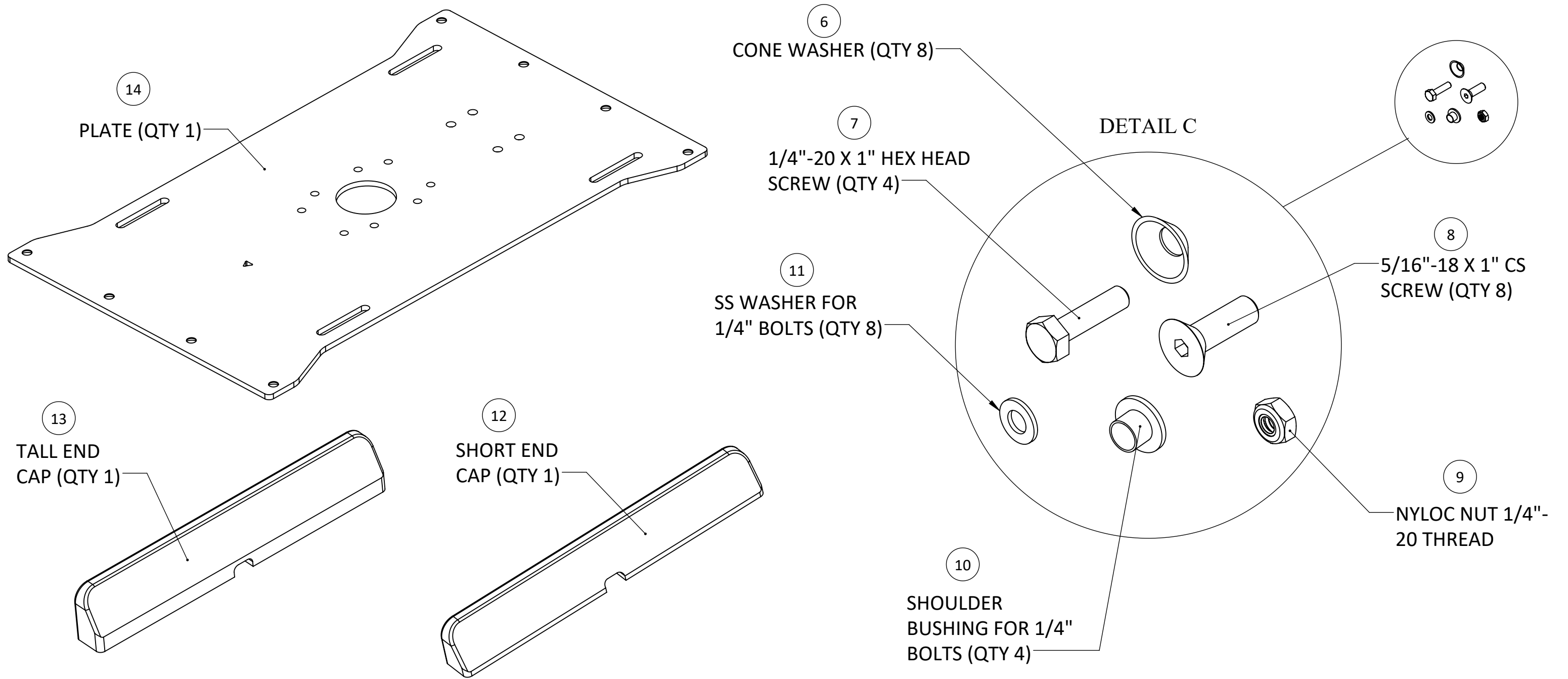
SVSLWB

For help e-mail
info@seaviewglobal.com
ph. 1-800-655-7922

If you are installing a Starlink Flat HP with a **SVSLWB** kit, skip to page 5.

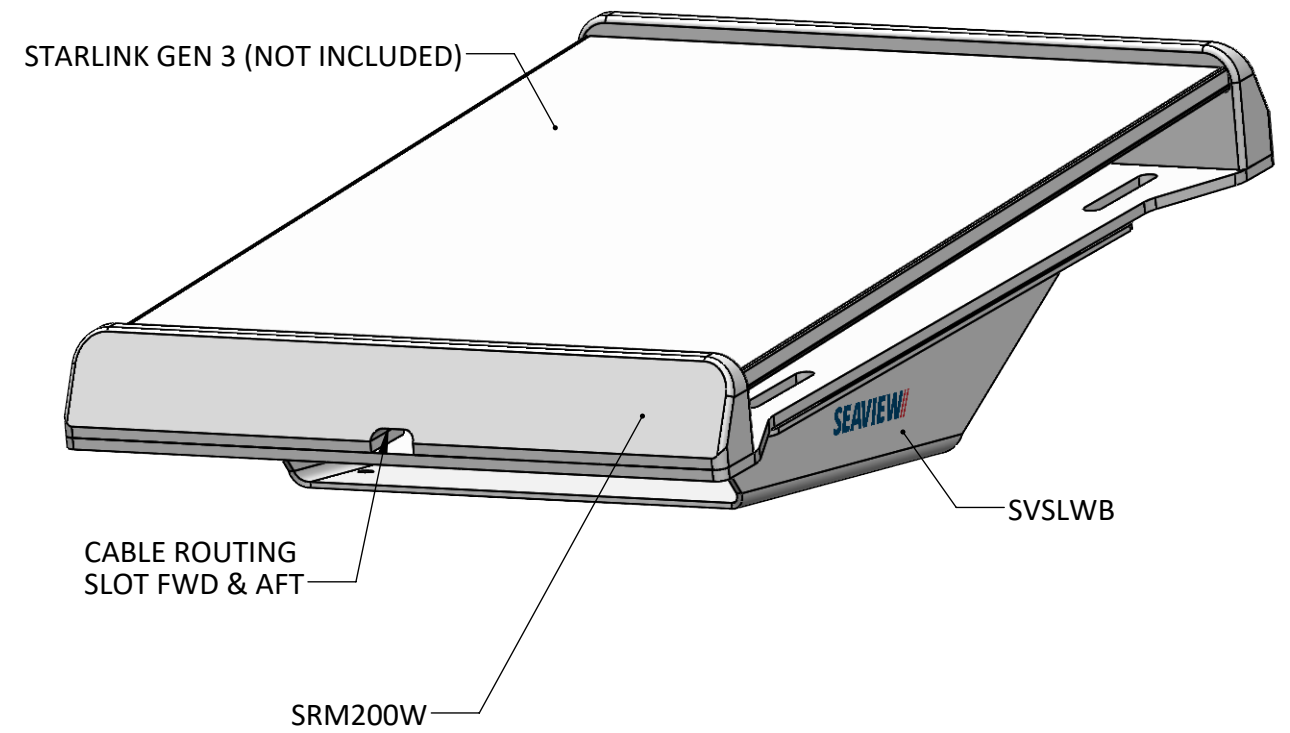
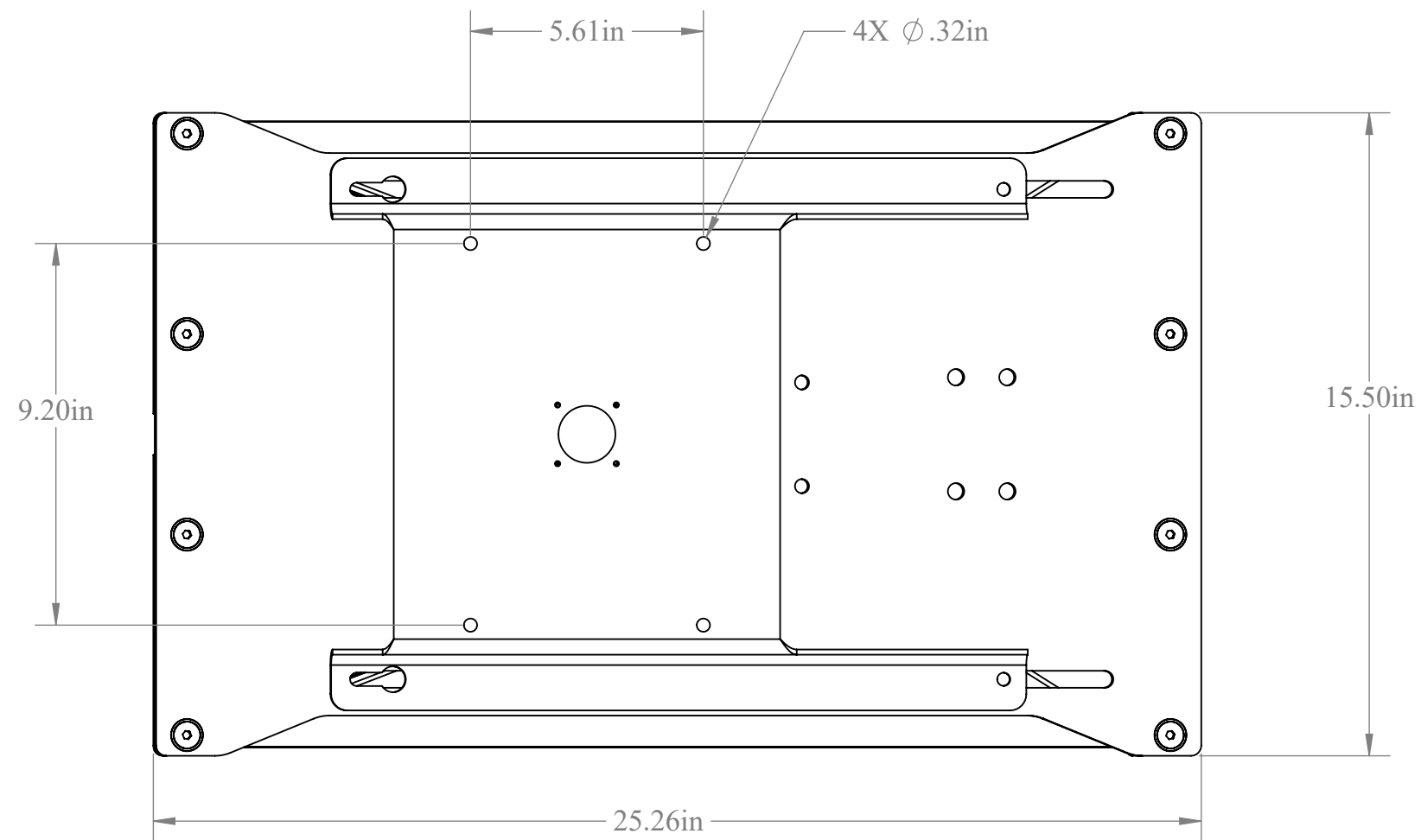
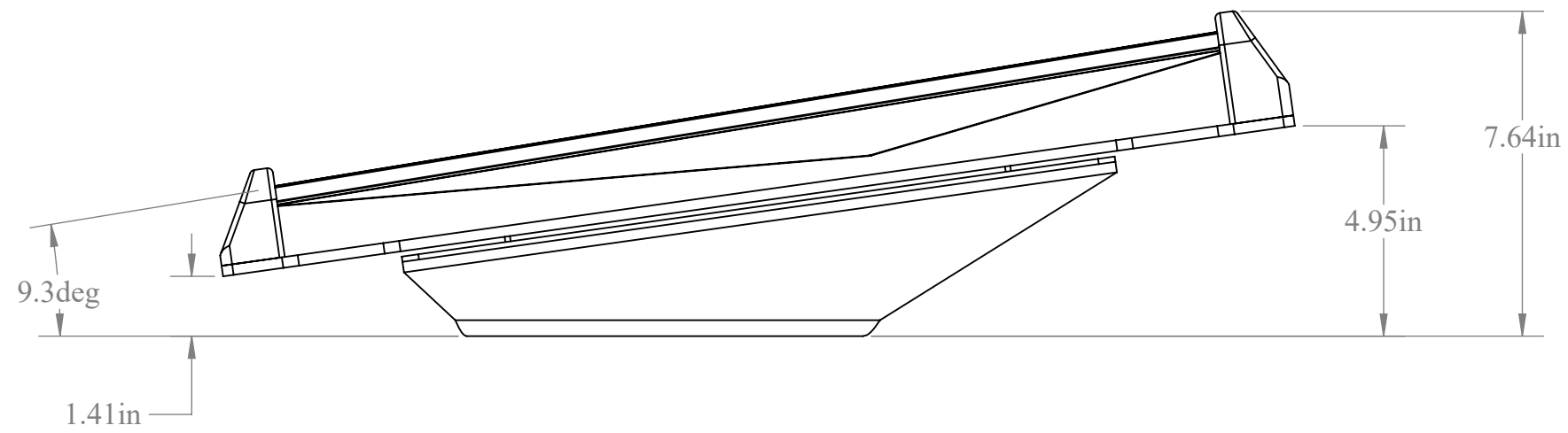


Below are the additional items provided with the **SRM200WB8** kit that are NOT listed in the wedge base BOM on page 1.



SRM200WB8

For help e-mail
info@seaviewglobal.com
ph. 1-800-655-7922



Notes:

1. Slots on plate may be used to gain extra aft clearance depending on mounting arrangement

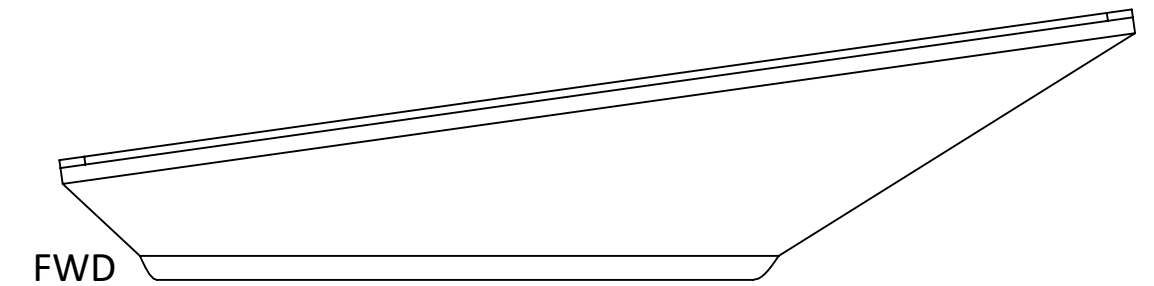
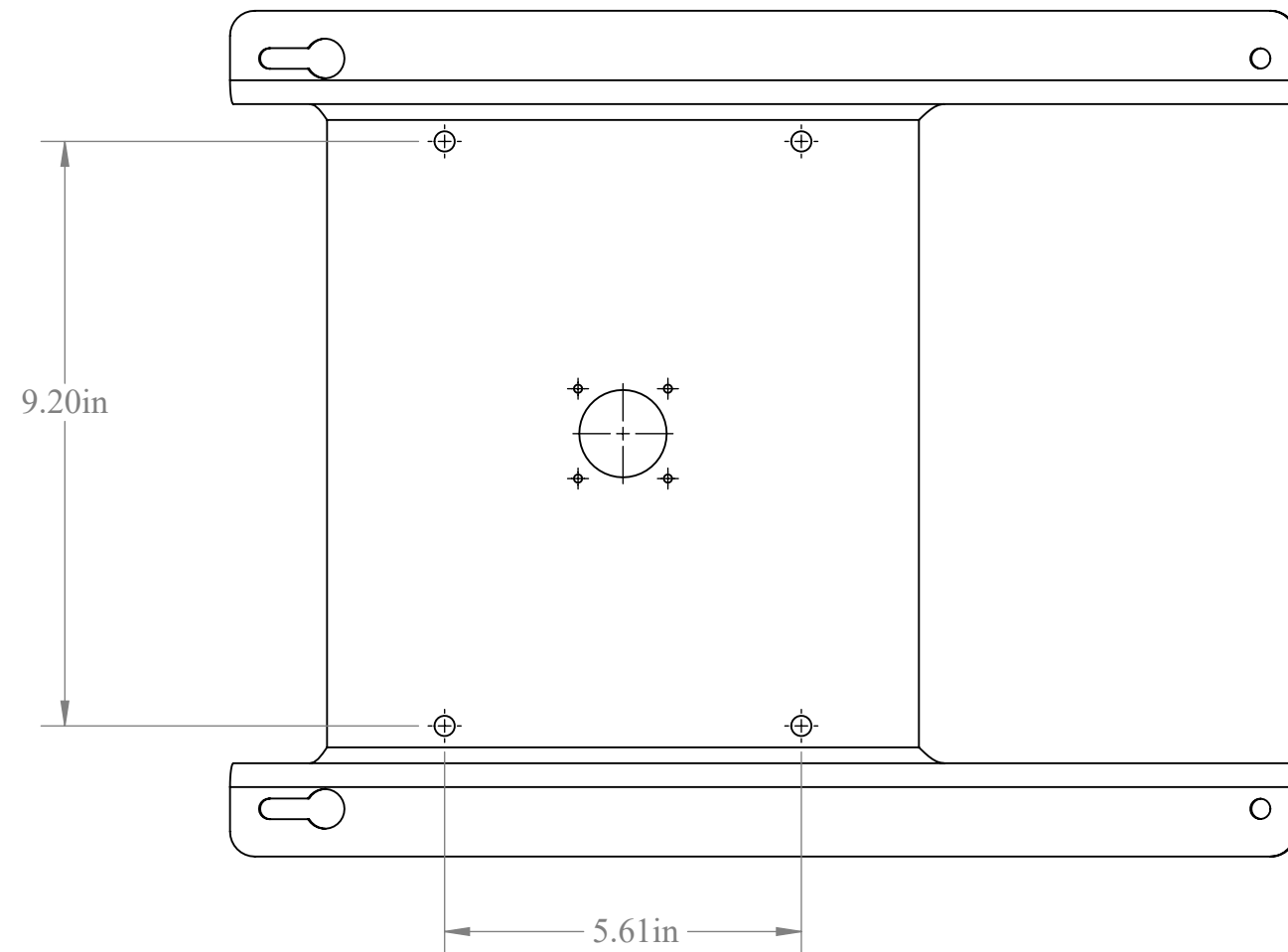
SRM200WB8

For help e-mail
info@seaviewglobal.com
 ph. 1-800-655-7922

INSTALLATION INSTRUCTIONS BEGIN ON NEXT PAGE

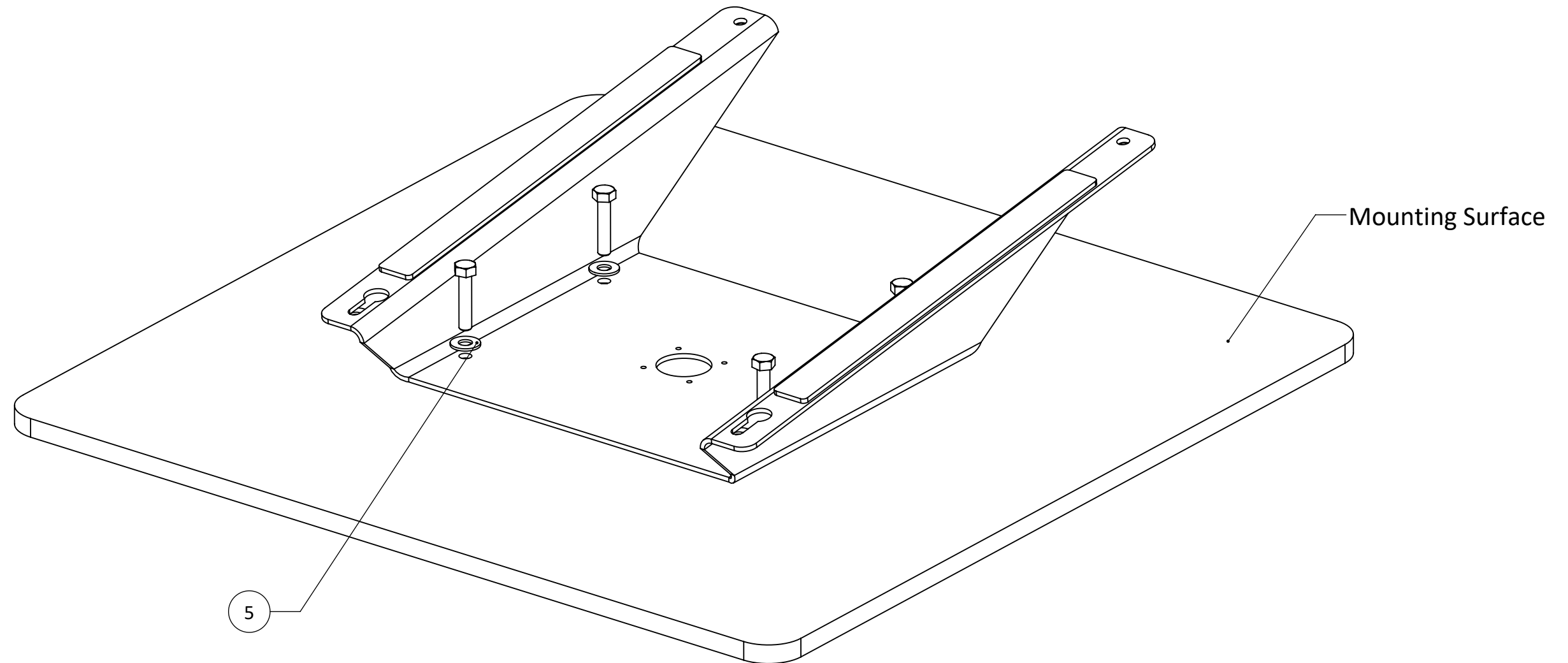
For help e-mail
info@seaviewglobal.com
ph. 1-800-655-7922

1 Using the wedge base as a guide, mark and drill the 4 holes in the desired mounting location. Please note where the cable is routed when deciding. It is recommended that the low end of the wedge faces forward.



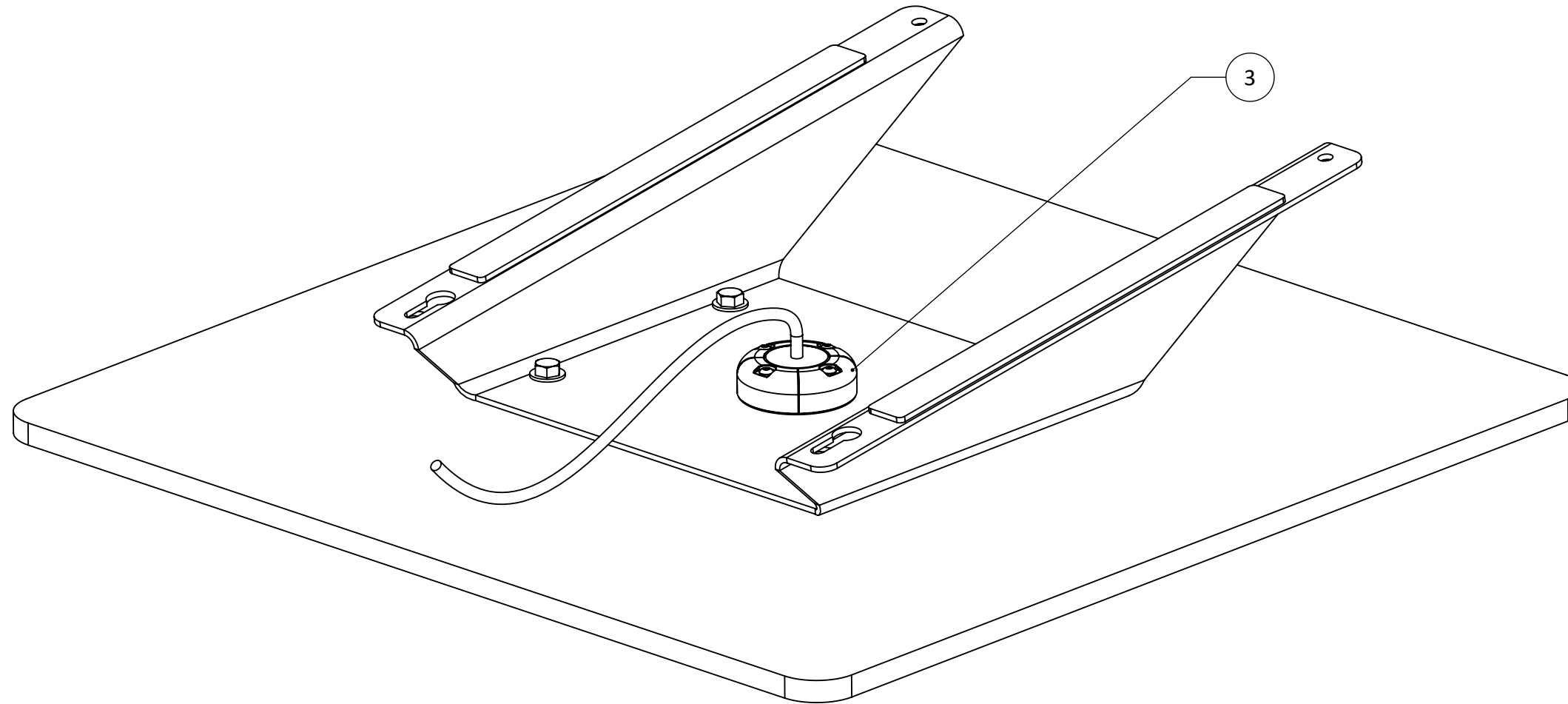
For help e-mail
info@seaviewglobal.com
ph. 1-800-655-7922

2 Using nylon washers, or item **5** in the BOM, bolt the wedge base down using nyloc nuts (or similar). Due to varying mounting surface types and thicknesses, ensure the correct mounting bolts and hardware are used.



For help e-mail
info@seaviewglobal.com
ph. 1-800-655-7922

3 Route antenna cable through provided cable seal (BOM item **3**). Please note that the holes in the wedge base are tapped to receive the cable seal. All cable seal hardware is included. For more specific cable seal instructions refer to the following link: [click here](#)



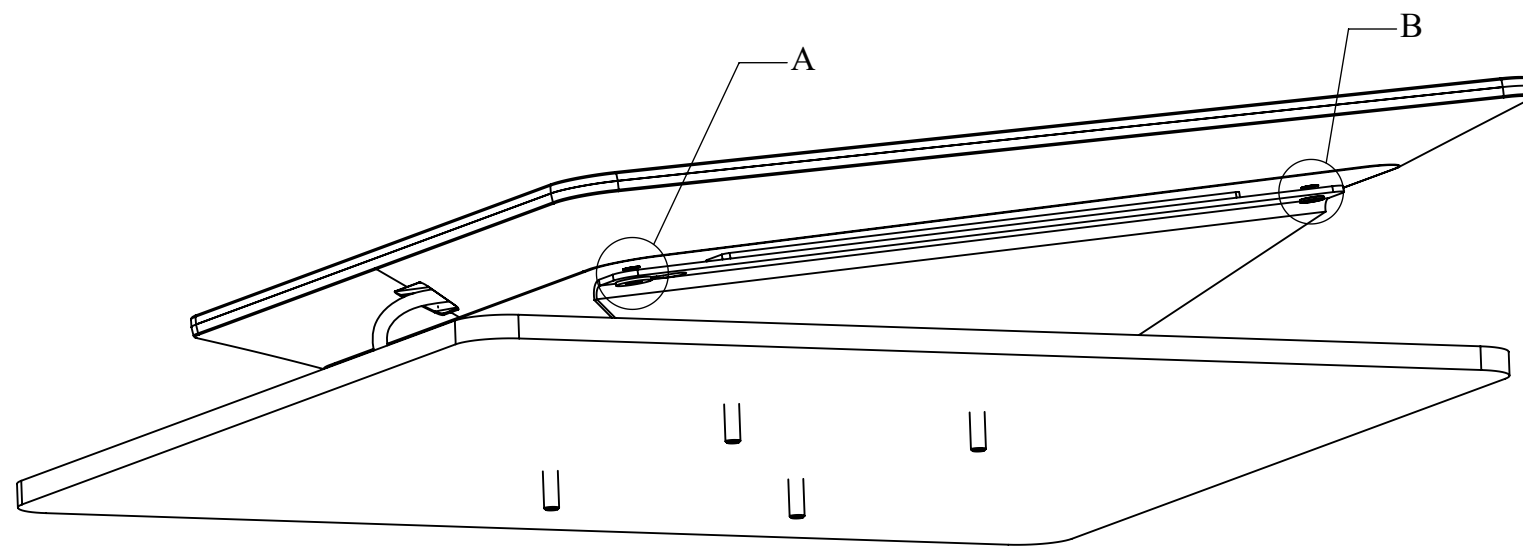
For help e-mail
info@seaviewglobal.com
ph. 1-800-655-7922

4A

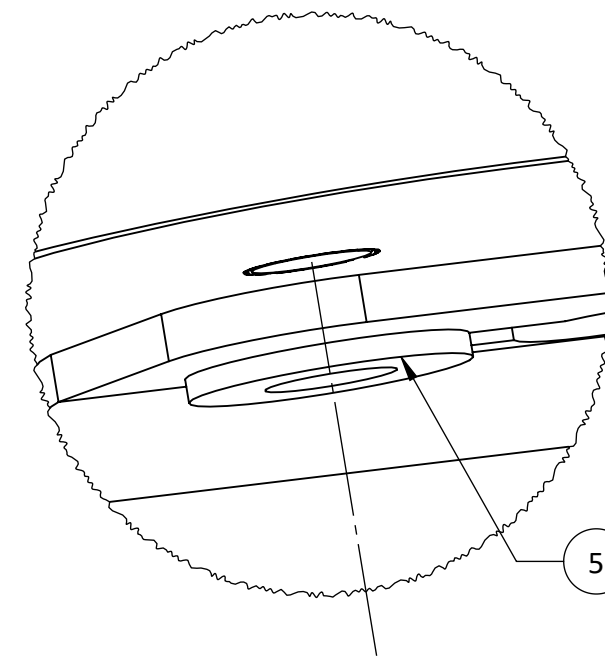
This step applies to the Starlink Flat HP antenna installed on Seaview wedge base **SVSLWB**. If you have Seaview kit **SRM200WB8**, skip to step 4B.



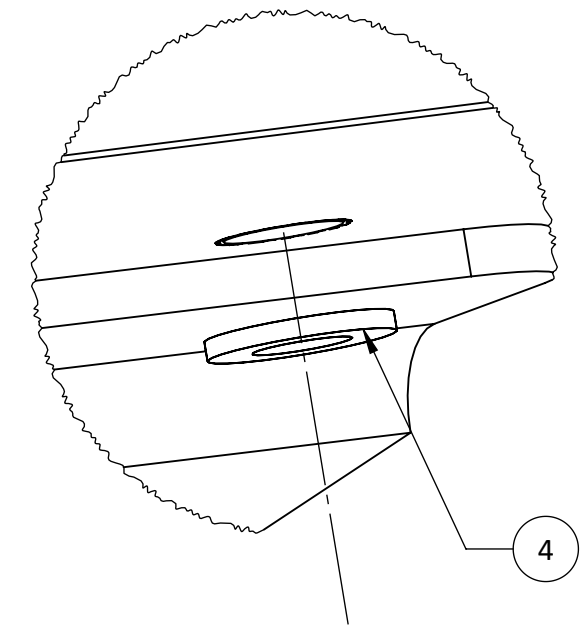
When installing the Starlink Flat HP, line up the antenna with the wedge mounting holes. With antenna resting on the wedge, ensure washers (BOM items **4** & **5**) are in place before securing antenna. Use Starlink provided hardware to secure antenna to wedge base. If hardware is not provided, please use 1/4"-20 bolts of appropriate length.



DETAIL A

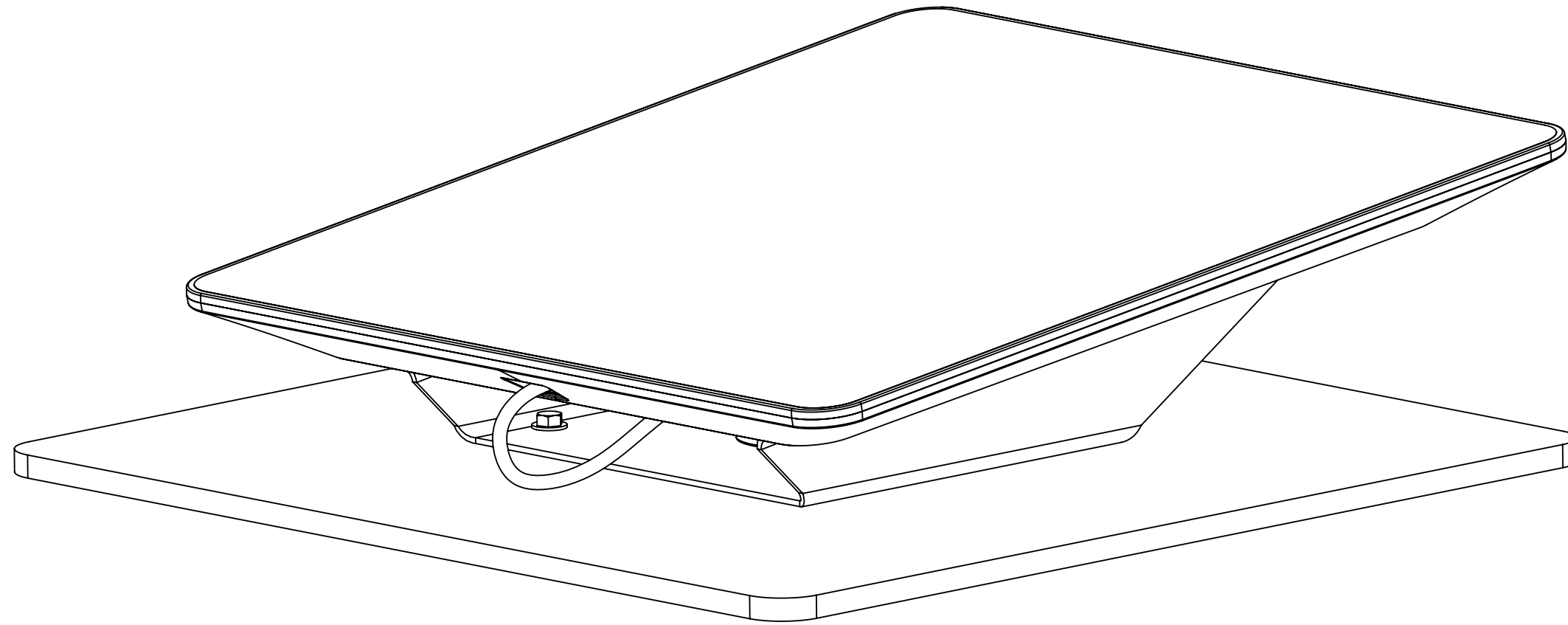


DETAIL B



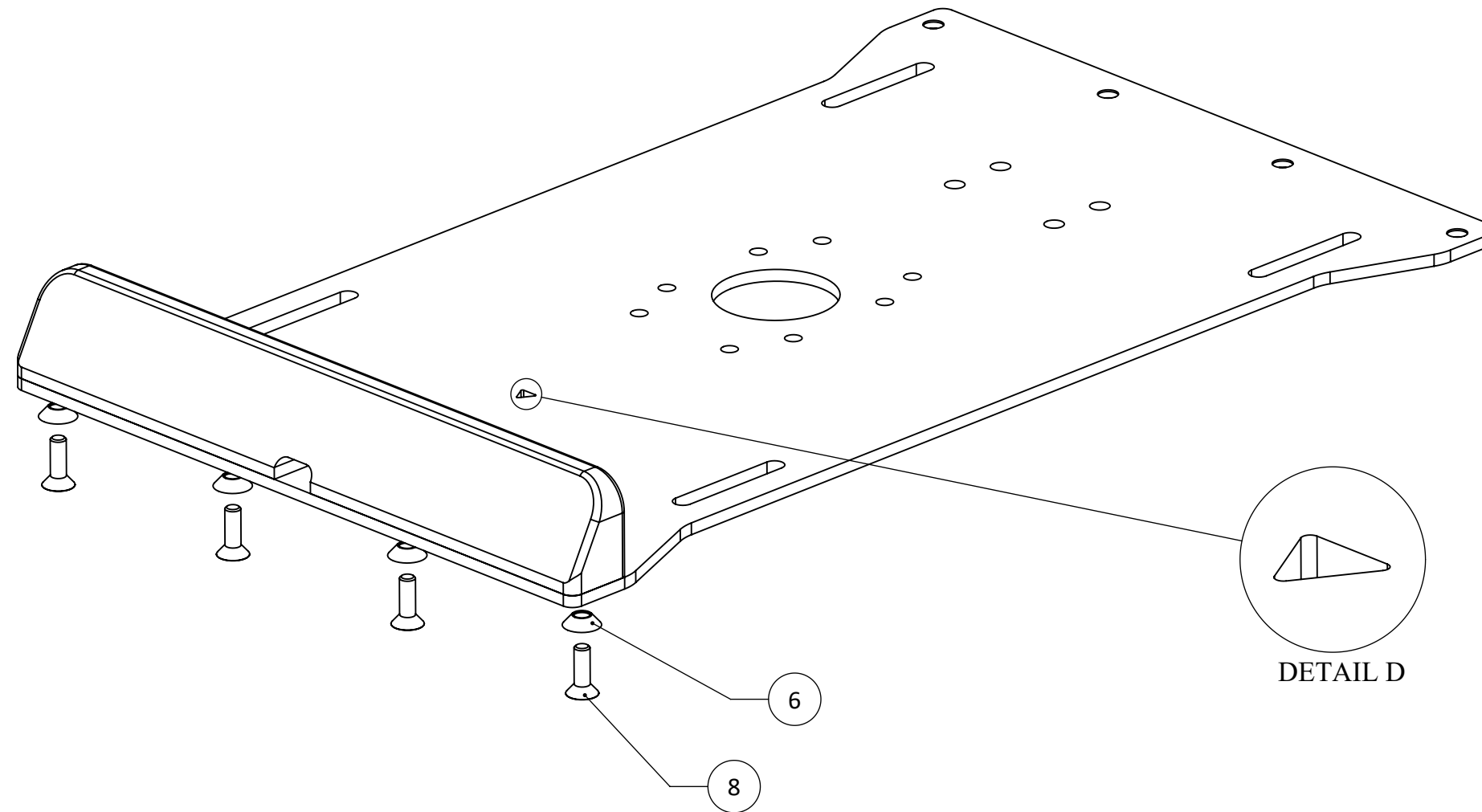
For help e-mail
info@seaviewglobal.com
ph. 1-800-655-7922

4A.1



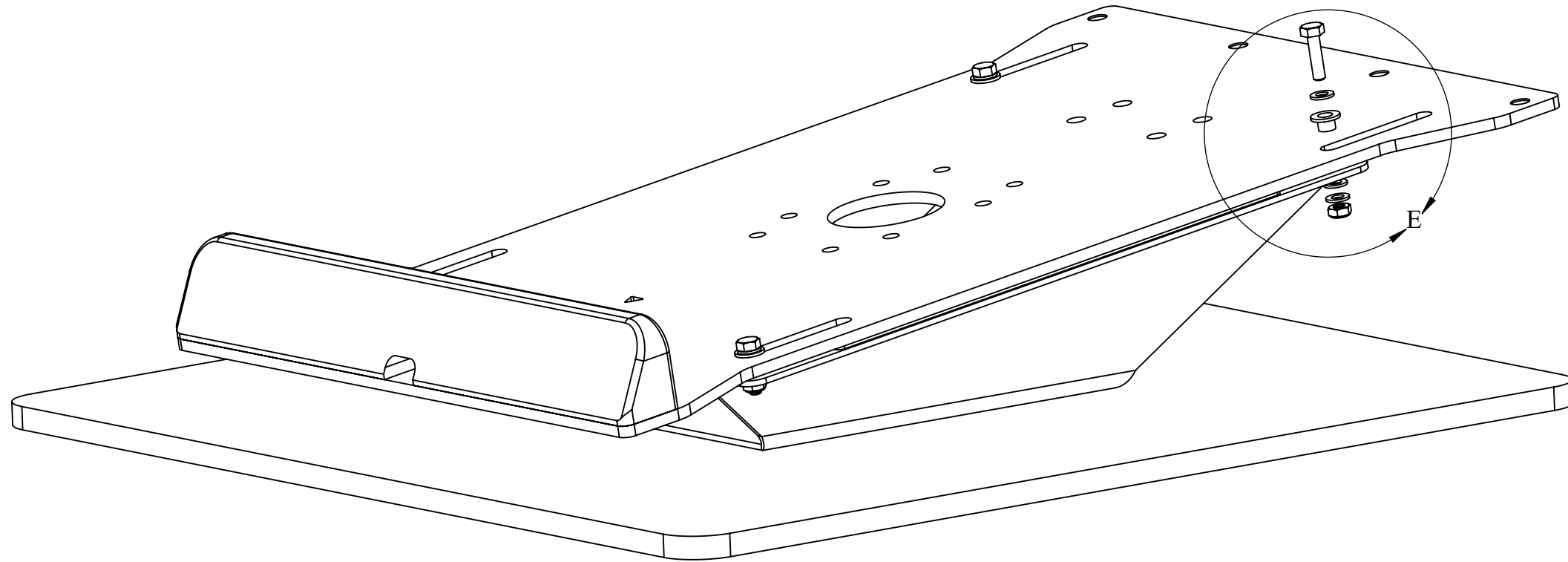
For help e-mail
info@seaviewglobal.com
ph. 1-800-655-7922

4B Using the cone washers (item 6 from page 9) & the countersunk screws (item 8 from page 9), install the short end cap on the fwd side of the plate. A small triangle on the plate indicates forward direction as shown in detail D.

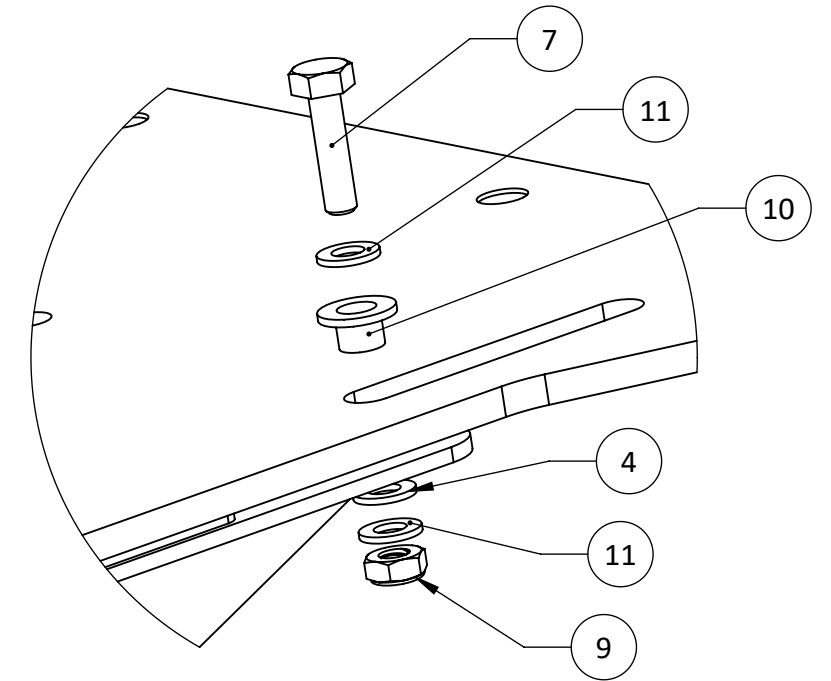


For help e-mail
info@seaviewglobal.com
ph. 1-800-655-7922

4B.1 With the short end cap secured to the plate, and the wedge base installed from step 3 (page 6), line up the plate slots with the wedge base mounting holes and slots as shown below. Bolt the plate down to the wedge base using items **7**, **10**, **11**, **4**, **11**, & **9** shown in detail E.

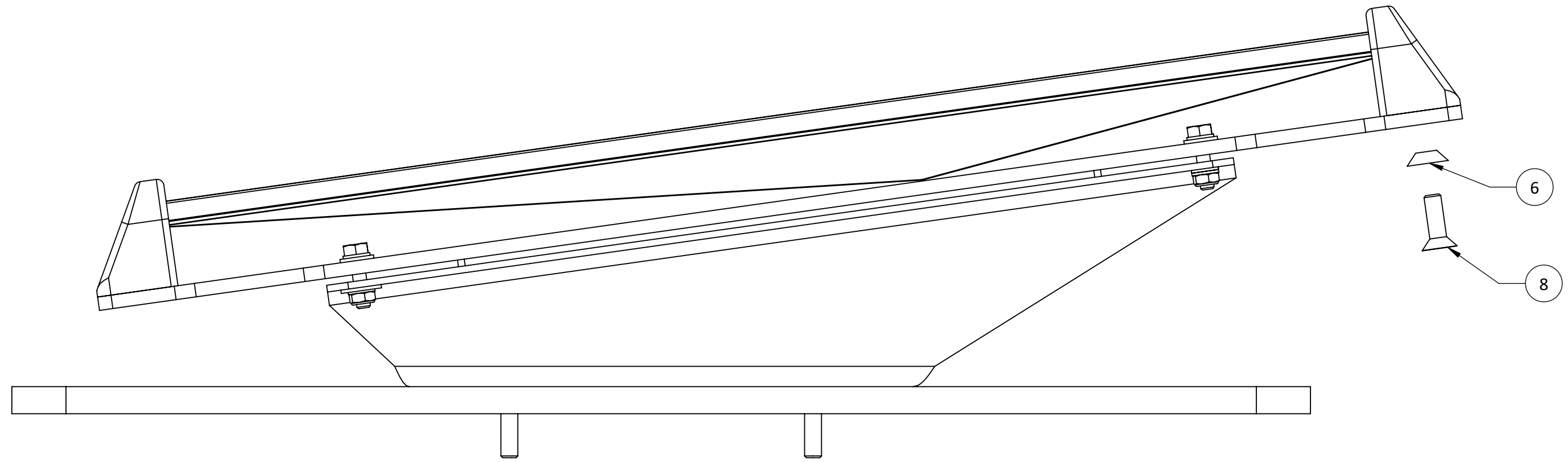


DETAIL E



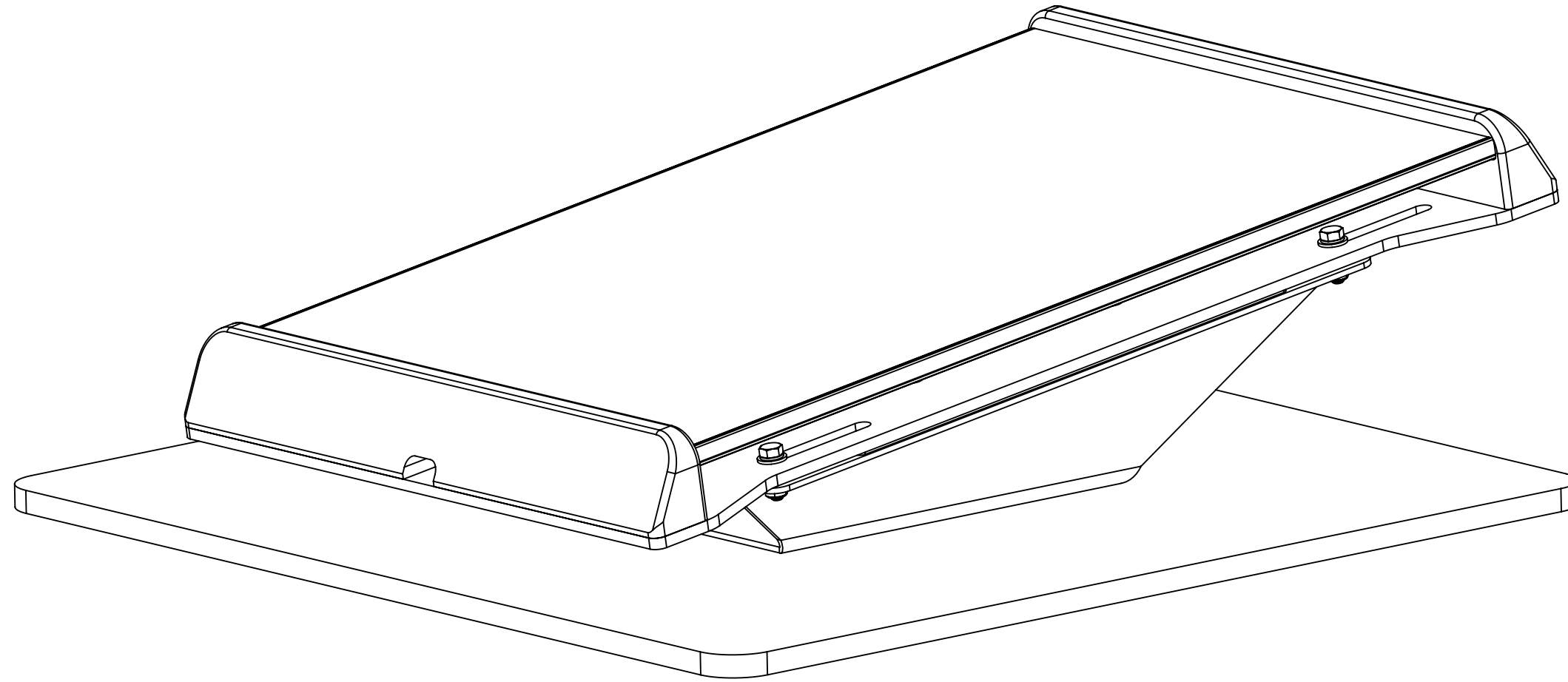
For help e-mail
info@seaviewglobal.com
ph. 1-800-655-7922

4B.2 Please **REMOVE** the kickstand in the Gen 3 antenna. Then, slide the antenna into the forward end cap, and bolt the tall end cap on the aft side using items **6** & **8**.



For help e-mail
info@seaviewglobal.com
ph. 1-800-655-7922

4B.3



For help e-mail
info@seaviewglobal.com
ph. 1-800-655-7922