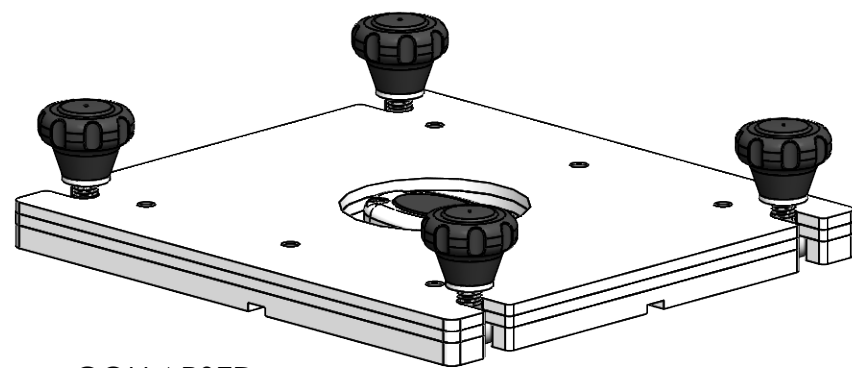
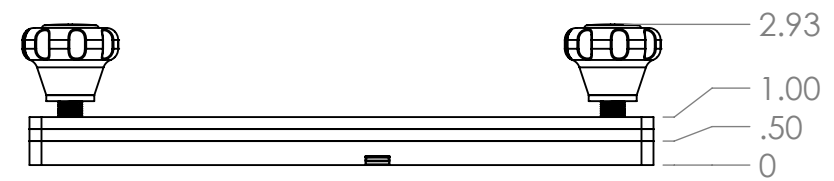
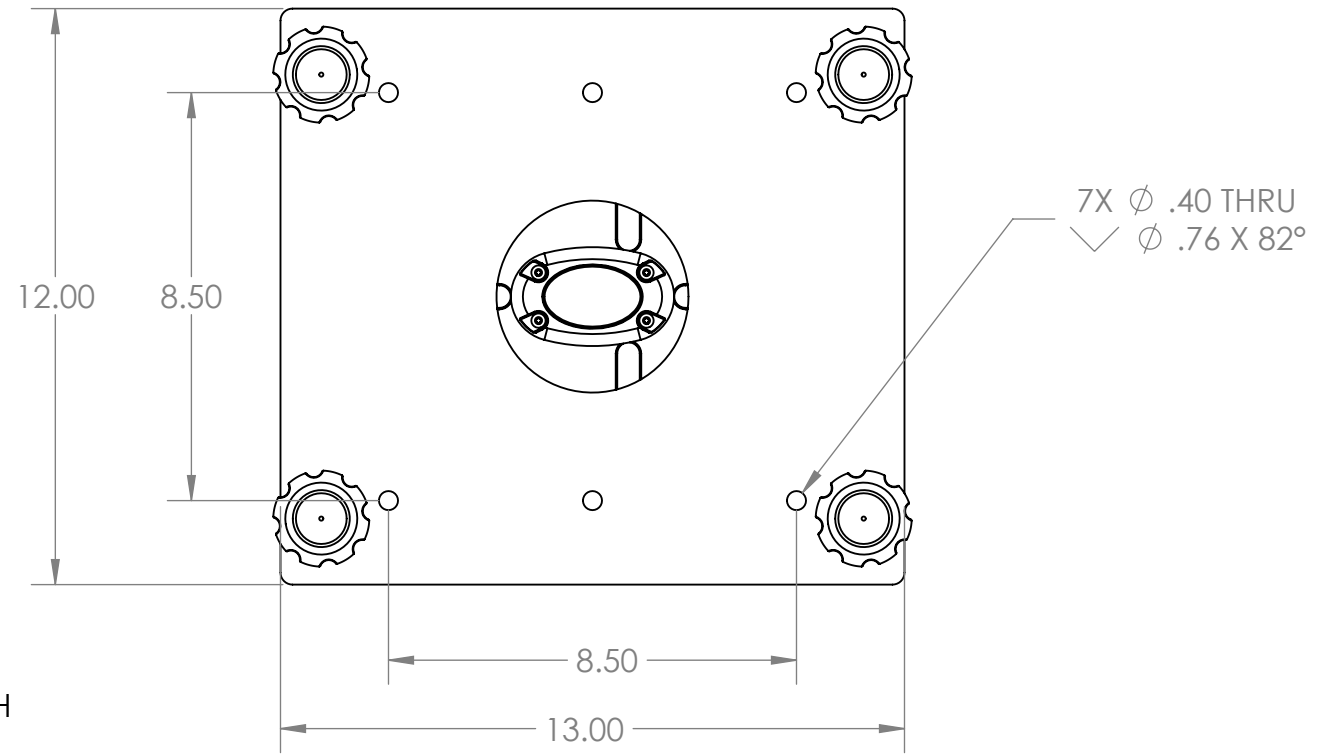

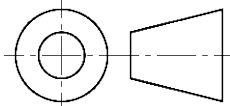


EXPLODED



COLLAPSED



<b>PROPRIETARY AND CONFIDENTIAL</b> THE INFORMATION CONTAINED IN THIS DRAWING IS THE SOLE PROPERTY OF SEAVIEW. ANY REPRODUCTION IN PART OR AS A WHOLE WITHOUT THE WRITTEN PERMISSION OF SEAVIEW IS PROHIBITED.	UNLESS OTHERWISE SPECIFIED: DIMENSIONS ARE IN INCHES <b>TOLERANCES:</b> X.X = ± 0.1 X.XX = ± 0.01 X.XXX = ± 0.005 ANGLES = ± 0.5°	NAME	DATE	  <b>PMRB10-200</b>	
		DRAWN BY:	S.C.		2.14.24
		ENGINEERED BY:	--		--
		CUSTOMER:	--		
THIRD ANGLE PROJECTION 		COMMENTS: -LIMITED DIMENSION DRAWING		SIZE <b>B</b>	
MATERIAL --		DWG. NO. PMRB10-200-DWG		REV 0	
FINISH --		SCALE: 1:4 WEIGHT:		SHEET 1 OF 1	