



# Round Tube Bimini Top Assembly and Installation Instructions

## How to Prolong the Life of Your Bimini Top

- Avoid letting water or snow stand on the top.
- Always travel with top in the stored position inside the storage boot.
- When properly installed, you can safely deploy and use your bimini top with a maximum operating speed of 35 MPH.
- Allow bimini top to dry thoroughly before folding for storage.

## Cleaning & Care Instructions

Scan QR Code or visit Page 12 to learn how to properly care for your bimini top canvas and frame.



## Carver Limited Warranty

Scan QR Code or visit Page 12 to learn more about our limited product warranty.



Instruction/Informational Sheet	Page
2-Bow Round Tube Bimini Tops (Standard)	2
3-Bow Round Tube Bimini Tops	3
4-Bow Round Tube Bimini Tops	4
Stainless Steel Bimini Tops (Supplemental Instructions)	5
46"H and 35" Super Short (Supplemental Instructions)	6
Bimini Top Installation Instructions	7
Bimini Top Brace Kit Instructions	8
Bimini Top Slide Track Kit Instructions	9
Bimini Top Accessories	10-11
Bimini Top Cleaning & Care Instructions	12
Bimini Top Limited Warranty Information	12



Carver Bimini Tops are a classy way to protect yourself and your boat from the elements. They also add style and color to your boat. These instructions make assembly and installation easy. **Please read them carefully before beginning.**



Please take extra care when unpacking and installing your bimini top. Should you need to return the bimini top, it **MUST** be in its original, new condition. The bimini top canvas must be clean and dry, and free of debris (including pet hair). Frame components must not be scratched.

**Important:** Make sure all parts are included in your bimini top package. The quantities listed below are the quantities of parts needed based on the size of the top that was ordered. You may receive additional parts that are not needed for your particular size of bimini top.

**FOR FULL STAINLESS STEEL ROUND TUBE TOPS, PLEASE REFER TO THE SUPPLEMENTAL INSTRUCTIONS ON PAGE 5 FOR SUPPLEMENTAL PARTS NOT LISTED BELOW.**

**Note:** Be sure bimini top dimensions match the mounting locations on your boat before assembling the bimini top and before drilling holes in your boat.

### PARTS LIST:

### QUANTITIES FOR:

Item	2-Bow Round Tube Tops	3-Bow Round Tube Tops	4-Bow Round Tube Tops
No. 8 Screws - 1/2" Length <i>(Full stainless steel frame upgrades will include 3/16" rivets in lieu of 1/2" screws) - see Page 5</i>	12	16	20
No. 10 Screws - 1" Length	12	12	12
Finish Washers	4	4	4
Long, Metal Side Bow Sections	2	2	2
Medium, Metal Side Bow Sections	0	2	2
Short, Metal Side Bow Sections	2	2	4
Center Metal Cross Bow Sections <i>(equal length)</i>	2	3	4
Black, 1" Polypropylene Hold-Down Straps	4	4	4
Black, 1" Polypropylene Adjuster Straps <i>(packaged with canvas)</i>	0	2	4
Bimini Top Canvas	1	1	1
Universal Deck Hinges	2	2	2
Eye Straps	4	4	4
Matching Storage Boot* <i>*Some exceptions may apply to 2-Bow Standard Tops</i>	1*	1	1
Optional Brace Kit (Pair)	0	0	0

**Minimum Tools Needed:** Drill with 9/64" bit, a Phillips head and a flat head screwdriver, pencil and 4mm or 1/8" Hex Bit Allen Wrench.

**Also helpful:** Tape measure or other measuring device.



Polypropylene Hold-Down Straps w/ Single Snap Hook



Polypropylene Adjuster Straps



Universal Deck Hinges



Eye Straps



No. 8, No. 10 Screws and Finish Washers



Short, Medium and Long Metal Side Bow Sections



Center Metal Cross Bow Section

For fully assembled bimini top installation instructions, please see Page 7.

These instructions show how to assemble the top, with its frame and straps, starting upside down and inverting to an upright position when attaching to your boat.

1. Identify the hook shaped, long and short metal side bow sections. Using the long side bow sections and one of the center cross bow sections, assemble the side bow and center bow parts as shown, aligning the pre-drilled holes. Use the 1/2", no. 8 screws to connect the bow parts securely together.

Repeat this procedure for the short bow, aligning the pre-drilled holes and securing them with 1/2", no. 8 screws.

**Caution:** If screw heads become burred, cover heads with duct tape or file down screw heads to avoid damage to canvas.

2. Spread the bimini top canvas out on a flat, clean area with the bottom side up. Sewn-in label indicates the bottom, or inside, and the back of the top.

3. With the bows assembled, insert the short bow assembly through the sleeve at the front of top. (This is the sleeve opposite the end with the sewn-in tag.) *Note the position of the single pre-drilled holes on the bow frame. (Holes should be facing toward the middle of the canvas.)* Insert the long bow assembly through the sleeve at the back of the top (nearest the sewn-in tag). *Again, note the position of the single pre-drilled holes on the long bow frame. (Holes should be facing toward the middle of the canvas.)*

4. Pass looped end of each hold-down strap over each end of the bows. Use a no. 8, 1/2" screw to fasten straps to bow frame at each pre-drilled hole position as shown. Position strap over hole and insert screw, with finish washer, through center of strap and into pre-drilled hole.

5. Connect short frame ends to jaw slides on each side of the long bow frame. The inside eye ends can be rotated to align with jaw slides. Jaw slides should allow bows to pivot, but be tight enough to hold securely.

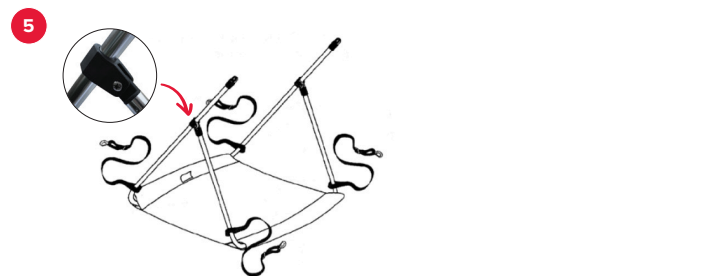
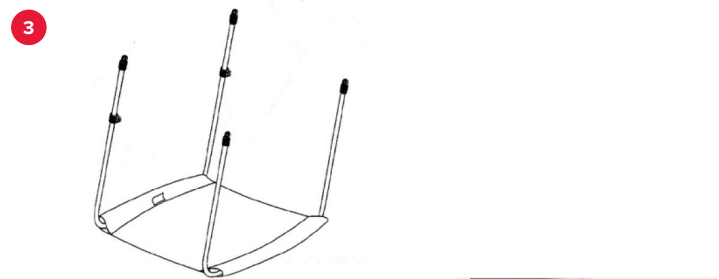
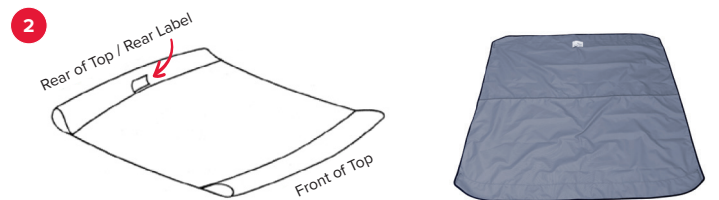
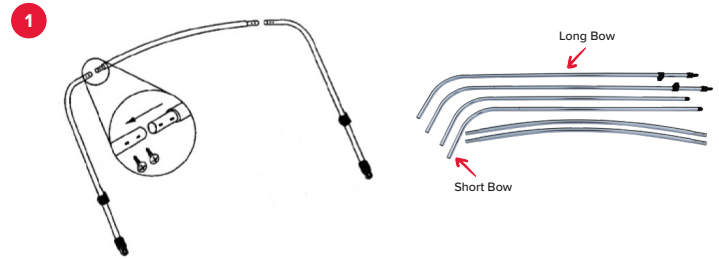
See Page 7 for installation instructions for mounting the bimini top onto your boat.

If you purchased an optional brace kit or slide track kit, please see additional instructions on Pages 8-9.

**NOTE: Inflatable Boats**

Inflatable boat mounting hardware is sold separately.

If you are replacing an existing bimini top, no additional mounting hardware should be needed. If this is a new installation, inflatable boat mounting kits for this bimini top are available.



Scan QR Code to watch our online assembly video.

These instructions show how to assemble the top, with its frame and straps, starting upside down and inverting to an upright position when attaching to your boat.

If you purchased a Stainless Steel Frame, rivets will be used in lieu of the 1/2" screws. Please refer to the supplemental instructions on Page 5 for more information.

1. Identify the hook shaped, long, medium, and short metal side bow sections. Using the long side bow sections, and one of the center cross bow sections, assemble the side bow and center bow parts as shown, aligning the pre-drilled holes. Use the 1/2", no. 8 screws to connect the bow parts securely.

Repeat this procedure for the medium and short bows, aligning the pre-drilled holes and securing them with 1/2", no. 8 screws.

**Caution:** If screw heads become burred, cover heads with duct tape or file down screw heads to avoid damage to canvas.

2. Spread the bimini top canvas out on a flat, clean area with the bottom side up. Sewn-in label indicates the bottom, or inside, and the back of the top.

3. With the bows assembled, insert the medium bow assembly through the sleeve at the front of top. (This is the sleeve opposite the end with the sewn-in tag.) Note the position of the single pre-drilled holes on the bow frame. (Holes should be facing toward the middle of the canvas.) Insert the short bow assembly through the small sleeve in the center of the top and the long bow assembly through the sleeve at the back of the top (nearest the sewn-in tag). Again, note the position of the single pre-drilled holes on the long bow frame. (Holes should be facing toward the middle of the canvas.)

4. Pass the buckled end of the adjuster strap through the opening in the fabric sleeve first (over and under the long bow) so that the strap orientation resembles the image enlargement (4A). The buckled end will be closest to the canvas.

Thread the **sewn** looped strap end through the buckle (see Image 4B).

Next, pass the **sewn** looped strap end over the end of the **short** bow and slide it down into position directly across from the opening in the fabric where the buckled end is attached (see illustration 4C).

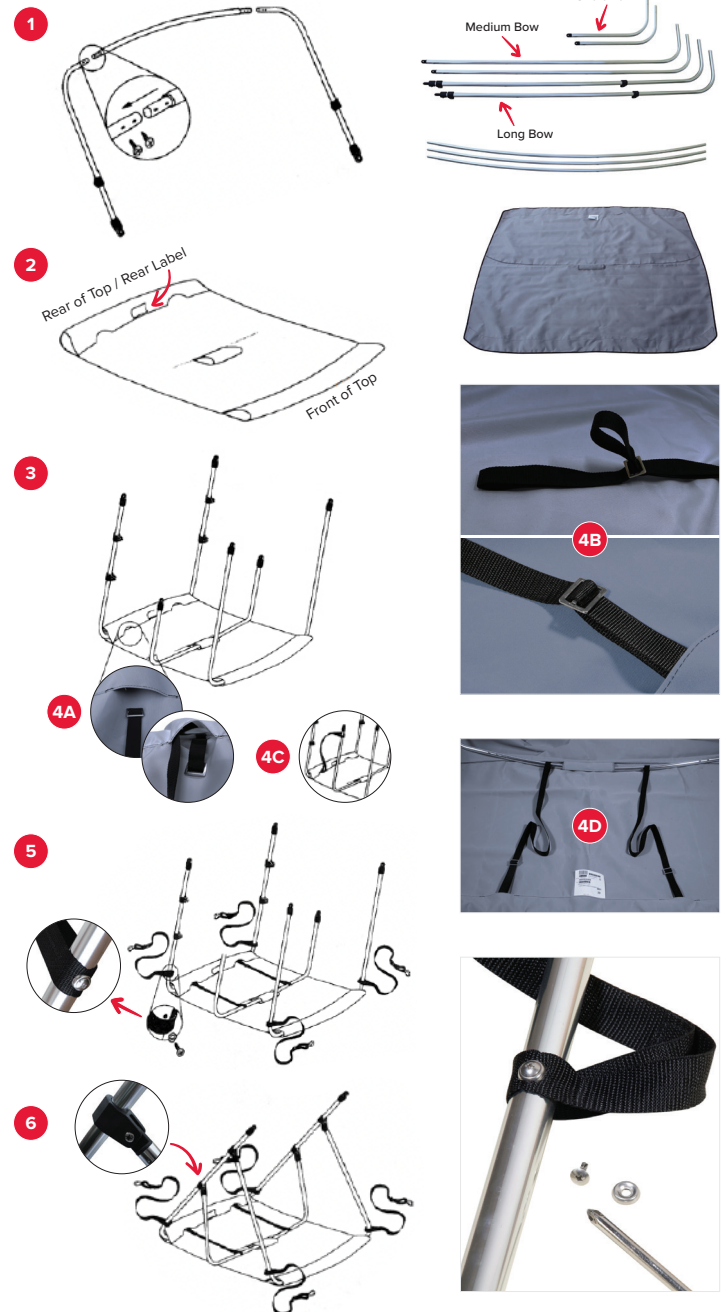
**Leave the straps at maximum length for now.** Repeat this step for the second strap. See enlargement 4D. The straps will be tightened only AFTER the top is fully installed on the boat (see Installation Instructions Step 7 on Page 7).

5. Pass looped end of each hold-down strap over each end of the long and medium bows. Use a no. 8, 1/2" screw to fasten strap to bow frame at each pre-drilled hole position as shown. Position strap over hole and insert screw, with finish washer, through center of strap and into pre-drilled hole.

6. Connect short frame ends to jaw slides on each side of long bow frame. Inside eye ends can be rotated to align with jaw slides. Repeat for medium bow as shown. Jaw slides should allow bows to pivot, but be tight enough to hold securely.

See Page 7 for installation instructions for mounting the bimini top onto your boat.

If you purchased an optional brace kit or slide track kit, please see additional instructions on Pages 8-9.



### Adjuster Strap Installation

1. Pass the buckled end of the adjuster strap through opening in fabric and around long bow.
2. Thread looped end through buckle.
3. Pass the looped end of the strap over the short bow and slide down into position.



Scan QR Code to watch our online assembly video.



These instructions show how to assemble the top, with its frame and straps, starting upside down and inverting to an upright position when attaching to your boat.

If you purchased a Stainless Steel Frame, rivets will be used in lieu of the 1/2" screws. Please refer to the supplemental instructions on Page 5 for more information.

1. Identify the hook shaped, long, medium, and short metal side bow sections. Using the long side bow sections, and one of the center cross bow sections, assemble the side bow and center bow parts as shown, aligning the pre-drilled holes. Use the 1/2", no. 8 screws to connect the bow parts securely.

Repeat this procedure for the medium and short bows, aligning the pre-drilled holes and securing them with 1/2", no. 8 screws.

**Caution: If screw heads become burred, cover heads with duct tape or file down screw heads to avoid damage to canvas.**

2. Spread the bimini top canvas out on a flat, clean area with the bottom side up. Sewn-in label indicates the bottom, or inside, and the back of the top.

3. With the bows assembled, insert the medium bow assembly through the sleeve at the front of top. (This is the sleeve opposite the end with the sewn-in tag.) Note the position of the single pre-drilled holes on the bow frame. (Holes should be facing toward the middle of the canvas.) Insert the short bow assemblies through the small sleeves in the center of the top and the long bow assembly through the sleeve at the back of the top (nearest the sewn-in tag). Again, note the position of the single pre-drilled holes on the long bow frame. (Holes should be facing toward the middle of the canvas.)

4. Pass the buckled end of the adjuster strap through the opening in the fabric sleeve first (over and under the long bow) so that the strap orientation resembles the image enlargement (4A). The buckled end will be closest to the canvas.

Thread the **sewn** looped strap end through the buckle (see Image 4B).

Next, pass the **sewn** looped strap end over the end of the **short** bow and slide it down into position directly across from the opening in the fabric where the buckled end is attached (see illustration 4C).

**Leave the straps at maximum length for now.** Repeat this step for the second strap then assemble the straps for the front bow. See enlargement 4D. The straps will be tightened only AFTER the top is fully installed on the boat (see Installation Instructions Step 7 on Page 7).

5. Pass looped end of each hold-down strap over each end of the long and medium bows. Use a no. 8, 1/2" screw to fasten strap to bow frame at each pre-drilled hole position as shown. Position strap over hole and insert screw, with finish washer, through center of strap and into pre-drilled hole.

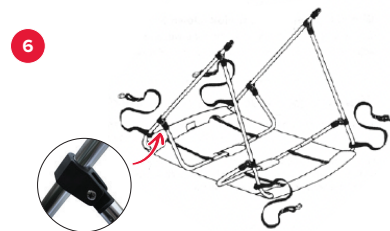
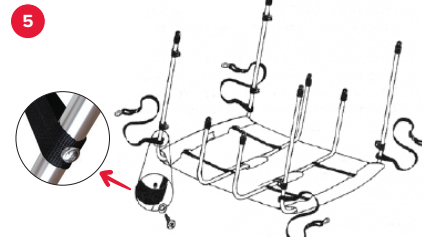
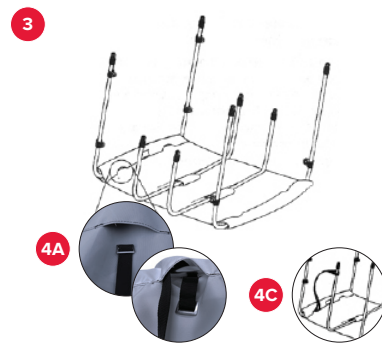
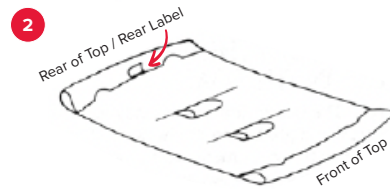
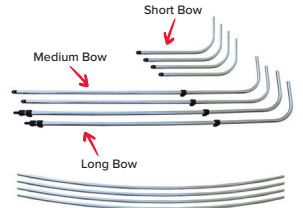
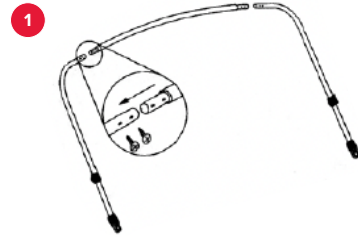
6. Connect short frame ends to jaw slides on each side of long bow frame. Inside eye ends can be rotated to align with jaw slides. Repeat for medium bow as shown. Jaw slides should allow bows to pivot, but be tight enough to hold securely.

See Page 7 for installation instructions for mounting the bimini top onto your boat.

If you purchased an optional brace kit or slide track kit, please see additional instructions on Pages 8-9.



Scan QR Code to watch our online assembly video.



### Adjuster Strap Installation

1. Pass the buckled end of the adjuster strap through opening in fabric and around long bow.

2. Thread looped end through buckle.

3. Pass the looped end of the strap over the short bow and slide down into position.

Assembly Video

The assembly of a full stainless steel frame requires the use of rivets instead of screws. For your convenience, a Hand Riveting Tool and all necessary rivets are included with your bimini top (not applicable to aluminum frames w/ stainless steel fittings). Simple instructions for operating a Hand Riveting Tool are located on the back of the Rivet Tool package. **For your safety, it is highly recommended that you wear safety goggles when operating your Hand Riveting Tool.**

Following the steps provided for a 3 or 4-Bow Round Tube Bimini Top, use a 3/16" rivet (provided) where a no. 8, 1/2" screw is specified. Align the pre-drilled holes, place thick end of rivet in hole and nail-end of rivet in rivet tool. Occasionally it may be necessary to tap the rivet in place. Set rivet by compressing handle of rivet tool three times. Rivet will pop and be seated firmly in place. Repeat process at all pre-drilled holes.

Should a rivet seat improperly, it can be drilled out using a 3/16" drill bit. Extra rivets are provided for your convenience.



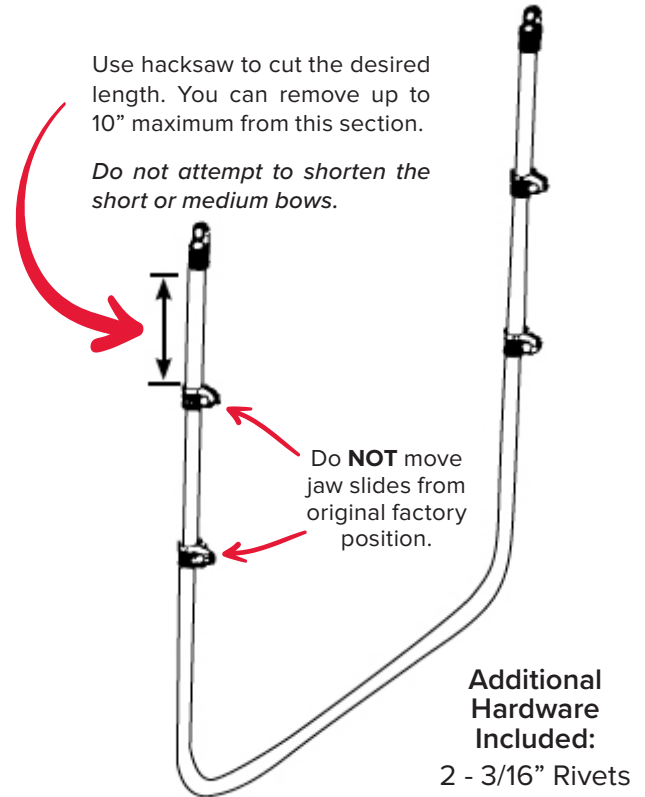
## Supplemental Instructions for Adjusting the Height of the 3-Bow Round Tube 35”H Super Sport and 3-Bow Round Tube 46”H Bimini Top Sizes ONLY

If you wish to shorten the height of the above style bimini tops, you may do so by carefully drilling out the rivets using a 3/16” drill bit. Take caution as to not damage the eye ends. Cut the desired length from the ends of the long bow (see drawing). Do NOT move the jaw slides from their original installed locations.

**Do not attempt to cut down any frame size other than the 35”H and the 46”H tops.**

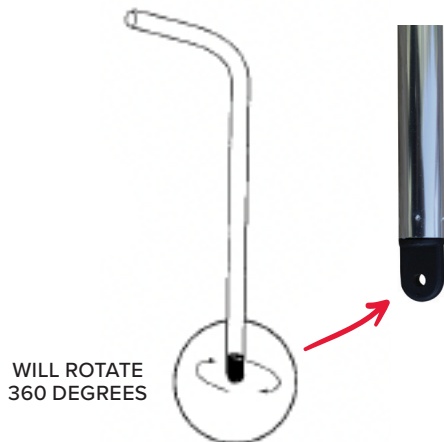
Once the bow has been shortened, reset the eye ends by using a 3/16” drill bit to carefully drill the hole for the rivet. Be sure the eye end is set in the correct position before you drill for the rivet. Use a rivet gun (not included with the exception of full stainless steel frames) to set the rivet in place. Then follow the remaining instructions listed in the instruction sheet.

**Note: Be sure all set screws, fittings and pre-installed hardware are tight.**



## How to Adjust the Inside Eye Ends

1. Inside Eye Ends will rotate
2. Place a soft cloth over the Eye End to avoid marring, and carefully turn the Eye End using a pair of pliers.



### Universal Deck Hinge

with 90-degree stop allows mounting in virtually any position.

### Standard Mount with Screw Heads to the Outside as Shown.

For alternate mounting positions, variations may apply.



Prior to installation and drilling holes in your boat, always verify that the bimini top size ordered and received will fit within the mounting specs on your boat.

**Step 1.** The bimini top is now ready to be inverted and positioned on the boat. This is easier with two or more people, one to hold the top in place, while another marks the positions of the universal deck hinge(s) to be attached to the gunwale of the boat.

**Step 2.** Measure the marked position of the universal deck hinge(s) carefully to make sure they are exactly opposite each other. If not aligned properly, the top may become warped or damaged and unstable while in use, or look unbalanced.

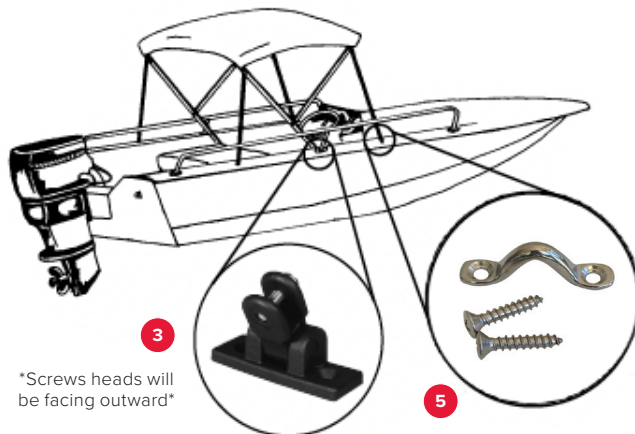
**Step 3.** Use a drill with a 9/64" bit to drill the pilot holes for the universal deck hinge(s). If drilling into fiberglass hollow out the pilot hole to avoid cracking fiberglass when installing the screws. Secure the universal deck hinge(s) with 1", no. 10 sheet metal screws provided.

**Step 4.** Place top on boat, attaching the long bow ends to the universal deck hinge(s) securely. Raise top to desired upright position and adjust each hold-down strap. Straps should be adjusted to a length that attaches to the boat at approximately 45° to 60° angles to hold the top securely to boat.

**Step 5.** Mark the position of the eye straps on the gunwale of the boat, measuring to make sure they are exactly opposite each other on the sides of the boat. Use a drill with a 9/64" bit to drill the pilot holes for the eye straps. Be sure to hollow out the pilot holes with the drill bit if drilling into fiberglass. Secure the eye straps with 1", no. 10 sheet metal screws provided.

**Step 6.** Attach the snap hook to the eye straps and adjust the hold-down straps.

**Step 7.** The desired crown can be achieved by tightening the adjuster straps (included with all 3-Bow and 4-Bow Round Tube Tops) after the bimini top is installed and hold-down straps are secure. The adjuster straps must be properly installed to be effective.



**Please Note:** The process of assembling the bimini frame may cause the width of the frame to expand or retract at the mounting points. If the frame appears too wide or too narrow when you are ready to mount the top on the boat, simply mount one side and, with minimal force, push or pull the opposite side to fit the mounting point on the gunwale.

**Important:** Always check your bimini top for stability. Be sure that all set screws, fittings and pre-installed hardware are tight and secure before using your bimini top.



**If mounting your bimini top to a windshield, you may need shorter screws to prevent cracking the windshield. Please call us at 864-457-5820 for shorter screws.**

**Caution: Always fold down and secure bimini top in the stored position inside the storage boot when trailering your boat.**



Scan QR Code to watch our online video on mounting your top to the boat.



# Round Tube Bimini Top Brace Kit Installation Instructions

## Carver Brace Kits are Available In:

- Aluminum Round Tube w/ Nylon Fittings - Fixed or Adjustable
- Aluminum Round Tube w/ Stainless Steel Fittings - Fixed Only
- Stainless Steel Round Tube w/ Stainless Steel Fittings - Fixed Only

## All Round Tube Brace Kits Contain:

- (2) Braces
- (2) 90° Deck Hinges
- (2) Hinged Jaw Slides w/ Screw and Bolt
- (2) Pole Clips
- (4) #10 x 1" Stainless Steel Screws (for mounting the deck hinges)
- (2) 3/16" Rivets (required only when cutting down braces)



All round tube fixed brace kits are 48" long. Round tube adjustable braces "telescope" from 27" to 44", the desired length being "set" by a joiner section.

The height of fixed aluminum braces may be adjusted by removing and replacing one eye end on each brace. To remove the eye ends, use a 3/16" drill bit to drill out the rivets. Carefully measure and cut down the tubing to the desired length using a hacksaw. To replace the eye ends, use a 3/16" drill bit to carefully drill the hole for the replacement rivets. Be sure each eye end is set in the correct position before drilling for the rivet. Use a rivet gun to set the rivets in place (rivet gun not included).

The height of stainless steel braces is best adjusted by moving the mounting location fore and aft on the gunwale (given the hardness of the metal, stainless steel is not easily cut with household tools).

The typical location to attach the braces to the main (long) bow is 2 inches beneath the rear hold-down straps.

To attach the braces, the bimini top must be deployed (in its upright position). Carefully measure the exact location for the hinged jaw slide on each side of the main (long) bow and mark with a black marker. Be sure the measurement is identical on port and starboard side. Open the hinged jaw slides and fasten each around the main bow at the marked locations by tightening the screw securely. Insert the braces into the jaw slides by inserting the eye ends and securing tightly with the bolts provided. Once the braces are attached to the main bow, determine the mounting locations for the 90° deck hinges. The typical mounting point will create a 45° to 60° angle with the main (long) bow when the braces are mounted to the gunwale. To mount the deck hinges, refer to Steps 2 and 3 in the **Bimini Top Installation Instructions** on Page 7.

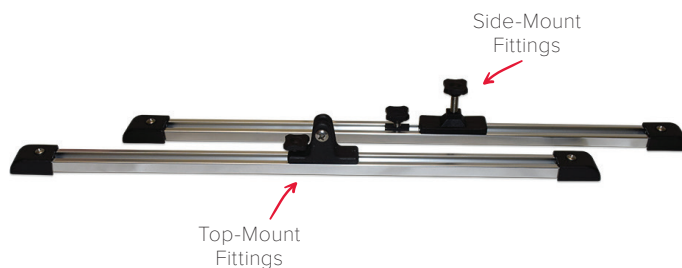




Carver Slide Track Kits are available in 18", 24", 36" 48" and 60" lengths to accommodate virtually any boat and bimini top.

**All Slide Track Kit packages contain:**

- (2) - Aluminum Slide Tracks
- (2) - Sliding Deck Hinges with combined Slide Locks
- (2) - Side-Mount Sliding Deck Hinges
- (2) - Slide Locks (for use with side-mount hinges)
- (4) - End Caps
- All necessary screws for mounting.
- (All screws are #8 x 1" Stainless Steel)



Slide track should be installed on a level surface and may be mounted on top of the gunnel or on the inside of the gunnel (side-mounted).

Determine the location for the slide track. Carefully measure and mark the mounting locations making sure the measurements are identical on port and starboard side so that the tracks will be exactly opposite. Slide tracks are pre-drilled for easy installation.

Use a 1/8" drill bit to drill screw holes. If drilling into fiberglass, it is important to hollow out the drill hole with the drill bit to avoid cracking the fiberglass when screws are tightened. Insert all screws and tighten securely.

Slide the appropriate hinges into the track (combination hinges for standard mount track or side-mount hinges and slide locks for side-mounted track). The locks should be positioned forward of the hinges and tightened to a fixed position. Attach the end caps using the screws provided. The main (long) bow may now be inserted into the track by attaching the eye ends to the deck hinges. Adjust the position of the bimini top by loosening the locks and sliding them into the desired position. Always re-tighten the slide locks after adjusting the position of the bimini top.



# BIMINI TOP ACCESSORIES



### Bimini Top Storage Boot

Let it in the sun. Our 2, 3, and 4-Bow Bimini Tops fold together and out of the way in the protective storage boot. Available in material to match your top.



### Bimini Top Brace Kits (Optional)

Designed to hold your top up and out of the way when top is folded and not in use. Each package includes two 7/8" tubes which can be cut to desired lengths, 2 hinged jaw slides, 2 deck hinges, and all screws necessary for mounting. One pair to a package.



### Slide Track Kit for Tops (Optional)

Designed to allow a retracted top to slide into position, this is an alternative to a brace kit. Each aluminum slide track kit includes 2 slide tracks, 2 sliding deck hinges with combined slide locks, 2 side-mount sliding deck hinges with separate slide locks, 4 end caps and all necessary screws for mounting. One pair to each package.



### Bimini Top Replacement Hold-Down Straps

Constructed of 1" black polypropylene webbing with stainless steel snap hook and stainless steel adjustable buckle. Available in 3 lengths. Packed in sets of two or four.



### Mounting Hardware for Inflatable Boats (Optional)

Bimini top mounting kits for inflatables are available in Hypalon® and PVC/Vinyl. Kits will accommodate any size Carver Round Tube Bimini Top. Each kit contains 4 D-rings, 2 universal deck hinges, 2 quick release pins, special adhesive and detailed instructions.



## BIMINI TOP ACCESSORIES



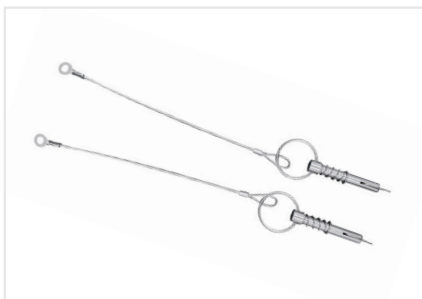
### 10" Trailing Struts (Optional)

Keep your bimini top secure while trailering. Fits any 7/8" round tube bimini top frame. Two 10-inch long struts can be cut down to desired length and are easy to install. All installation hardware is included. One pair per package.



### Privacy Curtain

Great for use as a changing room or portable potty enclosure. Attaches to bimini top with 1" polypropylene straps with quick-release buckles. Height is adjustable up to 60".



### Quick-Release Pins with Lanyard and Eye

Attach and remove your bimini top and/or brace kit from the deck hinges fast and easy with quick-release pins. Quick-release pins are secured to the deck hinge with the existing deck mounting screws, ensuring you don't lose them in the water. If not already pre-drilled for quick-release pins, the existing pivot hole must be drilled out using a 1/4" drill bit (not included) to secure the quick-release pin to the deck hinge.



### Bimini Top Replacement Fabric Adjuster Straps

Used to achieve desired crown and snug fit of a bimini top fabric to the frame. For 3-bow tops, order 2 adjuster straps. For 4-bow tops (without zippered sleeves), order 4 adjuster straps. Constructed of strong 1" black polypropylene webbing with heavy duty Stainless Steel adjuster buckle.

**Need more help?** See video demonstrations of assembly and installation procedures on our website, [CarverCovers.com](http://CarverCovers.com)!

Carver by Covercraft produces quality Boat Covers, Personal Watercraft Covers and Bimini Tops. We take great pride in the craftsmanship and attention to detail that goes into all of our products.

For more information and information about additional products, call us at 864-457-5820 or visit [CarverCovers.com](http://CarverCovers.com).



# Bimini Top Care Instructions & Limited Warranty Information

## CARING FOR YOUR BIMINI TOP CANVAS:

Clean bimini top canvas regularly to remove salt, pollen and environmental pollutants that could support the growth of mildew. To keep your canvas looking its best, regularly brush off any loose dirt or soil with a soft brush and rinse with lukewarm water (100° F maximum). To clean, a solution of lukewarm water and mild, **non-detergent** soap (such as Dreft, Ivory, Lux or Woolite) may be used. Rinse thoroughly and allow to air dry. The use of detergents is not recommended as it may diminish the water repellent finish on certain fabrics. Never machine wash, dry clean or iron the canvas. To spot clean stubborn soil or stains, a solution of 1/4 cup mild natural soap and 1 cup of bleach per gallon of lukewarm water may be used. Mist the soiled area and clean vigorously with a sponge, soft brush or clean towel. Rinse thoroughly and allow to air dry.

If water repellency is diminished, we recommend re-treating the canvas with 303® Fabric Guard. Allow canvas to dry thoroughly before folding for storage. Always fold down and secure bimini top in the stored position inside the storage boot when trailering your boat and/or when the top is not in use. Never allow water or snow to “pool” on the bimini top.

## CARING FOR YOUR BIMINI TOP FRAME:

To maintain the appearance of your bimini top frame, simply wipe regularly with a soft, non-abrasive cloth and warm water to remove environmental pollutants, finger prints and other outdoor soils. If desired, mild, non-detergent soap may be used. Rinse thoroughly and wipe dry.



Scan QR Code for more information on bimini top care and maintenance.

## Carver Bimini Top Limited Warranty

Carver guarantees that the materials and craftsmanship of their products are free from defects upon manufacturing.

The length of the warranty depends on the specific product line and material type and starts from the original date of purchase for the original owner (replacements or pro-rated replacements do not extend the warranty). The length of the warranty is determined by the type of material ordered.

The warranty does not cover natural events, normal wear and tear, weather damage, stains from pollution or water, cuts from sharp objects, neglect, accidents, or misuse. Tree sap, improper chemicals, cleaning agents, gasoline, oils, and other liquids not recommended for cleaning are also not covered. Any damage caused by animals such as rodents, birds, pets or insects is not covered in the warranty.

Proper installation, usage, and maintenance of the boat cover, PWC cover, or Bimini Top are necessary for warranty coverage.

Carver fabrics are water resistant, not waterproof; they must be breathable to allow condensation, heat, and moisture to evaporate from under the cover. Damage from pooled water will not be included in these warranties.

Please visit [www.CarverCovers.com/About-Carver/Product-Warranty-Information/](http://www.CarverCovers.com/About-Carver/Product-Warranty-Information/) for detailed limited warranty information or scan QR code below.



Call before returning product under warranty to receive a Return Merchandise Authorization Number (RMA#) at 864-457-5820, then send warranty claims to:

### Mailing/Shipping Address

Carver by Covercraft Industries, LLC  
212 N. Lyles Ave., Landrum, SC 29356

Please enclose a note describing the defect and be sure to include your full name, address and phone number inside the package.

**\*If you need return assistance with your order that is less than 30 days old - please contact the original place of purchase for return authorization.**