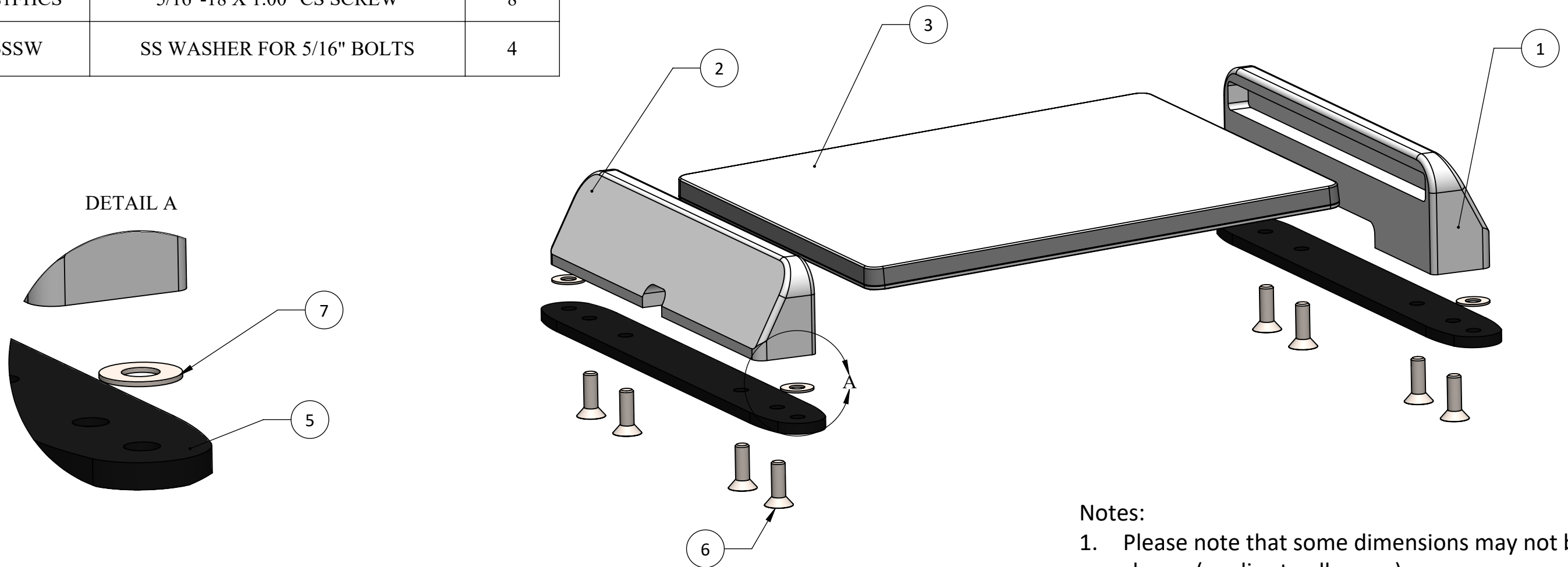




ITEM NO.	PART NUMBER	DESCRIPTION	QTY.
1	GMDM100A	TALL END CAP	1
2	GMDM100B	SHORT END CAP	1
3	--	STARLINK MINI (NOT INCLUDED IN KIT)	1
4	CG2090W	HORIZONTAL ENTRY CABLE SEAL (INCLUDED; NOT SHOWN)	1
5	GMDM100C	MOUNTING PLATE	2
6	516181FHCS	5/16"-18 X 1.00" CS SCREW	8
7	516SSW	SS WASHER FOR 5/16" BOLTS	4

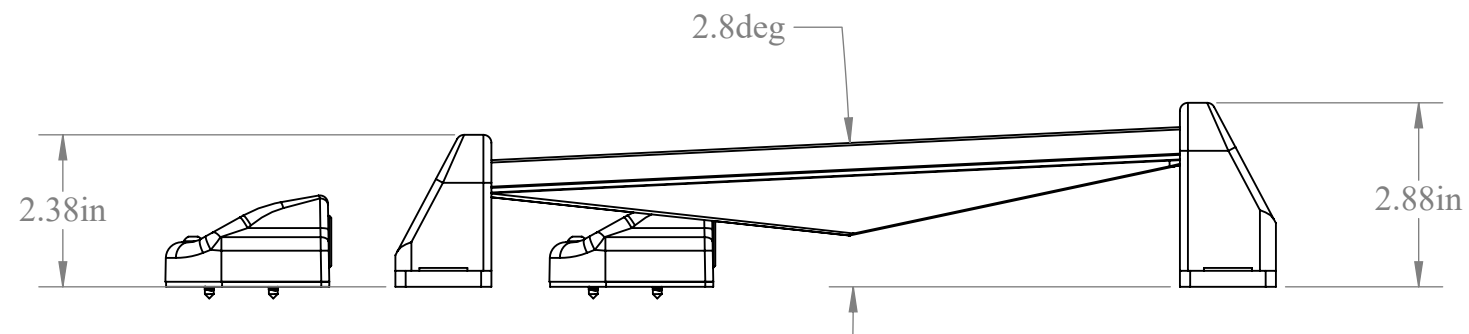
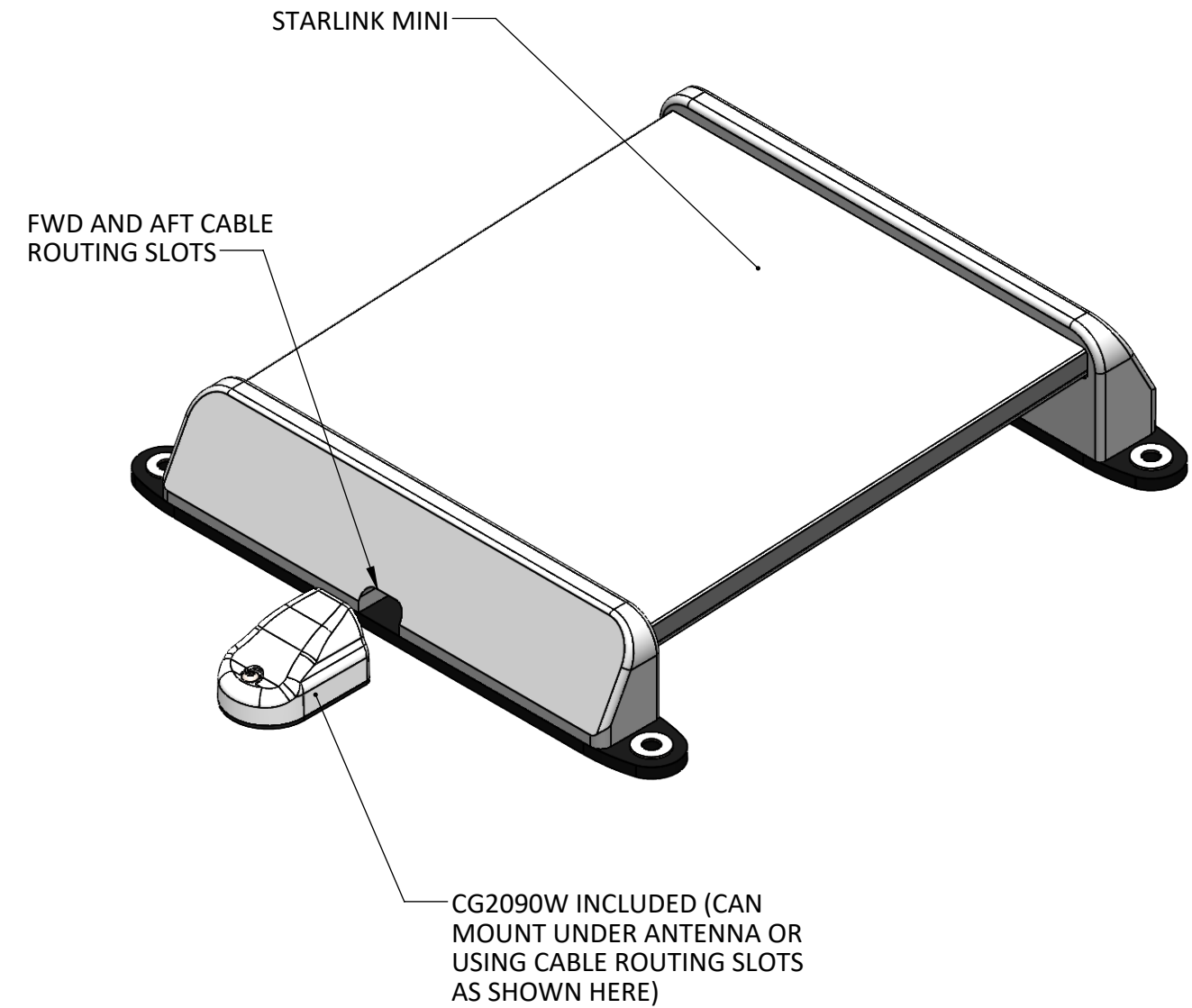
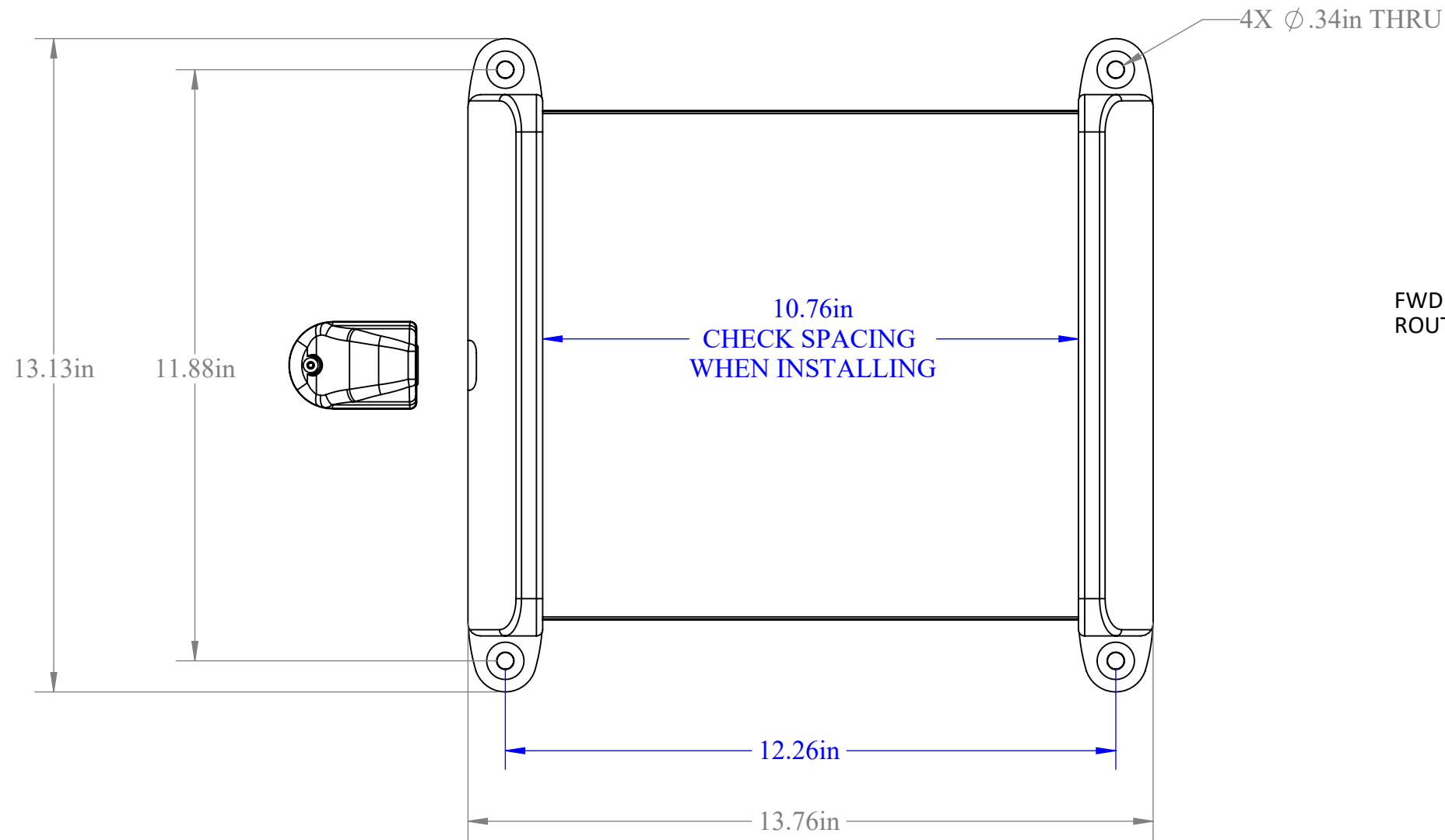


Notes:

1. Please note that some dimensions may not be shown (applies to all pages)
2. Do not scale drawing (applies to all pages)

APXMDM

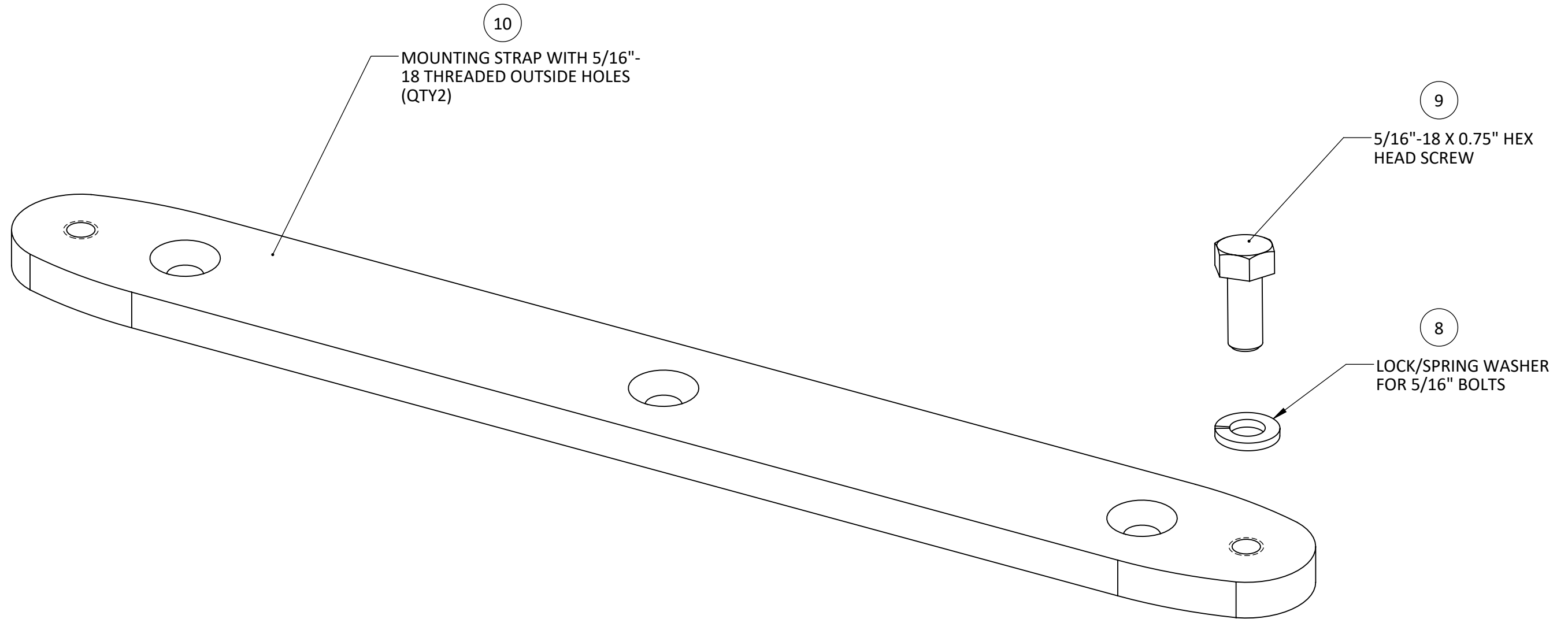
For help e-mail  
[info@seaviewglobal.com](mailto:info@seaviewglobal.com)  
 ph. 1-800-655-7922



APXMDM

For help e-mail  
info@seaviewglobal.com  
ph. 1-800-655-7922

Below are the additional items provided with the APXMDMRB kit that are NOT listed in the BOM on page 1. **Please skip to step 6 if you are installing the removable kit; sold separately (APXMDMRB).**



## APXMDMRB

For help e-mail  
info@seaviewglobal.com  
ph. 1-800-655-7922

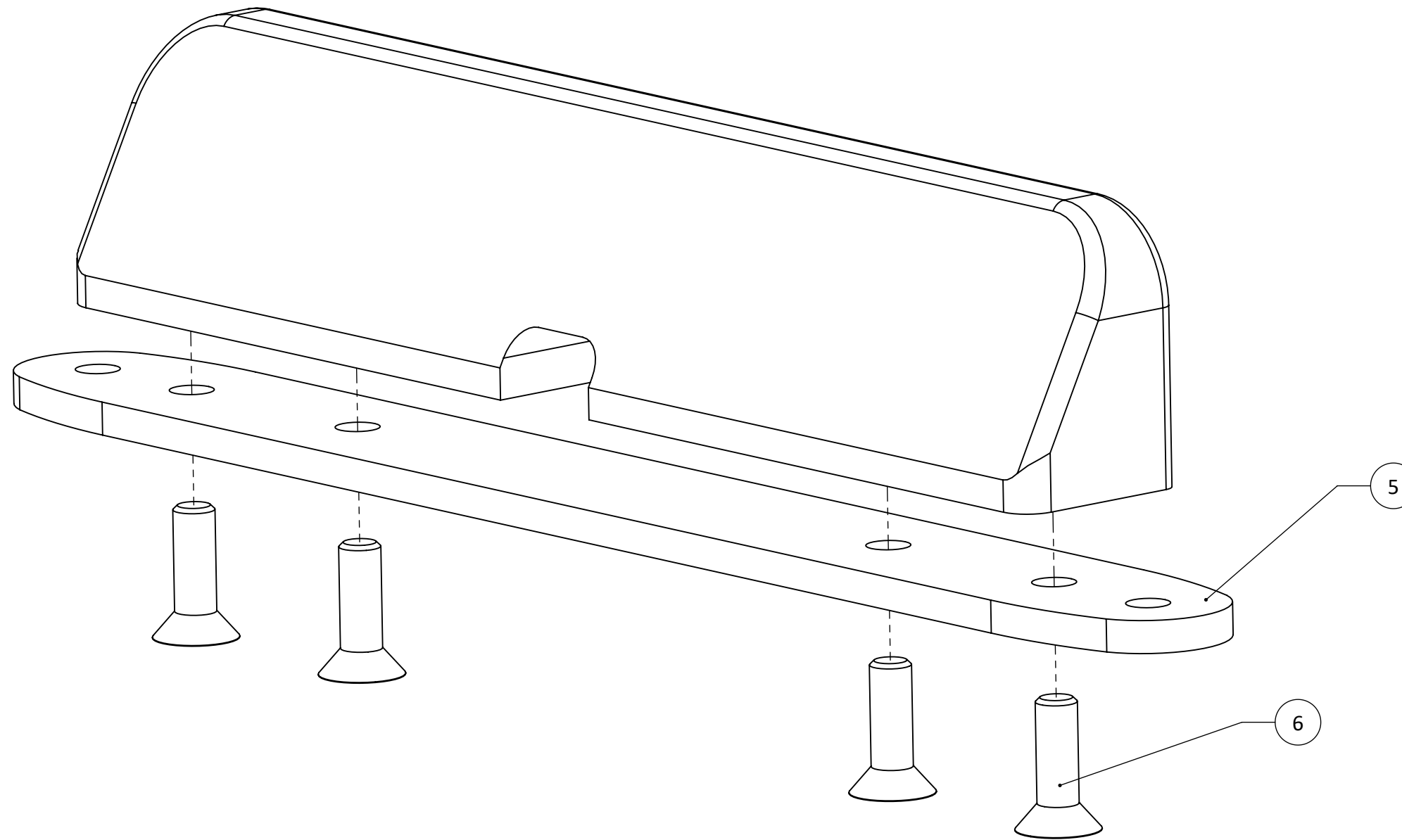


***INSTALLATION INSTRUCTIONS  
BEGIN ON NEXT PAGE***

---

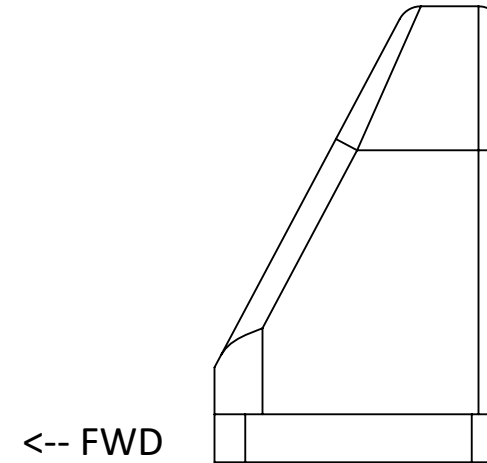
For help e-mail  
[info@seaviewglobal.com](mailto:info@seaviewglobal.com)  
ph. 1-800-655-7922

**1** Attach one mounting plate (item 5 from BOM on page 1) to each end cap using the provided countersunk screws (item 6).



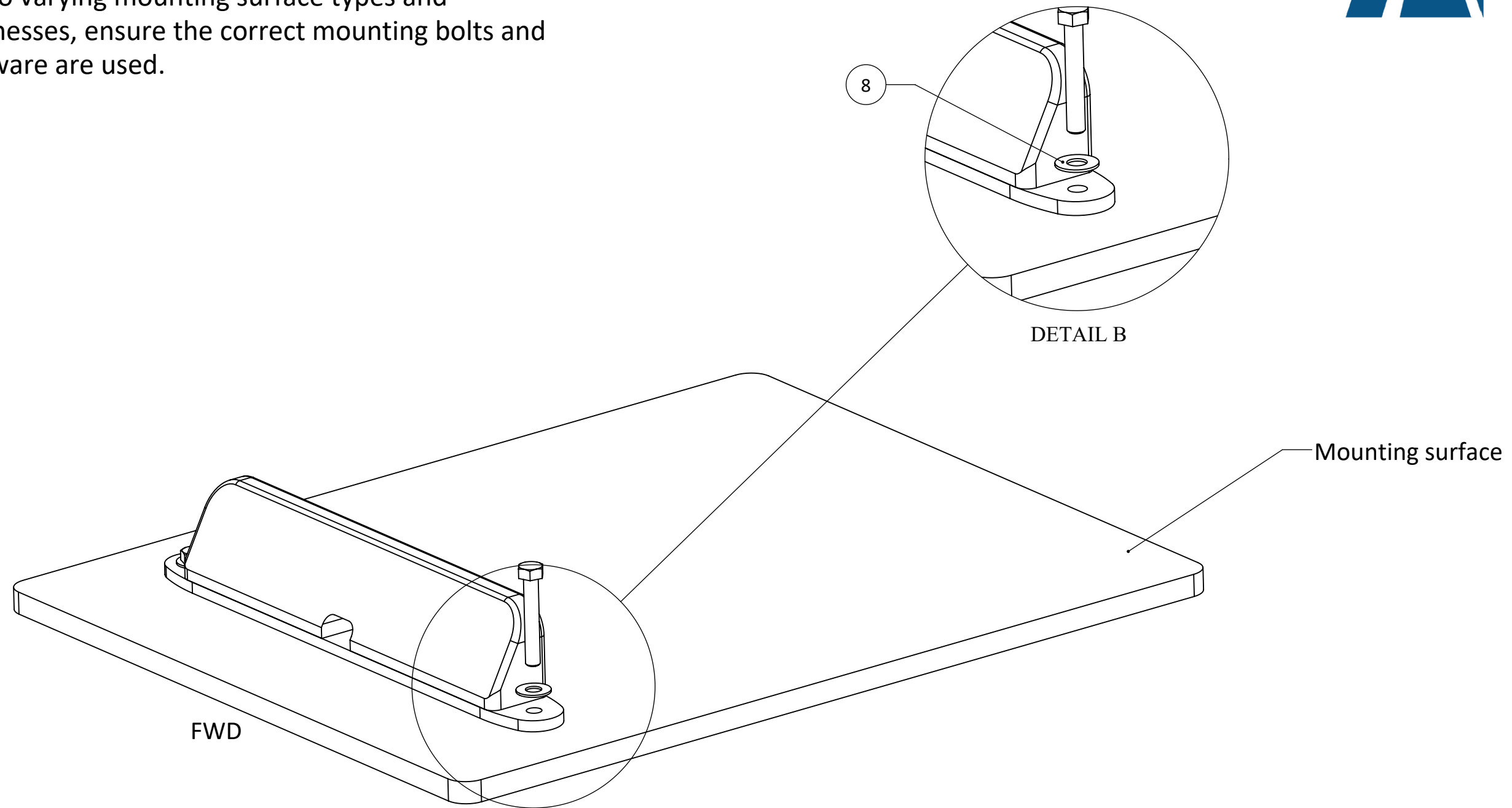
For help e-mail  
info@seaviewglobal.com  
ph. 1-800-655-7922

**2** Determine desired mounting location. Use dimensions provided on page 2 to help with this process. Use one of the mounting plates, with the short end cap attached from previous step, to mark and drill holes. It is recommended that the angled surface of the short end cap faces forward.



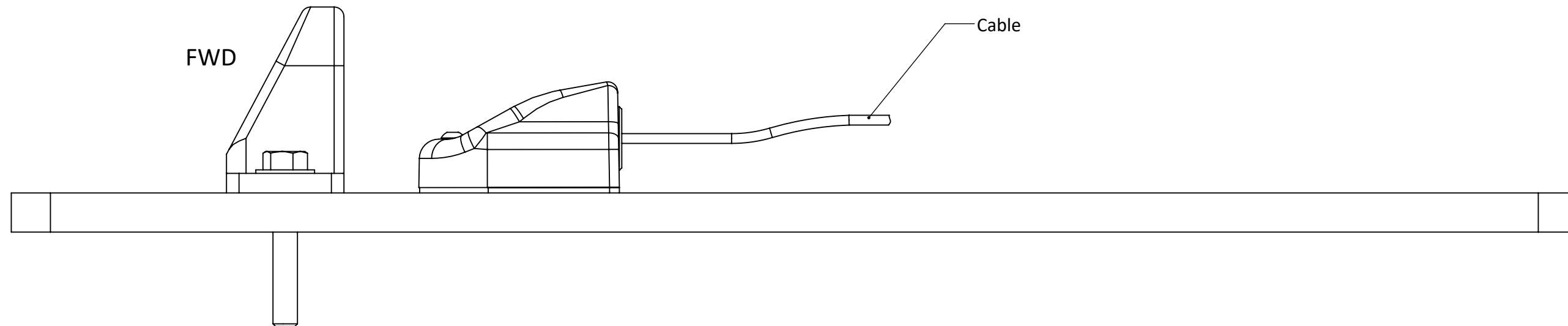
For help e-mail  
info@seaviewglobal.com  
ph. 1-800-655-7922

**3** Using stainless washers (item **8**), bolt the short end cap down using nyloc nuts (or similar). Due to varying mounting surface types and thicknesses, ensure the correct mounting bolts and hardware are used.



For help e-mail  
[info@seaviewglobal.com](mailto:info@seaviewglobal.com)  
ph. 1-800-655-7922

**4A** If mounting cable seal underneath antenna, mark and drill cable seal holes, then route cable through seal using the following instructions: [click here](#). Please note that the antenna is hidden in the view below.



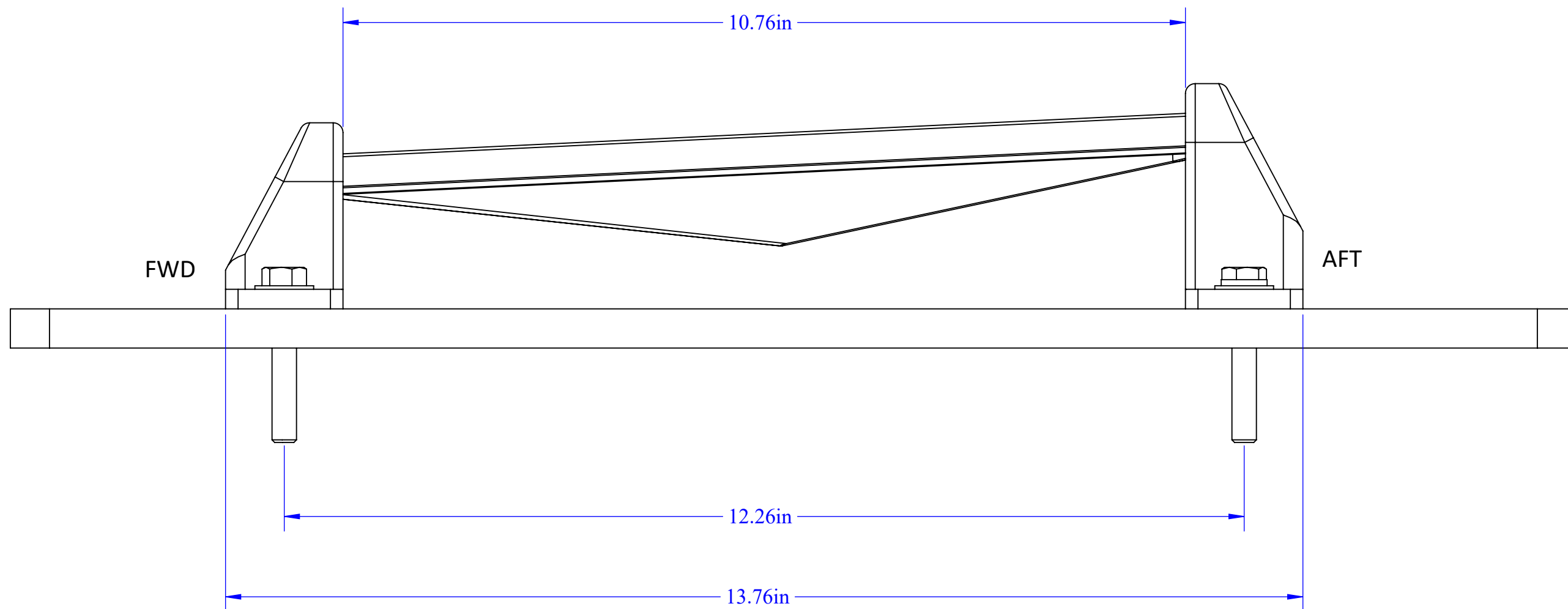
For help e-mail  
info@seaviewglobal.com  
ph. 1-800-655-7922



**4B** After cable seal is mounted in the desired location (reference page 2 & 8), slide antenna into forward facing end cap with antenna exit facing forward. Make sure the antenna is pushed in all the way and that the kickstand is removed.

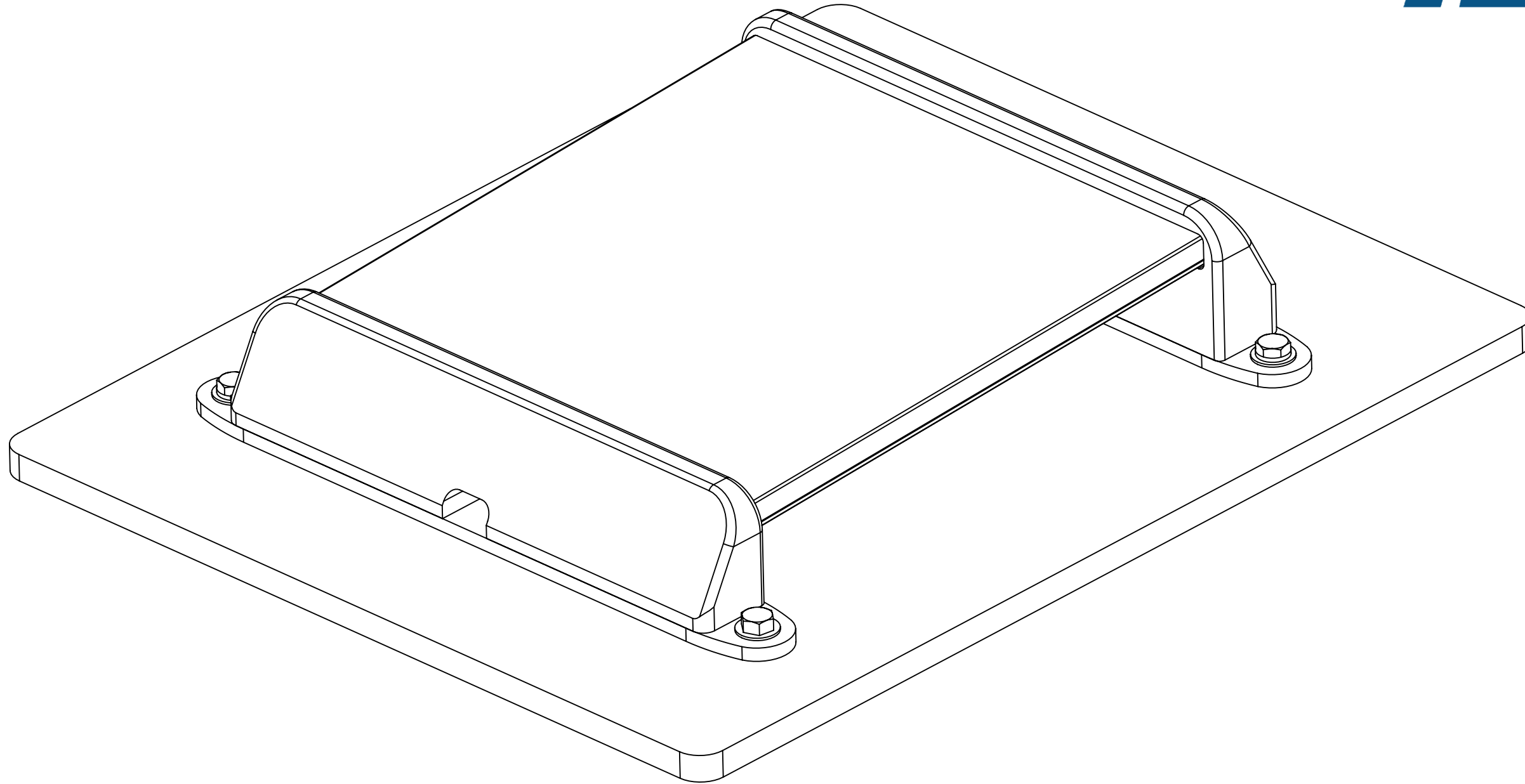


Push aft facing tall end cap as far as it can insert into antenna end, and mark and drill holes. Ensure aft mounting plate is parallel with forward mounting plate. Furthermore, keep in mind the distance that should be maintained between both end caps (reference dimensions in blue). Once one of the blue reference dimensions are confirmed, bolt down the aft end cap using the same hardware from step 3.



For help e-mail  
info@seaviewglobal.com  
ph. 1-800-655-7922

5

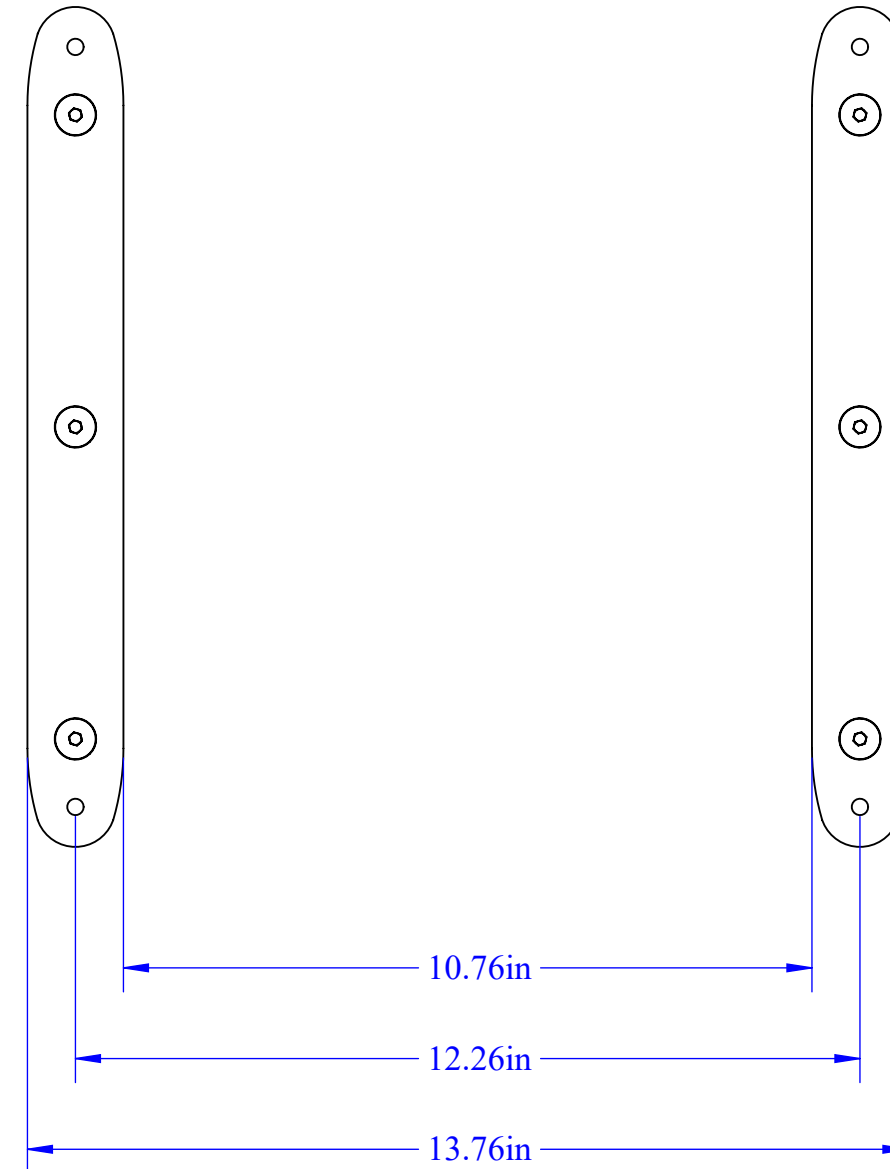
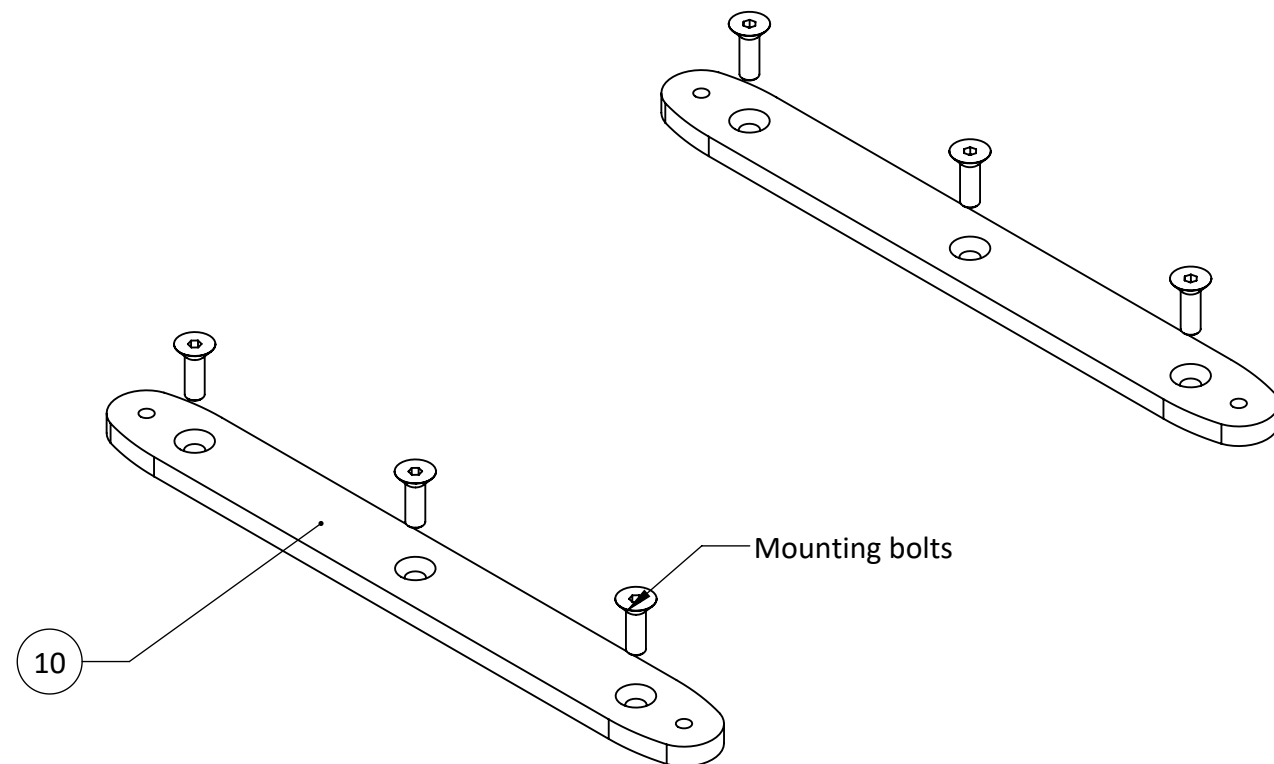


For help e-mail  
[info@seaviewglobal.com](mailto:info@seaviewglobal.com)  
ph. 1-800-655-7922



**6** Please note that steps 6-9 are for installing the removable base kit; sold separately (APXMDMRB). Please bolt item (10) to the desired mounting surface using nyloc nuts (or similar). The mounting bolts must be 5/16"-18 thread countersunk bolts (82° head angle). Length will vary depending on mounting surface.

Please keep in mind the distance that should be between both end caps (reference dimensions in blue).

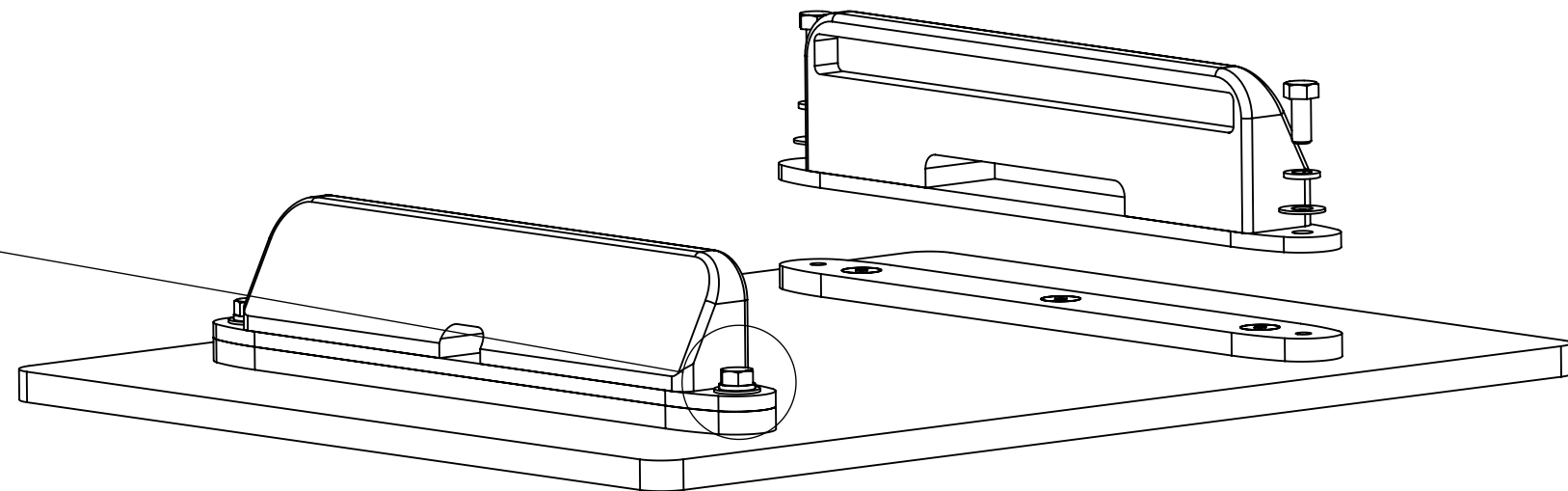
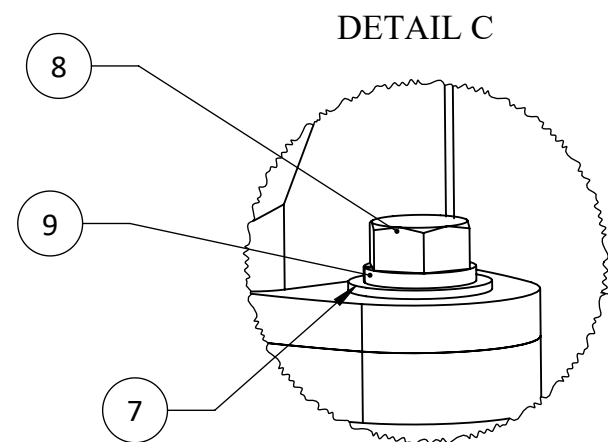
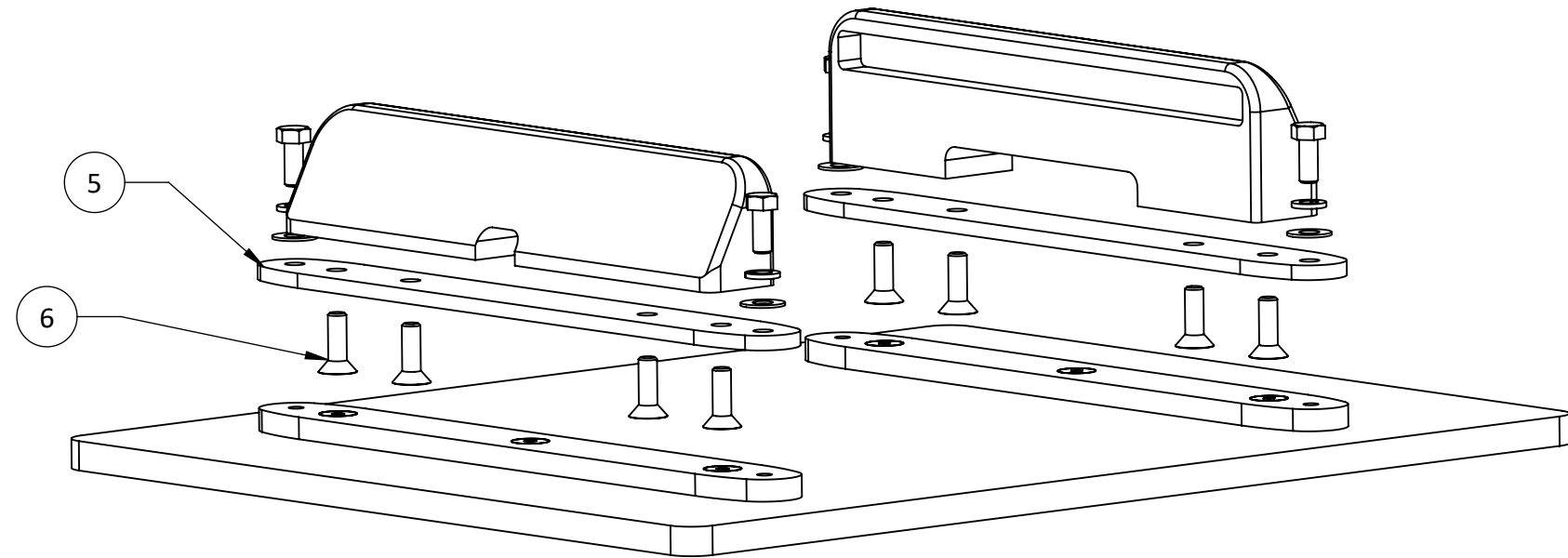


For help e-mail  
info@seaviewglobal.com  
ph. 1-800-655-7922

**7** Attach one mounting plate (item 5 from BOM on page 1) to each end cap using the provided countersunk screws (item 6).

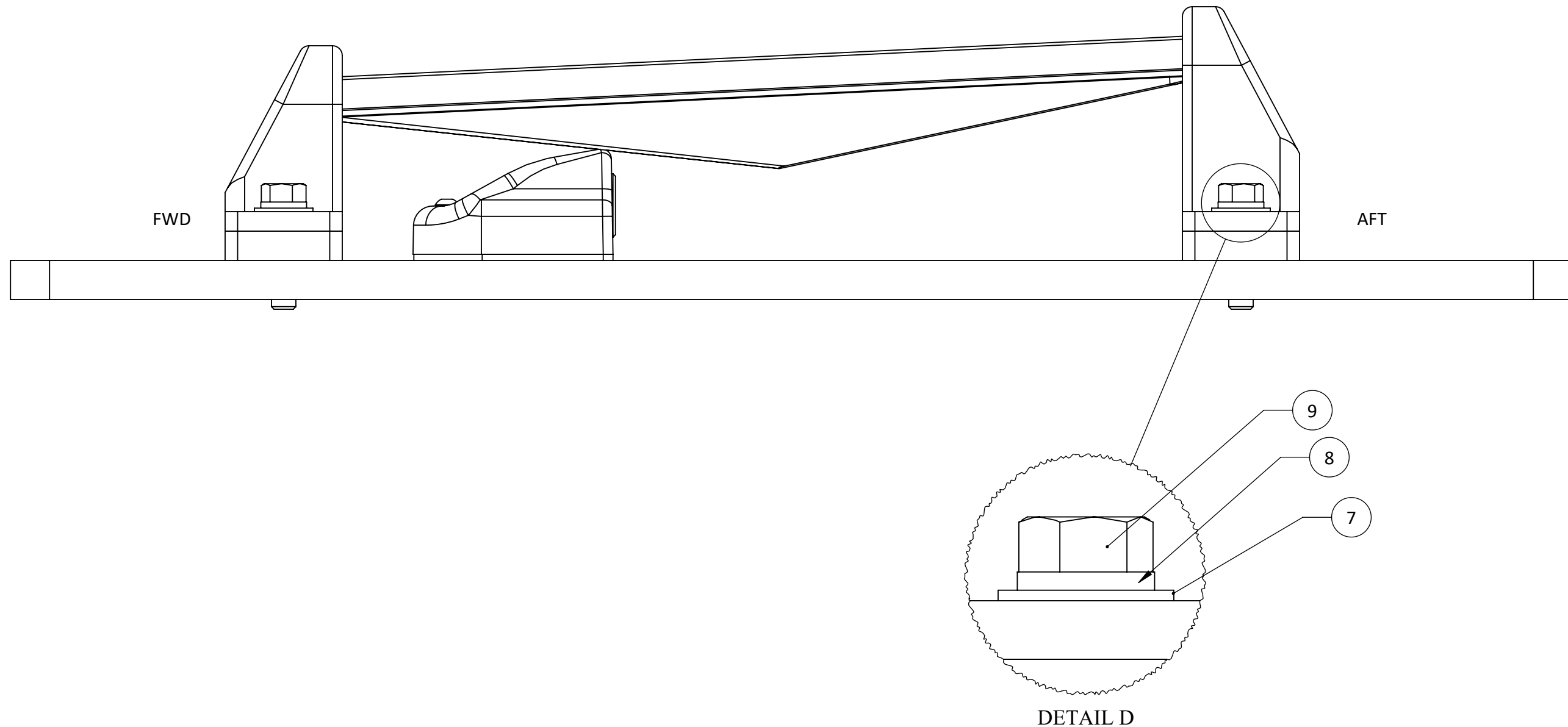


Then, use items 7 - 9 to secure the forward end cap only. This will allow you to correctly install the antenna in the following step.



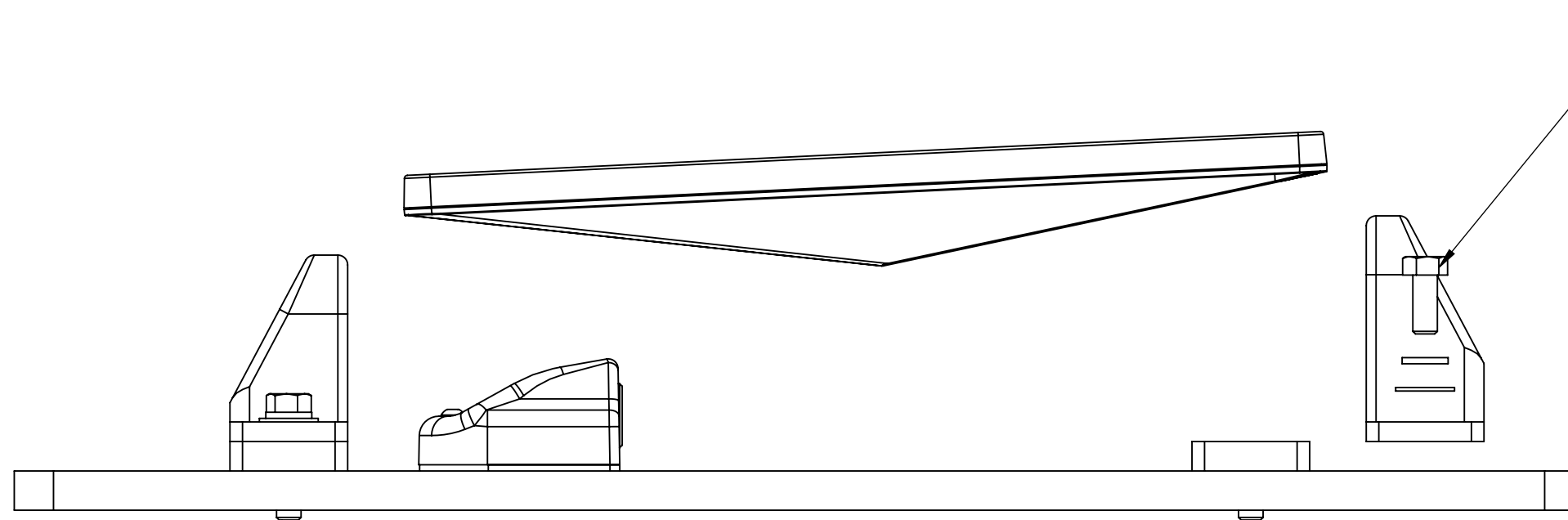
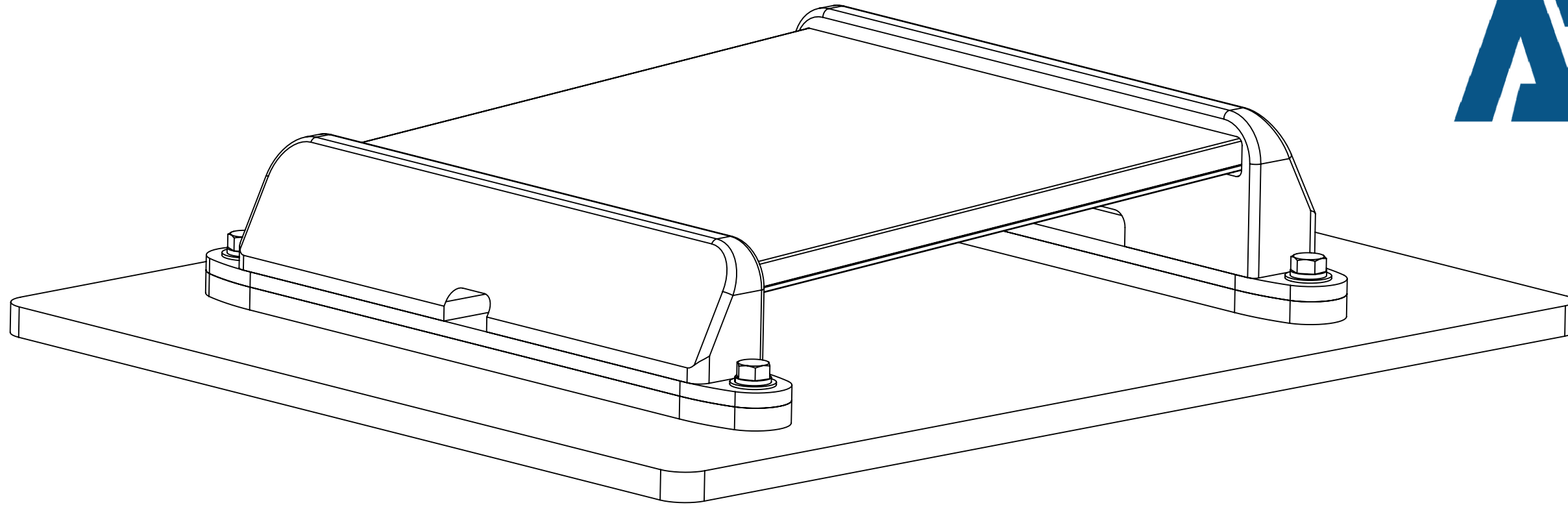
For help e-mail  
info@seaviewglobal.com  
ph. 1-800-655-7922

**8** After cable seal is mounted in the desired location (reference page 2 & 8), slide antenna into forward facing end cap with antenna exit facing forward. Make sure the antenna is pushed in all the way and that the kickstand is removed. Now, slide antenna into aft tall cap and secure using items **7** - **9**.



For help e-mail  
info@seaviewglobal.com  
ph. 1-800-655-7922

9



To remove antenna,  
simply unbolt one or both  
end caps by unscrewing  
the hex head bolts.

For help e-mail  
[info@seaviewglobal.com](mailto:info@seaviewglobal.com)  
ph. 1-800-655-7922