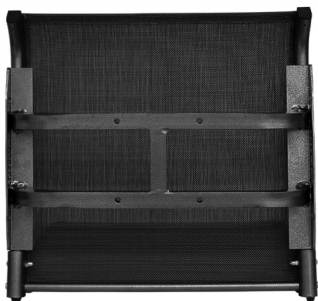




INSTALLATION INSTRUCTIONS



Included Hardware:

- (4) Lock Nuts
- (8) Washers

Pedestal Application

- (4) 1/4 20 x 2" Bolts

Swivel Application

- (4) 1/4 20 x 1.5" Screws

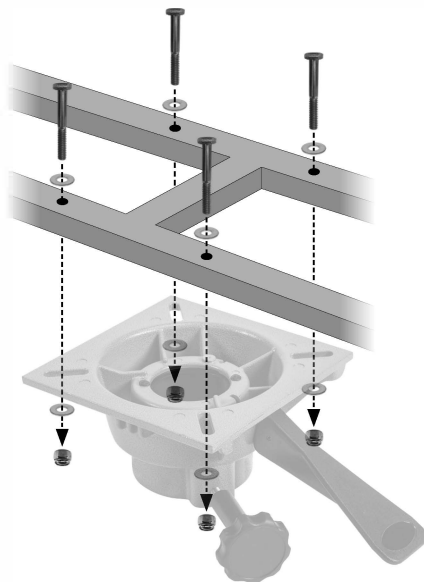
INSTALLATION: The Wise Aero X Cool-Ride Boat Seat can be mounted to any standard marine pedestal or swivel system.

Using the provided hardware, bolt the seat to your pedestal or swivel per the diagrams shown below.

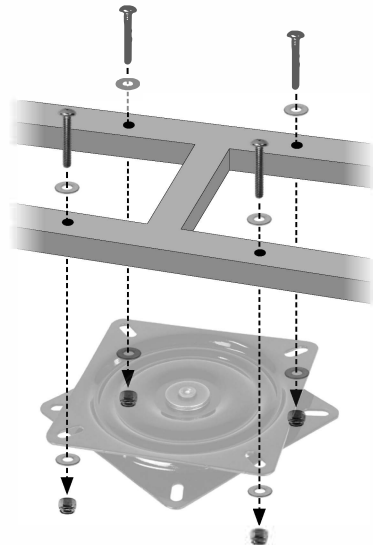
NOTE: *Overtightening can lead to damaging the seat frame.*

CLEANING: Use mild dish soap and water for general cleaning. For more difficult stains, we recommend using Wise Vinyl Cleaner, 303 Multi-Surface Cleaner or Boat Bling Vinyl Sauce.

PEDESTAL APPLICATION



SWIVEL APPLICATION



WISE

Memphis, TN • 800-251-2622 • www.wiseseats.com