



SWIFT. SILENT. SECURE.

3/8" HYDRAULIC HOSE EXTENSIONS KIT 3', 5' & 10'

INSTRUCTIONS

Green Marine included with 10' Extensions only.

WARNING: If installing extensions on a pressurized system pressure must be released.

INSTALLATION:

NOTE: If Power-Pole hydraulic hose is not connected to (HPU) hydraulic pump system, Skip steps 1 - 3.

STEP 1 Lower the Power-Pole down so that the Power-Pole Everflex spike is about a foot off ground.

WARNING: Be careful not to touch the fiberglass portion of the spike with bare hands because it may become fibrous after sun exposure and use.

STEP 2 Manually push up on the Power-Pole to relieve the hydraulic pressure in the system.

STEP 3 Disconnect the (UP) hydraulic hose from (HPU) hydraulic pump system. **(FIG. 1)**

NOTE: Be careful not to get dirt or contaminants in hydraulic hose when disconnecting it from pump system.

STEP 4 Now remove dust cap from male fitting on the (Up) labeled hose extension and finger tighten the female fitting from the Power-Pole anchor labeled (UP) onto it. **(FIG. 2 & 3)**

Installation Tools:

- 5/8" wrench
- 7/16" wrench

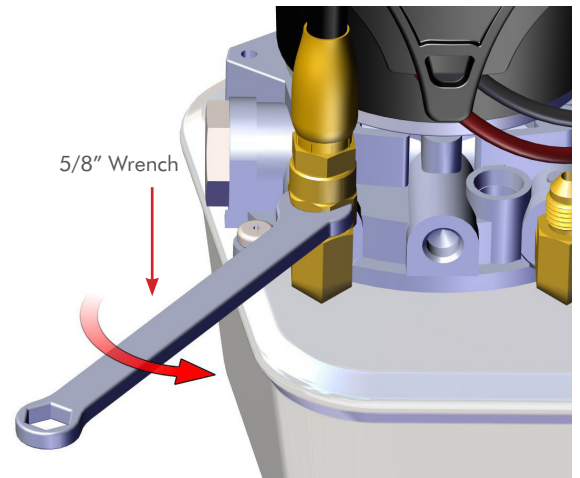


Figure 1

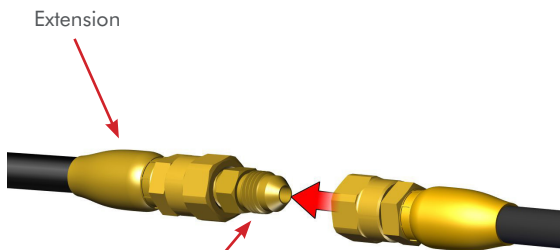


Figure 2

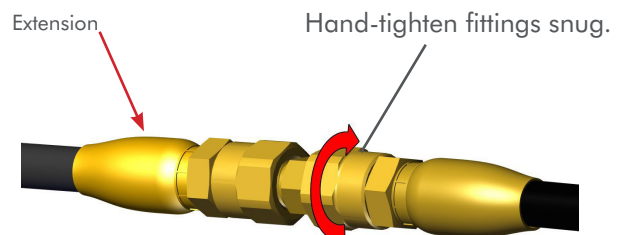


Figure 3

NOTE: This coupling union has been tightened from the factory.

3/8" HYDRAULIC HOSE EXTENSIONS KIT 3', 5' & 10' INSTRUCTIONS

(continued)

STEP 5 While holding the male fitting in place with a 7/16" wrench tighten both female fittings a quarter turn with a 5/8" wrench. (FIG. 4 & 5)

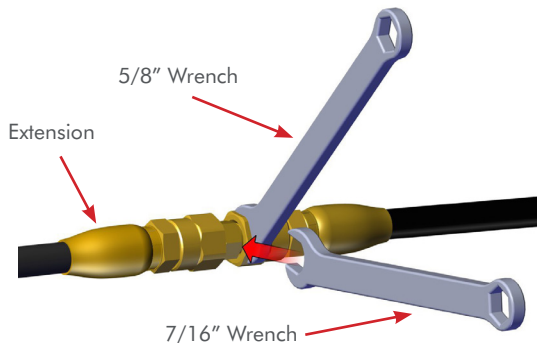


Figure 4

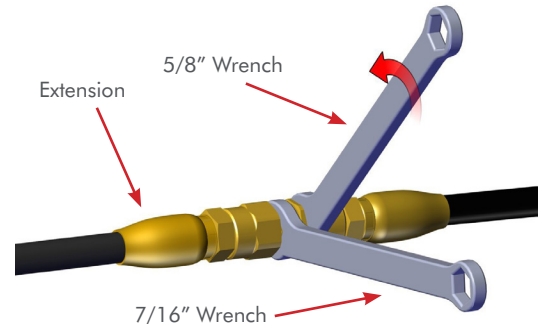


Figure 5

STEP 6 Finger tighten the (Up) labeled hose extension to the (HPU) hydraulic pump unit and then tighten a quarter turn using 5/8" wrench. (FIG. 6)
Repeat steps 3 through 6 for the (Down) labeled hose extension.

PRIMING THE (HPU) HYDRAULIC PUMP UNIT

STEP 1 Connect power to (HPU)

STEP 2 Manually place the Power anchor in the deployed position.

STEP 3 Using the advanced dash switch remote control set to slow speed, hold the down button until the RED LED on the dash switch stops flashing and the pump stops running. (Approximately 20 sec.) Repeat this process two more times.

NOTE: The HPU will have a high pitch whining sound while priming until the air has dissipated from hydraulic fluid.

STEP 4 Check the fluid level in the reservoir and add if necessary.

STEP 5 Hold the up button until the RED LED on the dash switch stops flashing and the pump stops running. (Approximately 20 sec.) Repeat this process two more times or until the Power-Pole anchor is fully retracted.

STEP 6 With the Power-Pole anchor in the retracted state, hold the down button until the RED LED on the dash switch stops flashing and the pump stops running. Then hold the up button until the RED LED on the dash switch stops flashing and the pump stops running. Repeat this step once.

STEP 7 Set the dash switch to medium speed.

STEP 8 Hold the down button until the RED LED on the dash switch stops flashing and the pump stops running. Then hold the up button until the RED LED on the dash switch stops flashing and the pump stops running. Repeat this step once.

STEP 9 With the Power-Pole anchor in the retracted state, manually apply a force to attempt to deploy the Power-Pole anchor. If the Power-Pole anchor does not stay in the retracted state, repeat step 8 until it does.

STEP 10 Once on the water, navigate to an area that is deep enough to fully deploy your Power-Pole anchor without it touching the bottom.

STEP 11 Using the dash switch set to medium speed, fully deploy and retract the Power-Pole anchor six times.

STEP 12 Your Power-Pole anchor should be completely primed at this point, but if you suspect it isn't, repeat step 11 until it is or contact JL Marine System's Inc. for Technical Support at 813-689-9932 Option 2.

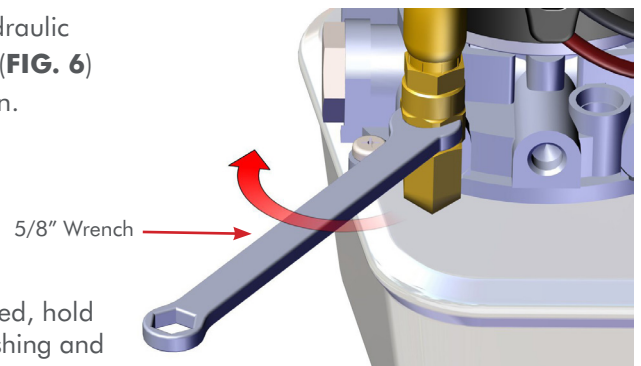


Figure 6

Need help? Contact our Technical Support Team at **1 + 813.689.9932 Option 2**