



# MICRO ADJUSTABLE MOUNTING BRACKET INSTALLATION INSTRUCTIONS

## Included hardware:

- A** Qty. (1) Adjustable mounting bracket
- B** Qty. (4) 5/16" Mounting bracket bolts
- C** Qty. (4) 5/16" Lock nuts
- D** Qty. (4) 5/16" Fender washers
- E** Qty. (1) 5/16" White thru-hull bushing (optional)

## Installation tools:

- 1/4" Allen wrench
- 1/2" Wrench or 1/2" socket with ratchet
- 1 1/32" drill bit with drill

## MOUNTING OPTIONS

**IMPORTANT:** In all options the bottom of the Micro Driver Unit must be mounted above the water line of the boat.

### DECK MOUNT (FIG. 1)

**NOTE:** Before drilling holes, mock up Micro unit with spike installed and attached to mounting bracket to ensure no interferences in the desired mounting location.

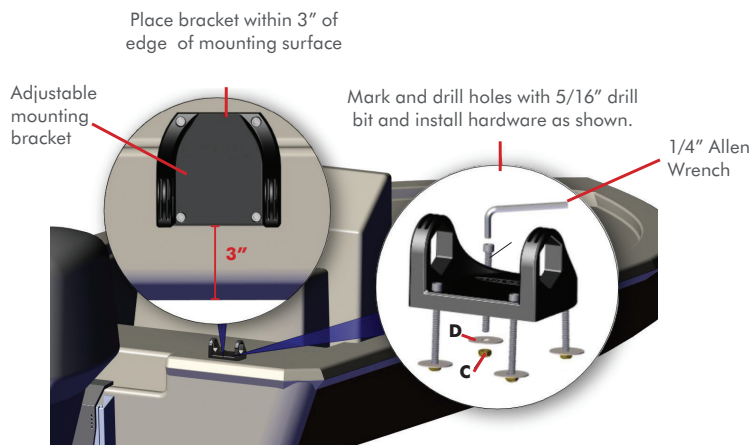


Figure 1

### TRANSOM MOUNT (FIG. 2)

Place bottom edge of bracket even or higher than the boat's water line

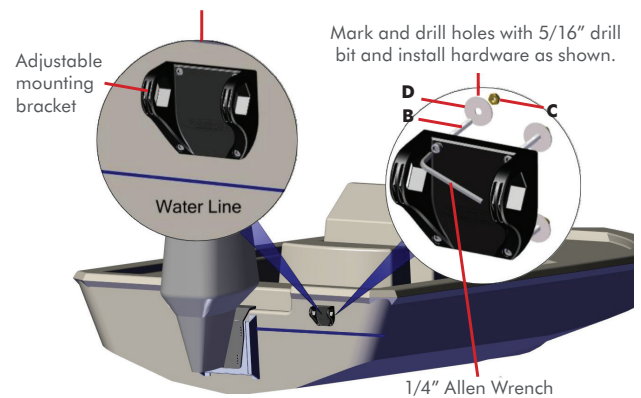


Figure 2

## THRU-HULL BUSHING FOR POWER-CORD

**IMPORTANT:** If using the thru-hull bushing (E) it must be installed above the water line.

Drill a hole into boat with 1 1/32" drill bit, insert bushing (E) and route power-cord through to 12 volt power source.

# MICRO ADJUSTABLE MOUNTING BRACKET INSTALLATION INSTRUCTIONS (continued)

## ADDITIONAL MOUNTING OPTIONS

**ADAPTER PLATE (FIG. 3)**  
To order go to [power-pole.com](http://power-pole.com) or an authorized dealer.

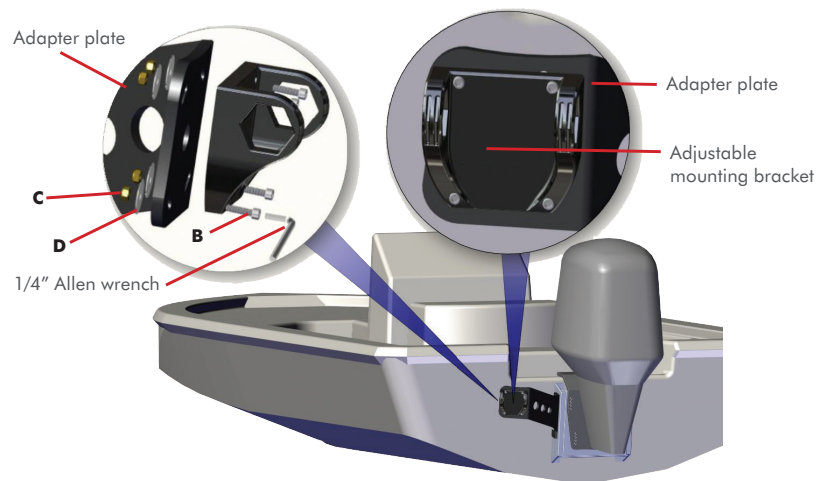


Figure 3

**TRANSOM CLAMP (FIG. 4)**  
To order go to [power-pole.com](http://power-pole.com) or an authorized dealer.

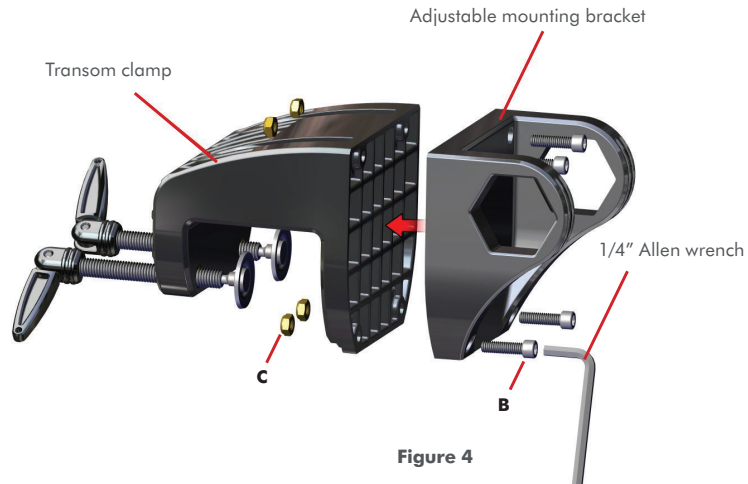


Figure 4

Need help? Contact our Technical Support Team at **1 + 813.689.9932 Option 2**