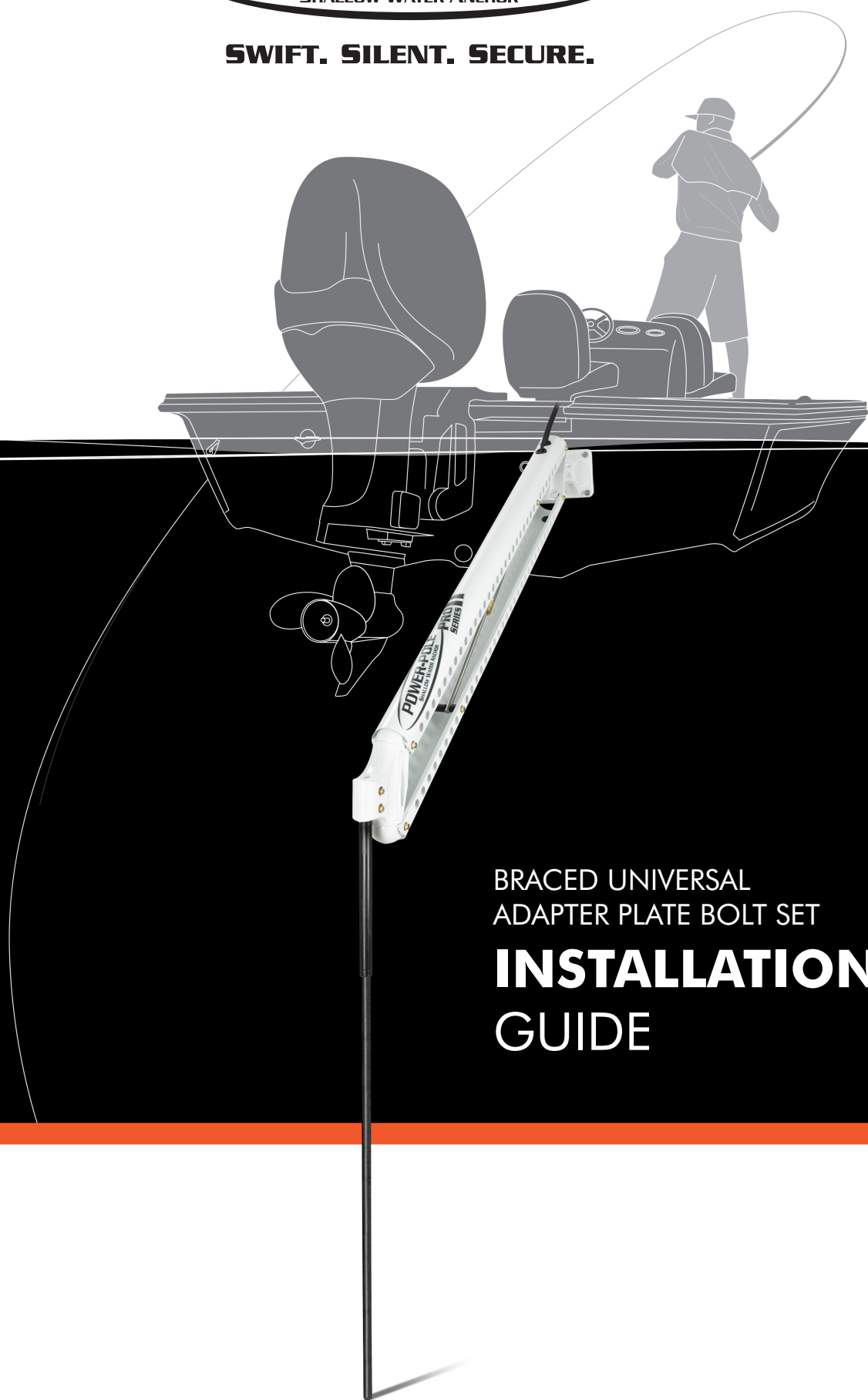




SWIFT. SILENT. SECURE.



BRACED UNIVERSAL
ADAPTER PLATE BOLT SET

INSTALLATION GUIDE

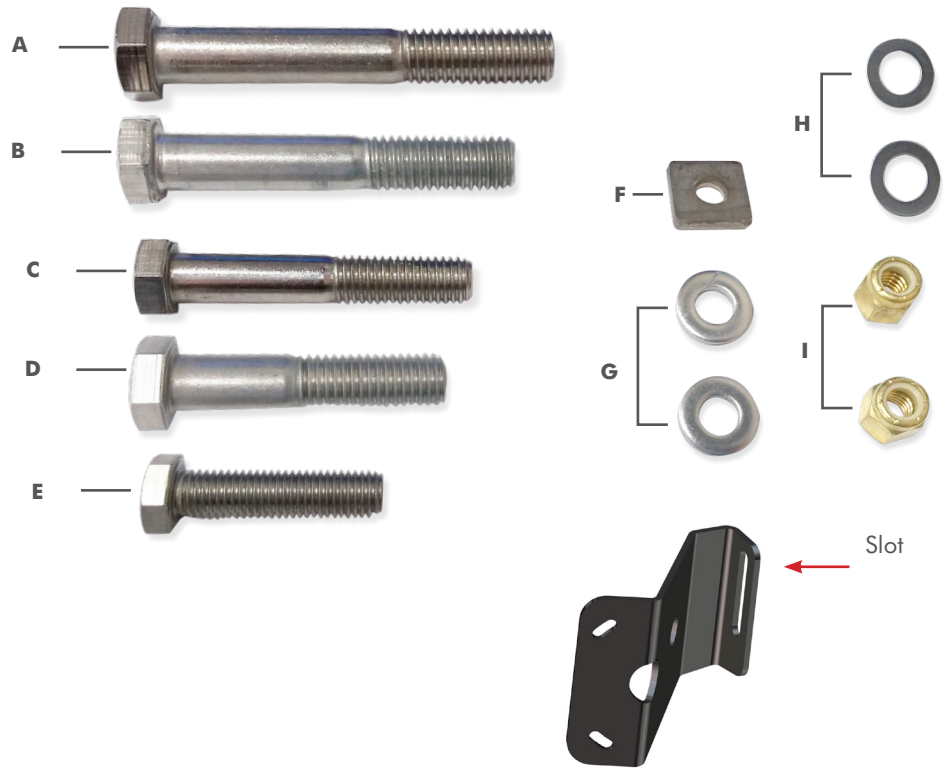
UNIVERSAL BRACED ADAPTER PLATE BOLT SET INSTRUCTIONS

Hardware (Included) :

- A. (1) 1/2" x 3-1/2" Bolt
- B. (1) 1/2" x 3-1/4" Bolt
- C. (1) 1/2" x 2-3/4" Bolt
- D. (1) 1/2" x 2-1/2" Bolt
- E. (1) 1/2" x 2-1/4" Bolt
- F. (1) 1/2" Square Washer
- G. (2) 1/2" Heavy Flat Washers
- H. (2) 1/2" Thin Washers
- I. (2) 1/2" Nylon Lock Nuts

Installation Tools:

- 3/4" Socket
- 3/4" Wrench
- Ratchet
- Torque Wrench



Side-Mount Brace

Pre-Installation Notes: Read Before Install

Locate your Jack Plate model and follow the mounting diagram to install the Adapter Plate.

Check Jack Plate for a "P" for port or "S" for starboard mount.

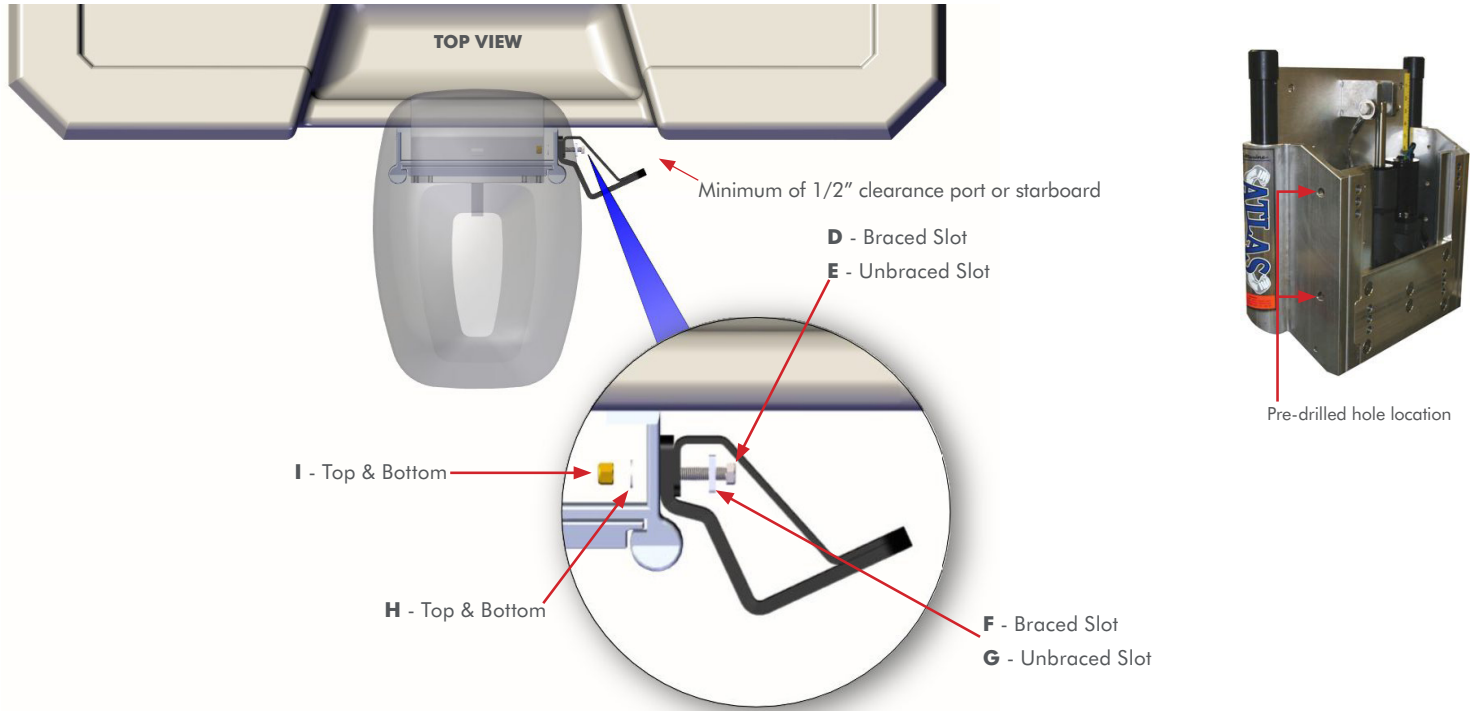
Check for clearance issues when installing. Plate height may be adjusted using the **slots** on Adapter Plates.

If no pre-drilled holes exist on the Jack Plate, locate the matching template in the back of this guide.

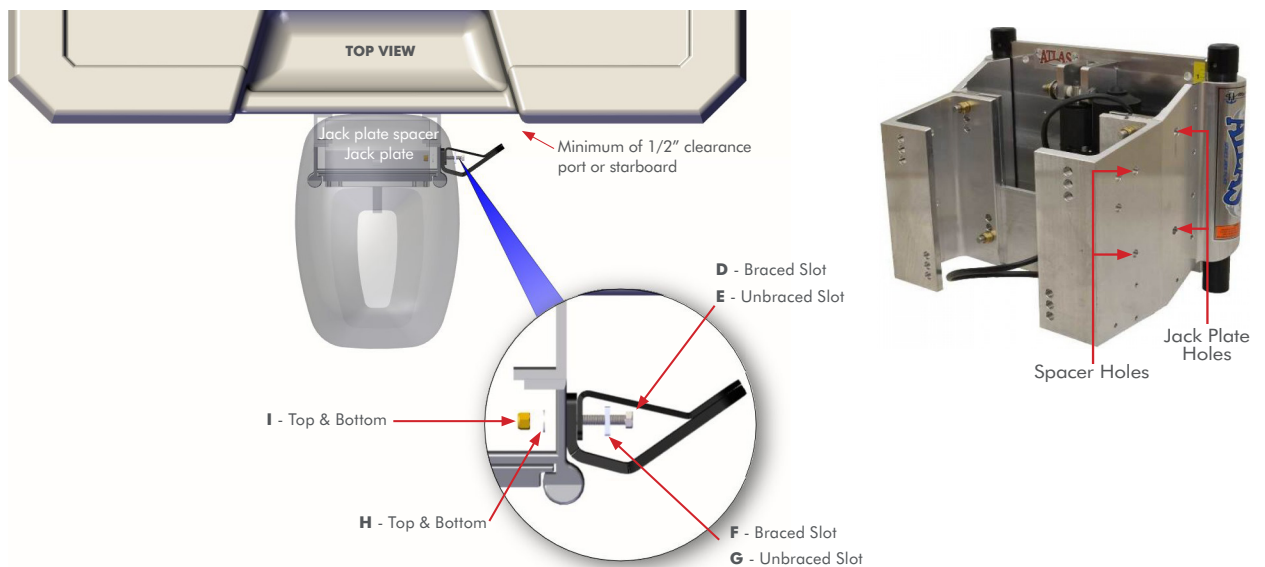
Before drilling, check inside the Jack Plate for any obstructions or clearance issues of Hardware to be installed.

Tighten all Hardware to 960 inch pounds/80 foot pounds of torque.

T-H MARINE ATLAS JACK PLATE 4" & 6"



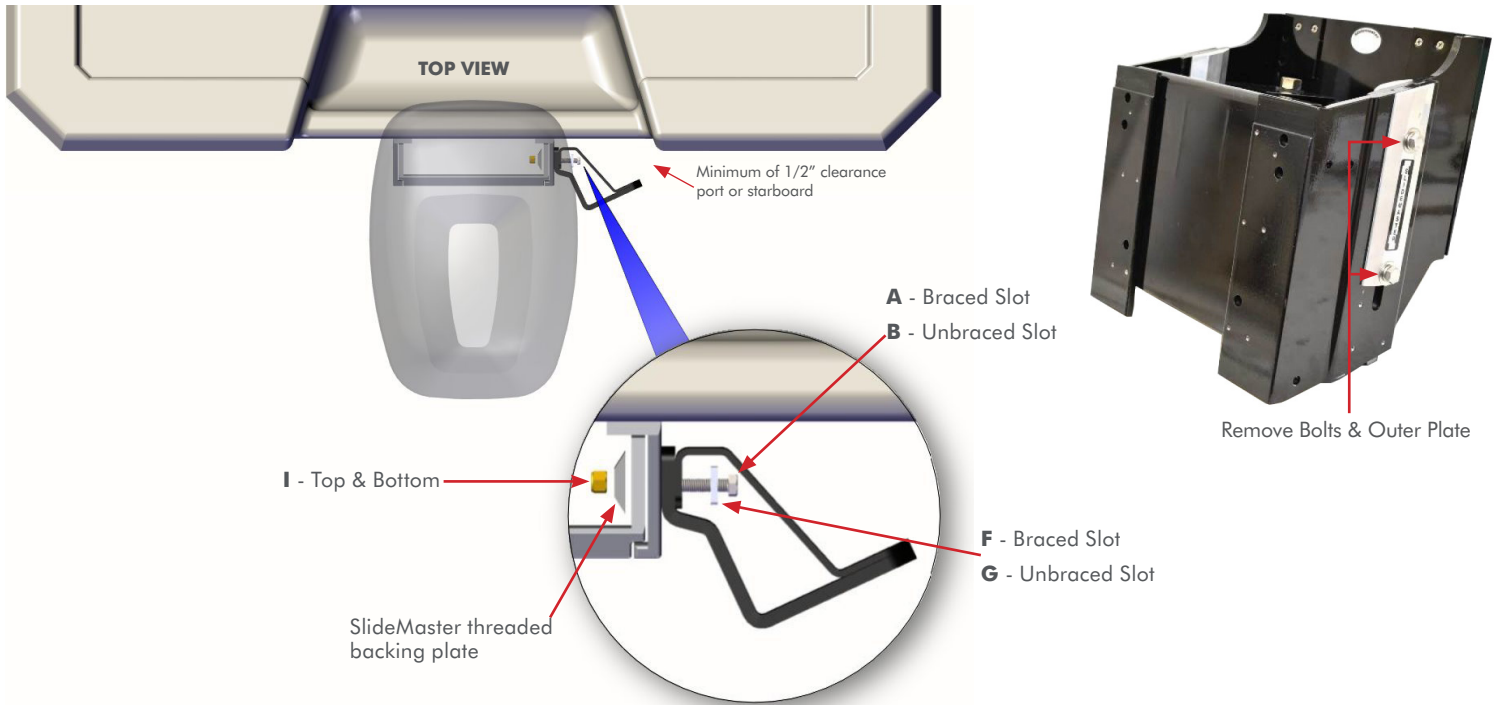
T-H MARINE ATLAS JACK PLATE 8", 10", & 12"



NOTE: Choose the set of mounting holes that allow for proper clearance (either **Spacer** or **Jack Plate**).

Need help? Contact our Customer Service Team at **1 + 813.689.9932 Option 2**

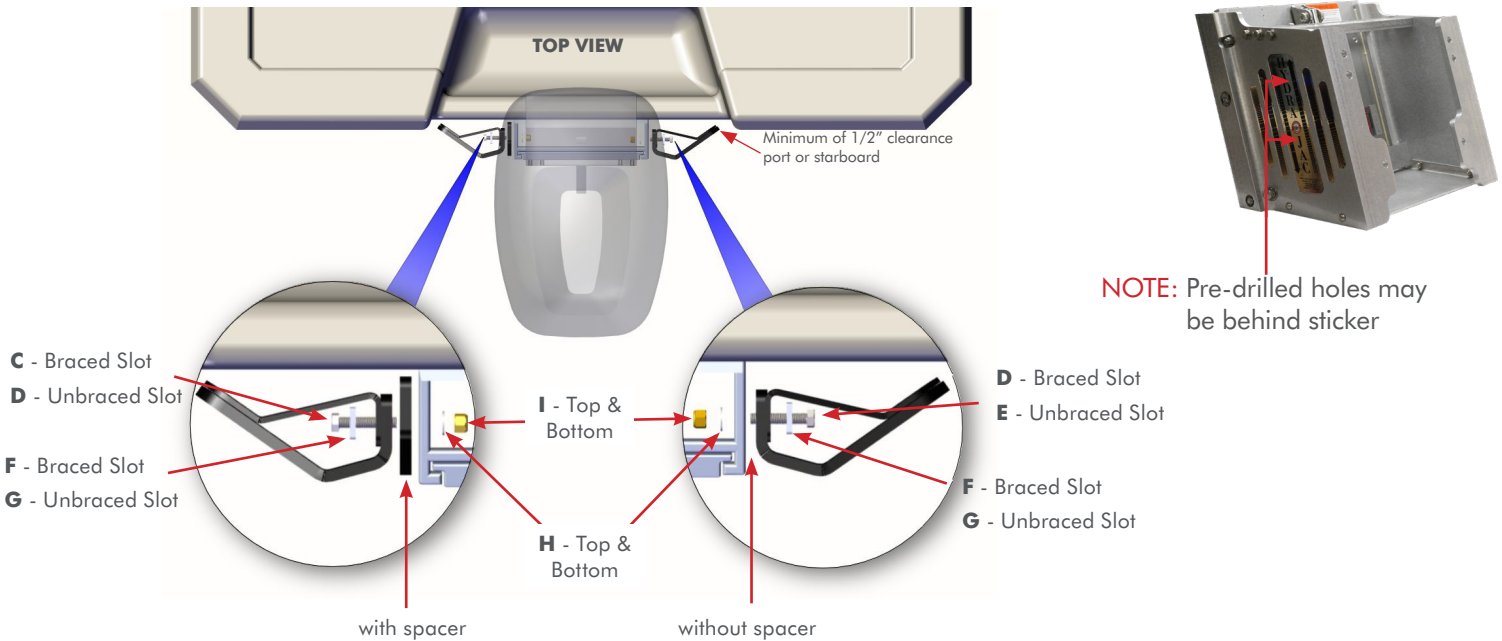
R&R SLIDEMASTER JACK PLATE



IMPORTANT: Properly support the Outboard Motor according to guidelines in your engine's owner's manual.

NOTE: For dual installation, completely install each Adapter Plate one side at a time.

Bob's Machine Shop (BMS) Jack Plate – All Sizes



NOTES Some BMS plates may require additional spacer. To order, call JL Marine Systems, Inc. at **1 (813)-689 9932 Opt. 2**

IMPORTANT! For some models, the Spacer will **SPAN, NOT FIT INTO** the recessed area.

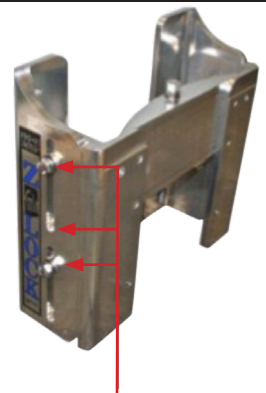
Need help? Contact our Customer Service Team at **1 + 813.689.9932 Option 2**

T-H Marine Z-Lock™ Manual Jack Plate

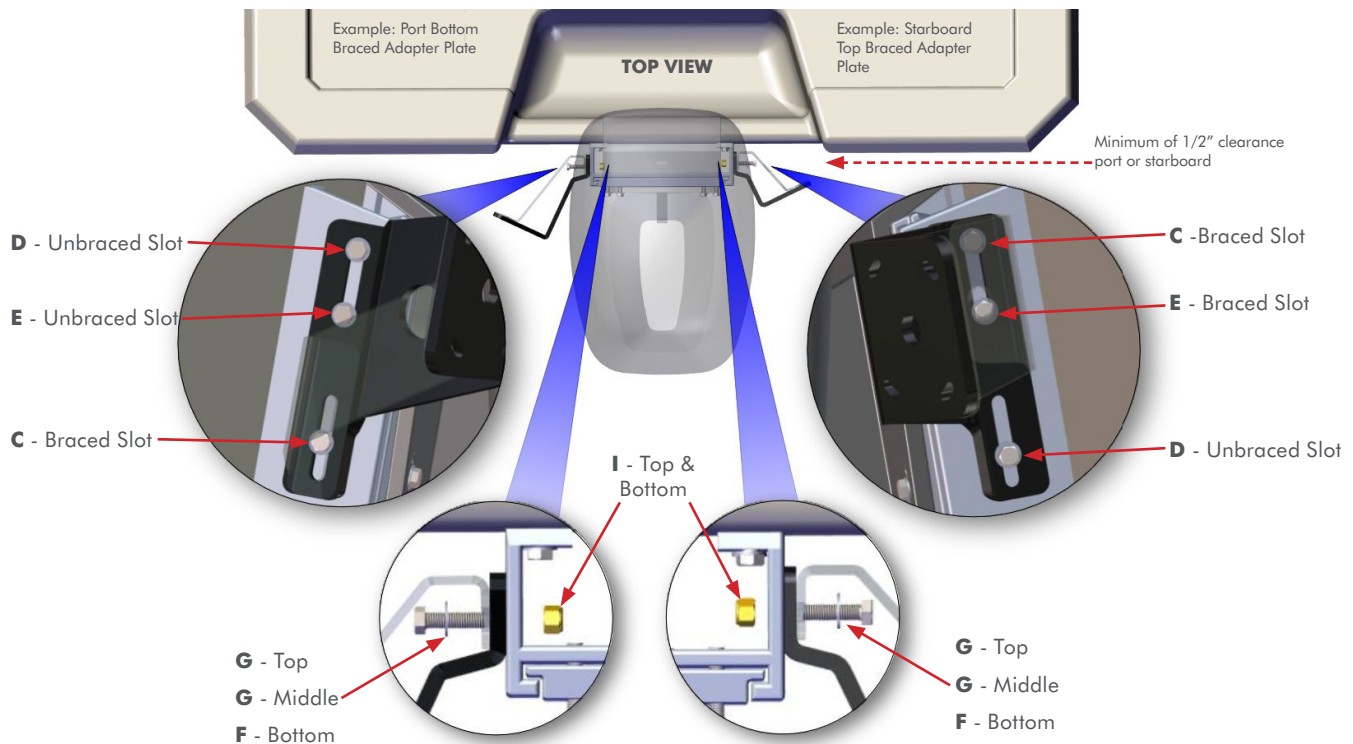
IMPORTANT: Properly support the Outboard Motor according to guidelines in your engine's owner's manual.

STEP 1: Remove Lock Nuts on the inside of the Jack Plate.

STEP 2: Remove the 2 or 3 Bolts on the outside of the Jack Plate where the Side-Mount Adapter Plate will be installed.



Z-Lock Jack plate factory bolts.



NOTES:

- The Z-Lock has two Bolts in the top mounting slot. **Both** Bolts need to be installed through the Adapter Plate.
- For dual installation, completely install each Adapter Plate one side at a time.

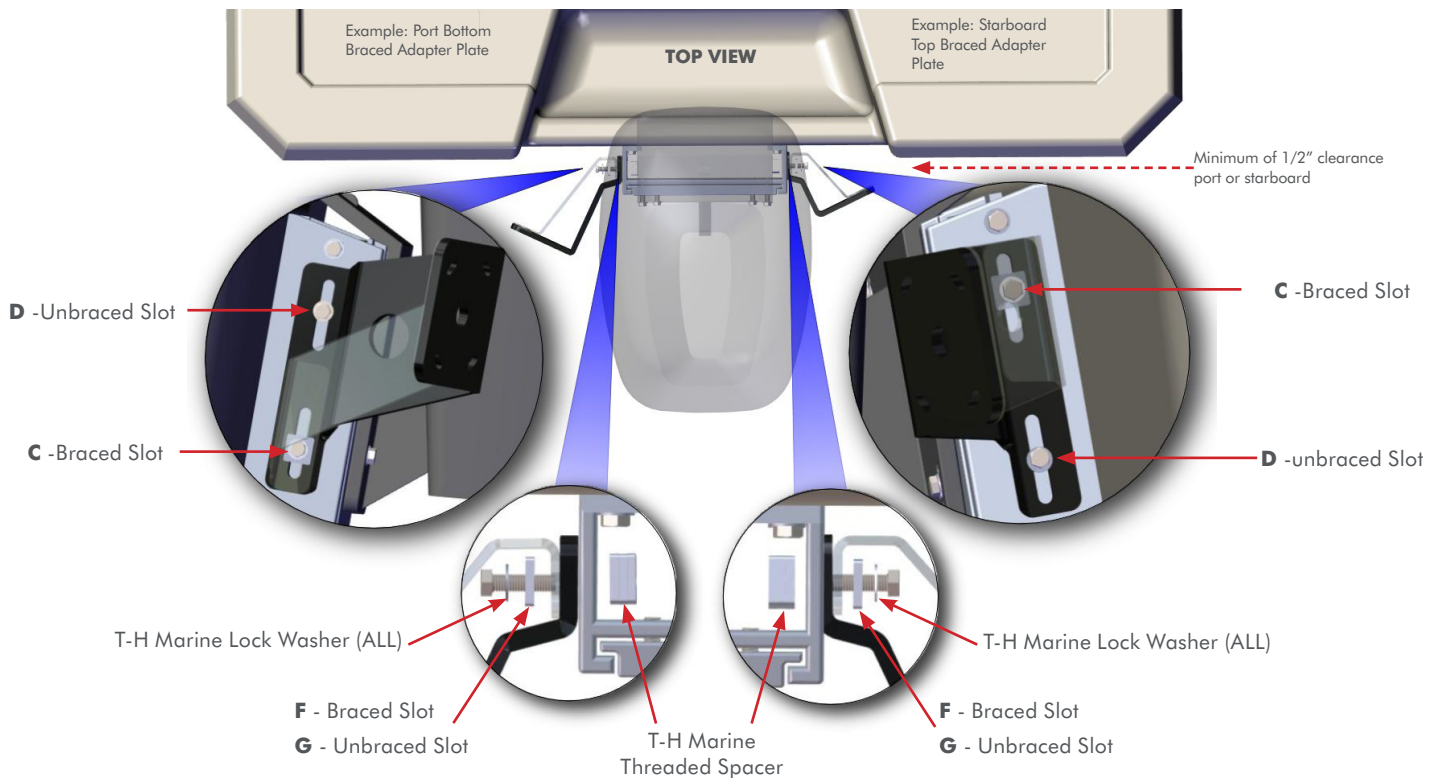
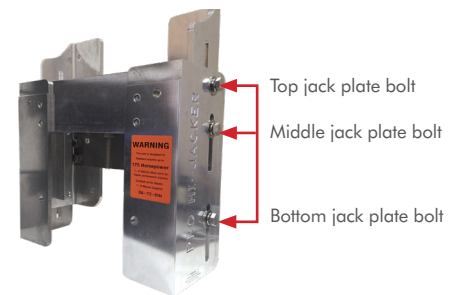
T-H Marine Pro Hi-Jacker™ Manual HP

IMPORTANT: Properly support the Outboard Motor according to guidelines in your engine's owner's manual.

NOTE: For dual installation, completely install each Adapter Plate one side at a time.

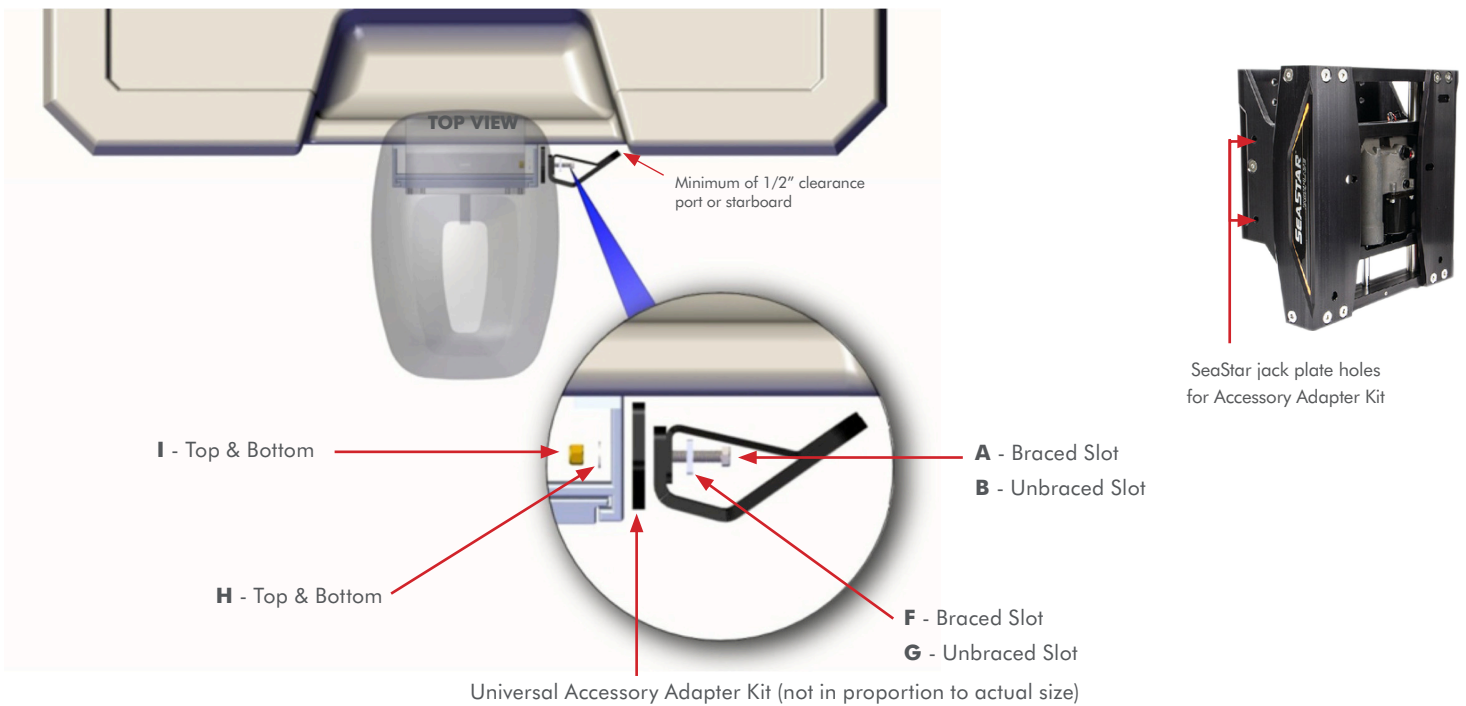
STEP 1: Remove the Lock Nuts on the inside of the Jack Plate.

STEP 2: Remove the **middle** and **bottom** Bolts on the outside of the Jack Plate where the Side-Mount Adapter Plate will be installed.



Need help? Contact our Customer Service Team at **1 + 813.689.9932 Option 2**

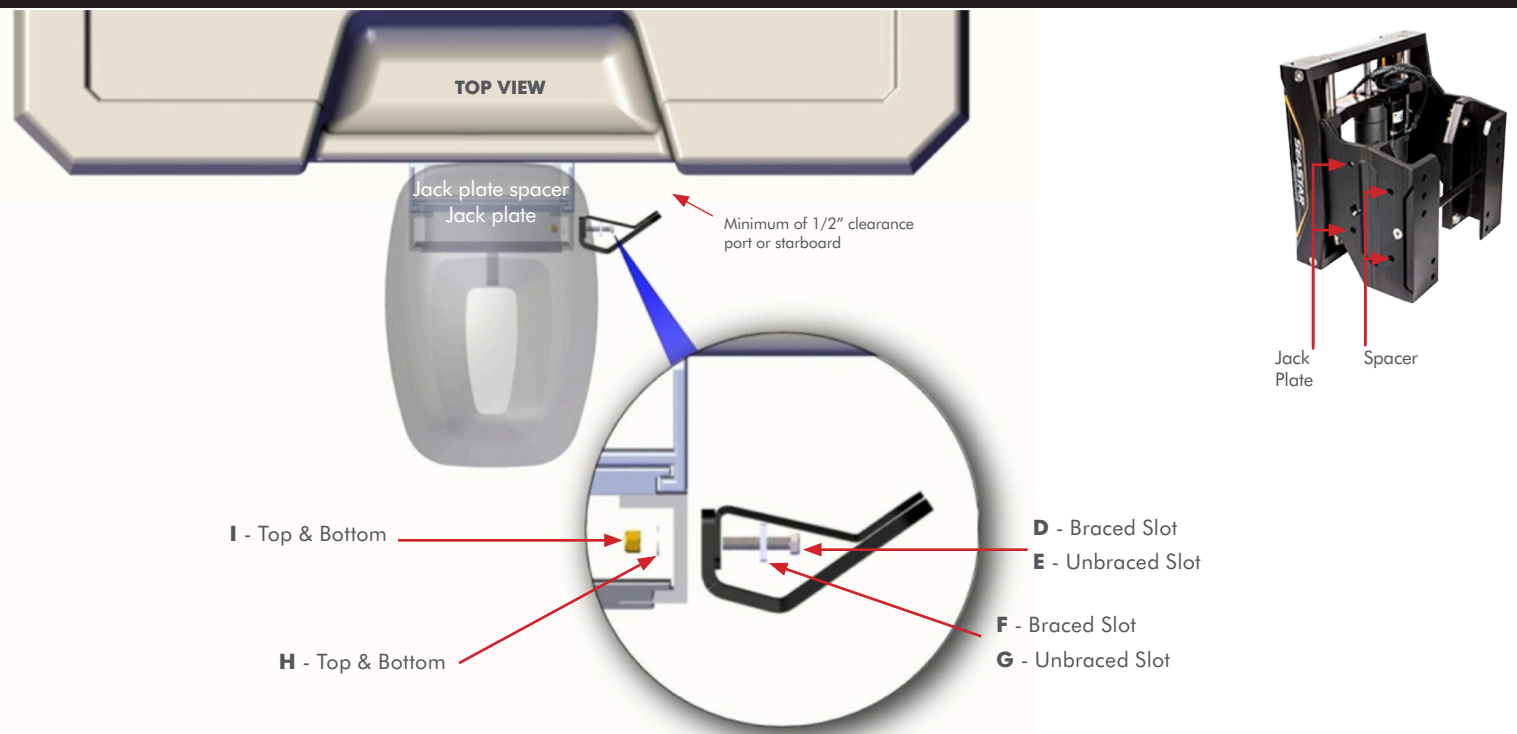
SeaStar 6" (3rd Generation)



IMPORTANT:

Accessory Adapter Kit is required to mount Side Mount Adapter Plates to a SeaStar 6" Jack Plate. To order, call JL Marine Systems, Inc. at **1 (813) 689-9932 Opt. 2**

SeaStar 8", 10", & 12" (3rd Generation)



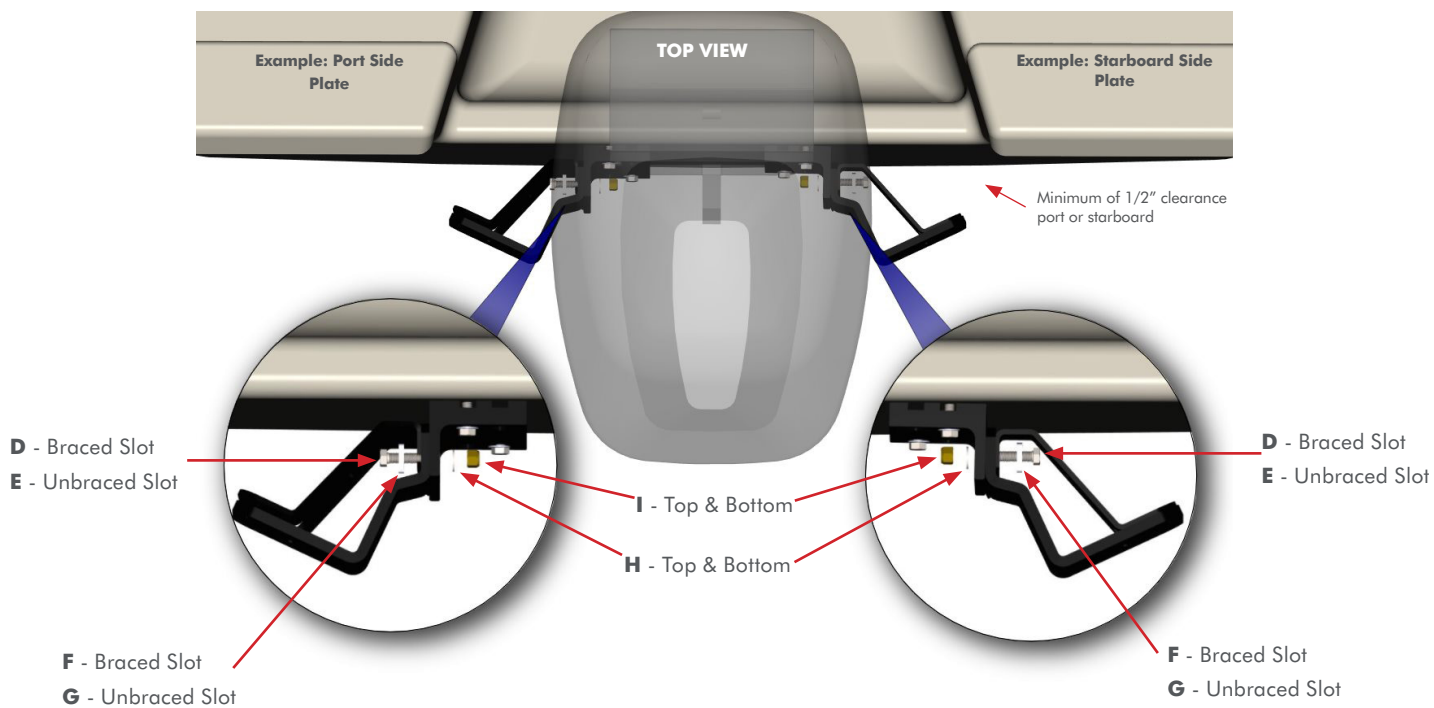
NOTES:

- 10" models may require an additional SeaStar spacer kit. To order, call JL Marine Systems, Inc. at **1 (813)-689-9932 Opt. 2.**
- Determine if mounting to the **Spacer** or **Jack Plate** depending on clearance requirement.

Need help? Contact our Customer Service Team at **1 + 813.689.9932 Option 2**

Motor to Side (M to S) Mount Without Jack Plate (Including Verado Plate)

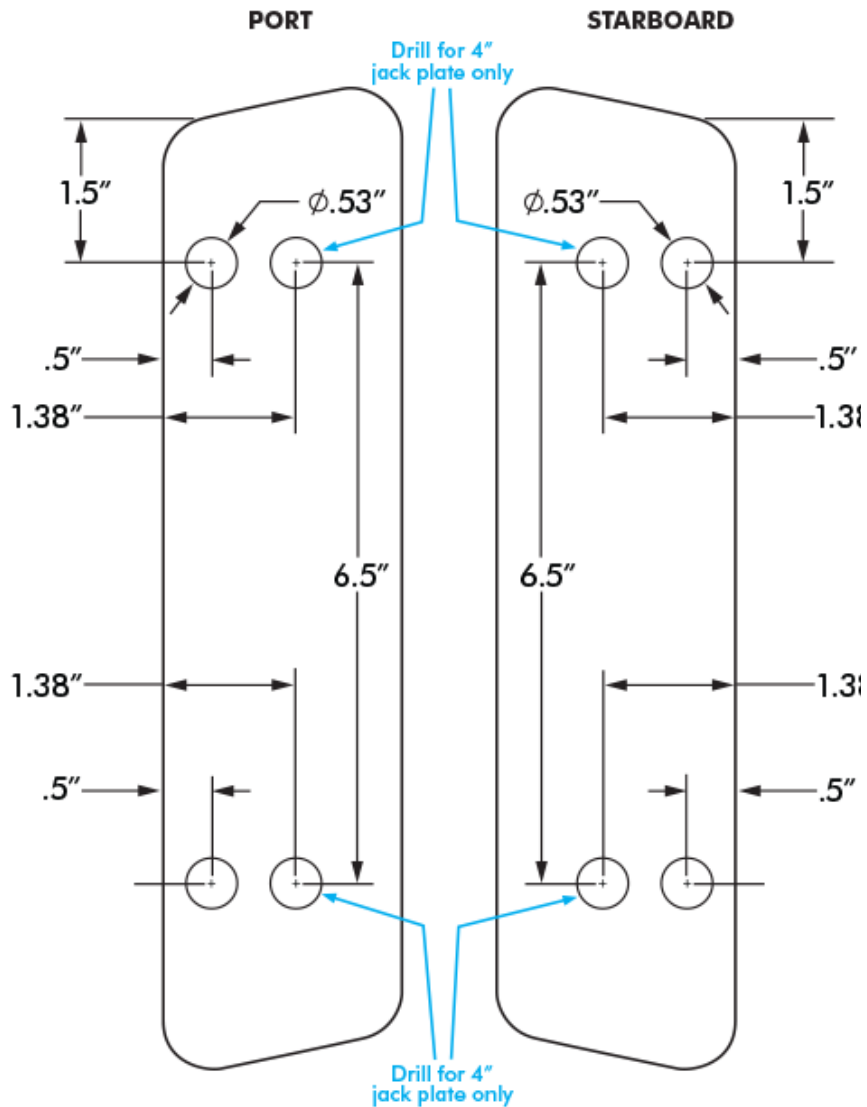
NOTE: When not using a jack plate, M to S Adapter Plates are required for all Side-Mount Adapter Plates. To order, call JL Marine Systems, Inc. at **1 (813)-689-9932 Opt. 2.**



Need help? Contact our Customer Service Team at **1 + 813.689.9932 Option 2**

Drilling Measurement Guide (Bob's Machine Shop)

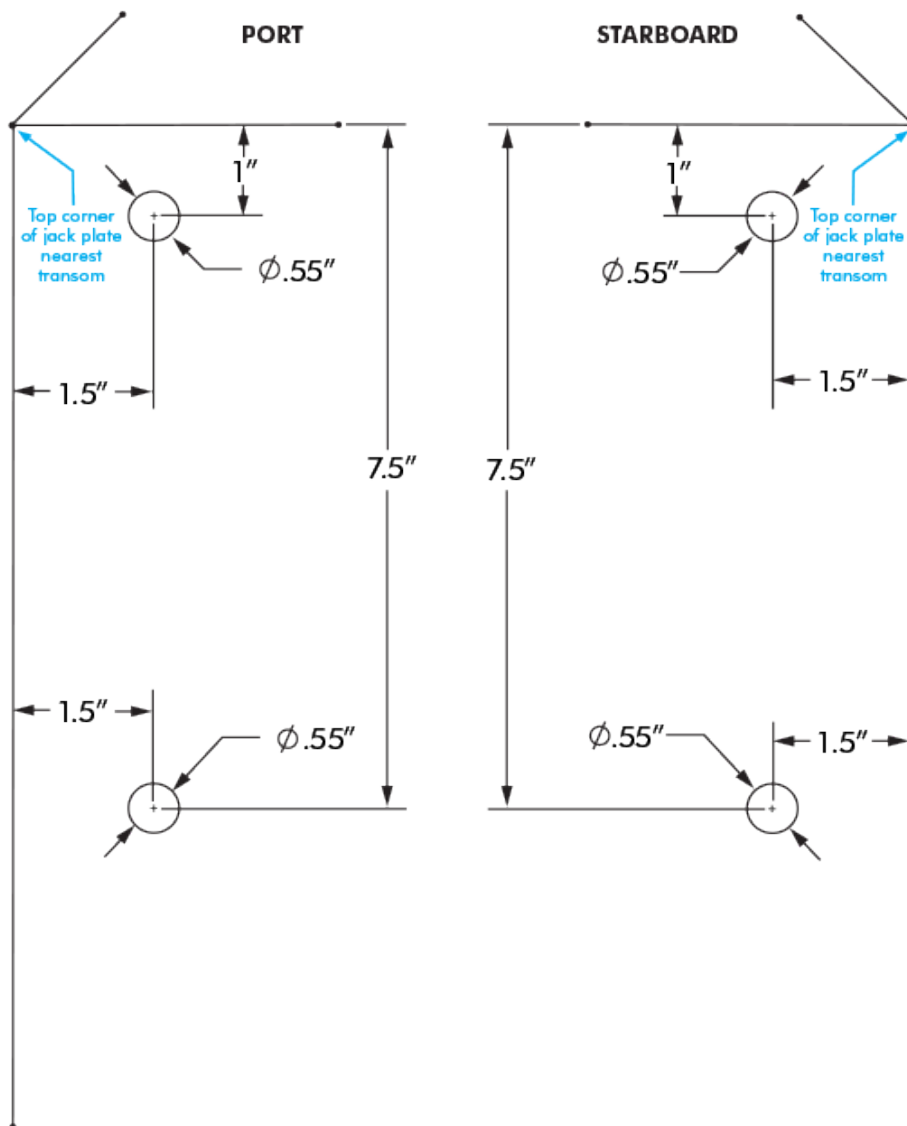
Bob's Machine Shop side mount drilling measurement guide
NOT ACTUAL SIZE. FOR MEASUREMENT PURPOSES ONLY.



Need help? Contact our Customer Service Team at **1 + 813.689.9932 Option 2**

Drilling Measurement Guide (Atlas Jack Plate)

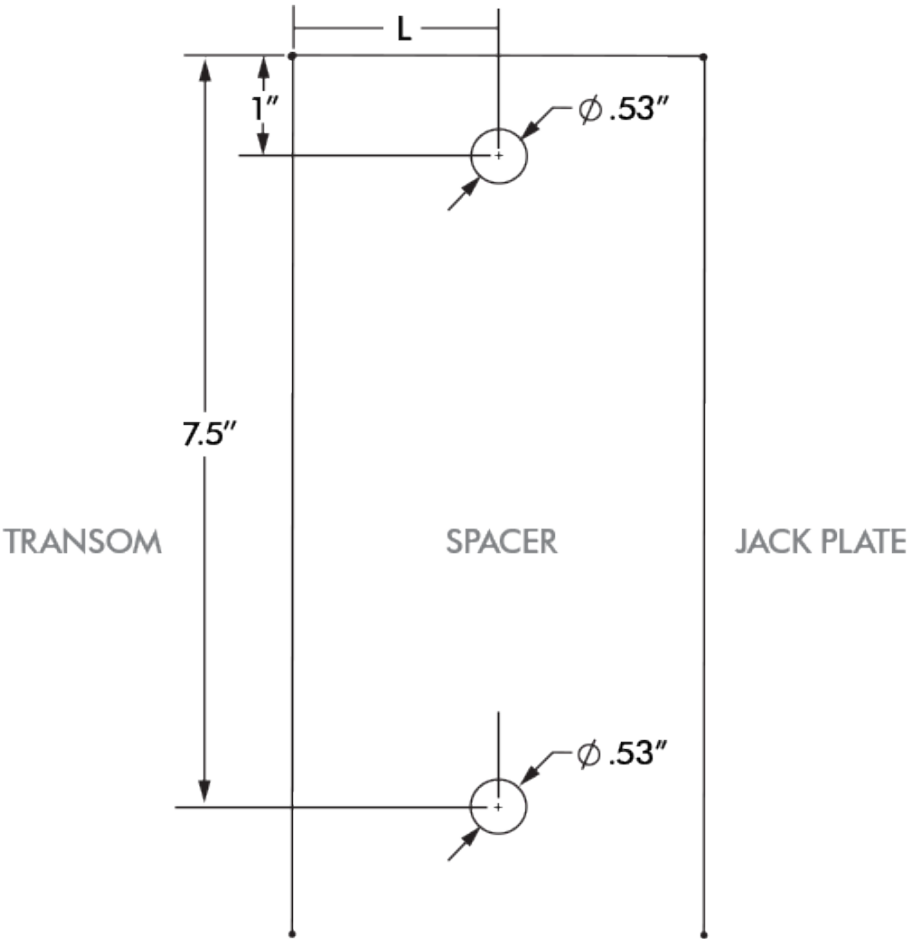
Atlas jack plate drilling measurement guide
NOT ACTUAL SIZE. FOR MEASUREMENT PURPOSES ONLY.



Need help? Contact our Customer Service Team at **1 + 813.689.9932 Option 2**

Drilling Measurement Guide (Atlas Spacer Plate)

Atlas spacer plate drilling measurement guide
NOT ACTUAL SIZE. FOR MEASUREMENT PURPOSES ONLY.



For a 6 inch spacer	L = 3"
For a 4 inch spacer	L = 2"

Need help? Contact our Customer Service Team at **1 + 813.689.9932 Option 2**

CAUTION:
Do not use the Power-Pole shallow water anchor as your primary anchorage.
Never leave your boat unattended while anchored solely with the Power-Pole shallow water anchor.

US Pat No. 6,041,730

Need help? Contact our Customer Service Team at
1 + 813.689.9932 Option 2



9010 Palm River Road, Tampa, Florida 33619
Phone 813-689-9932 Fax 813-689-8883
www.power-pole.com