

17

15

13

11

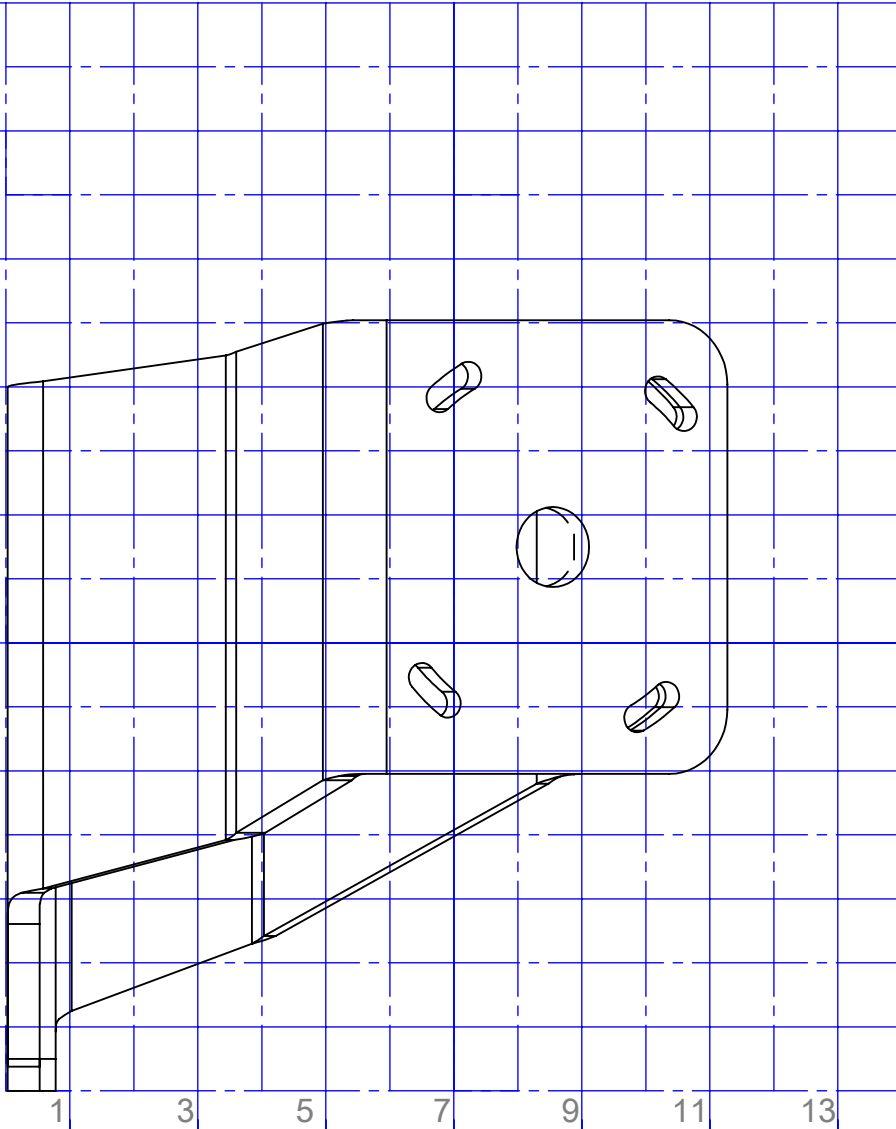
9

7

5

3

1



-1

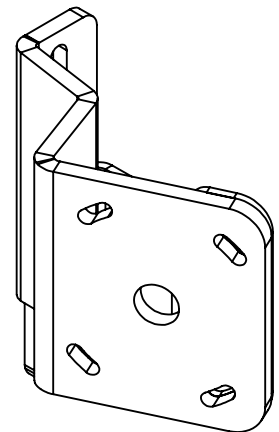
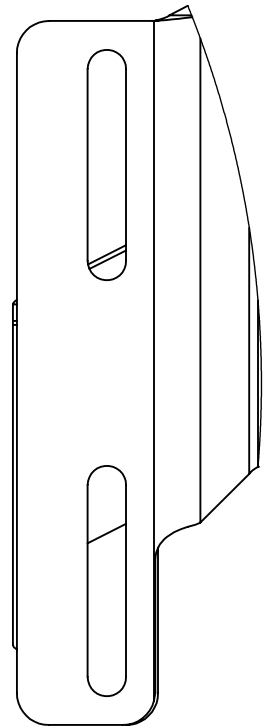
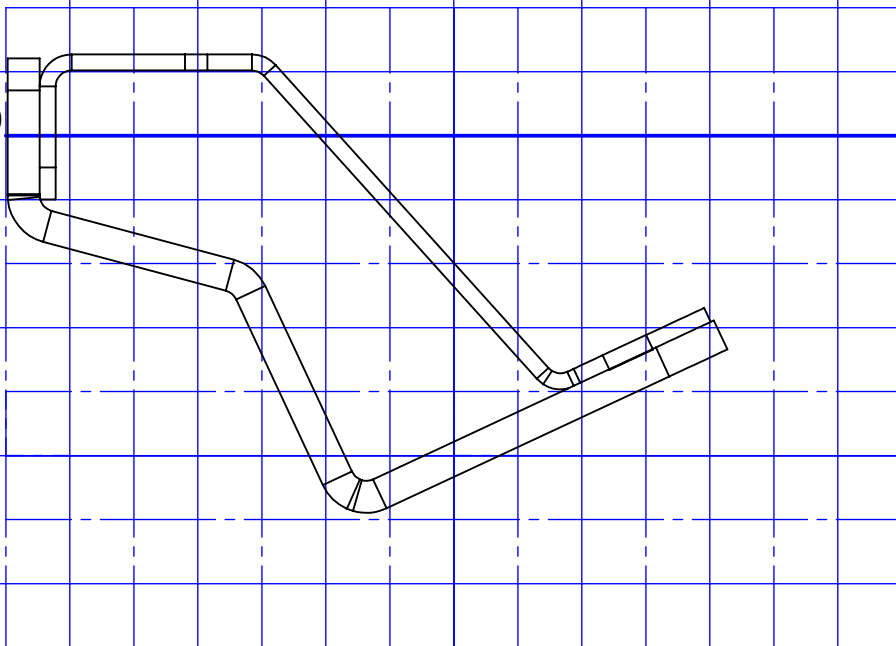
0

1

3

5

7



Grid Dimensions: Inches

# AP-S-2-3-S Braced

SIZE <b>A</b>	DWG. NO. S-2-3 GRID FILES	REV. AA
SCALE:1:3	WEIGHT: 9.68	SHEET 4 OF 52