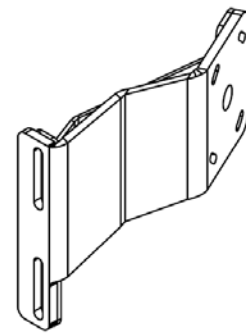
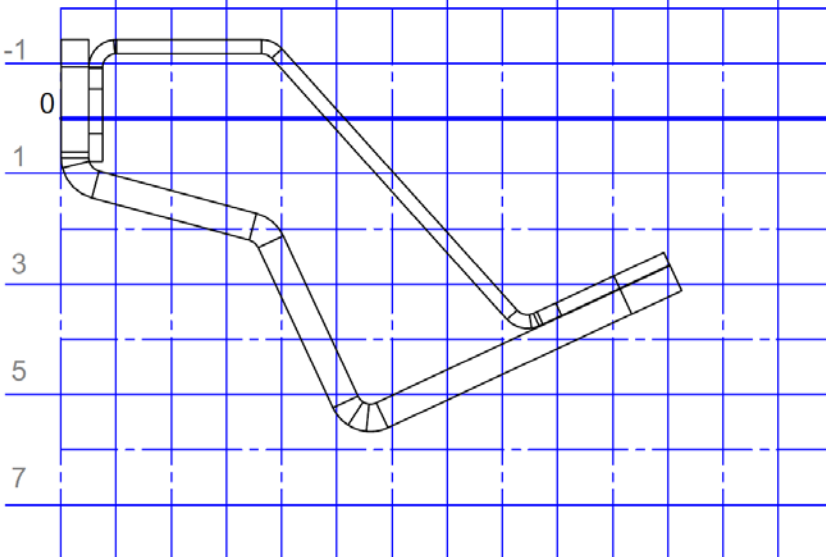
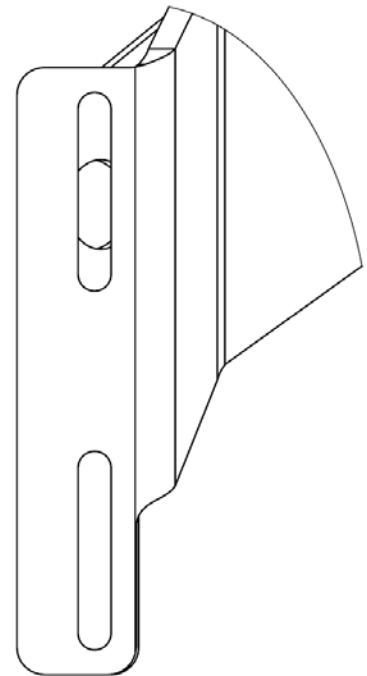
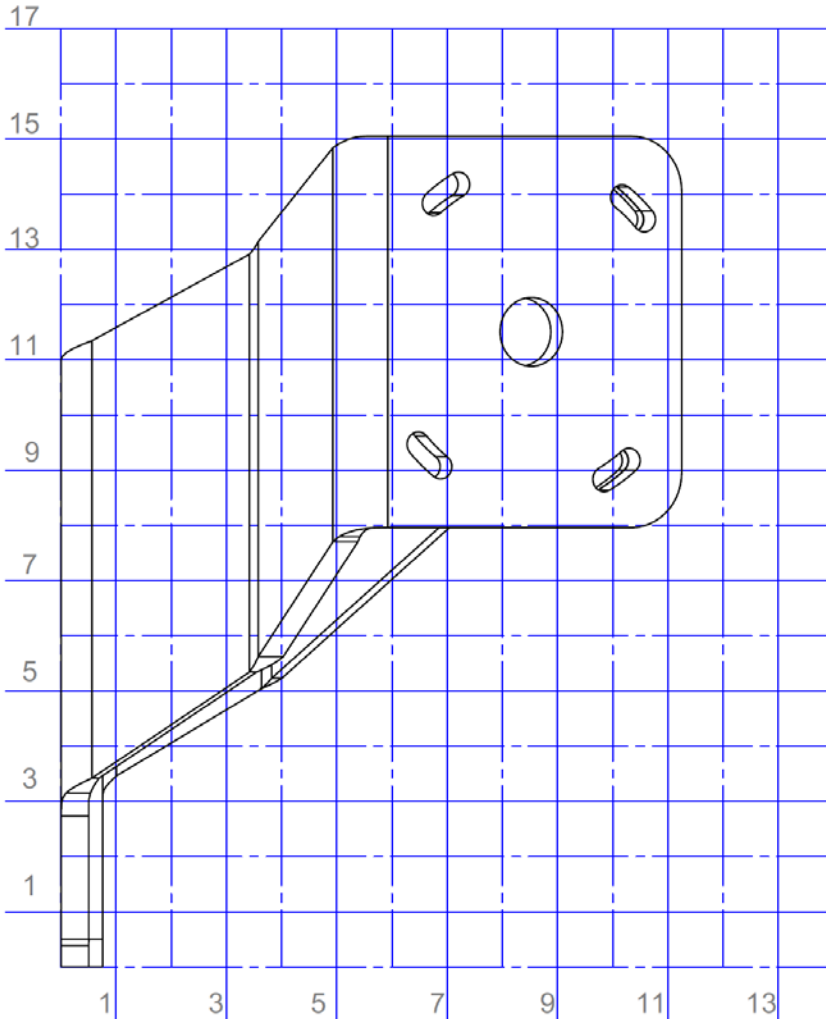




SWIFT. SILENT. SECURE.



Grid Dimensions: Inches

APB-S-2-6-S

| | | |
|------------------|--------------------------------|---------------|
| SIZE A | DWG. NO. Adapter Plate Grid | REV. |
| SCALE: 1:3 | WEIGHT: 7.54 | SHEET 7 OF 31 |