

15

13

11

9

7

5

3

1

0

-2

0

2

4

6

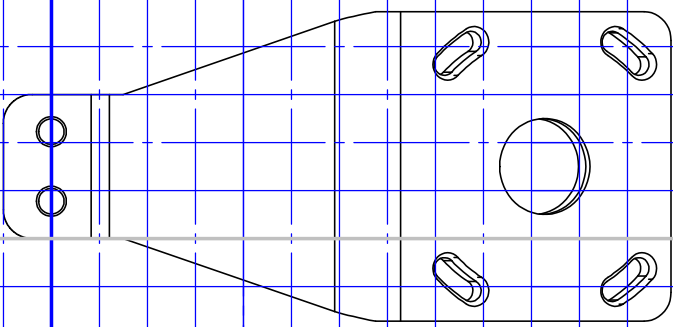
8

10

12

14

16



0

1

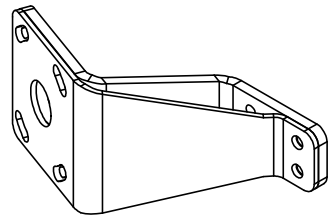
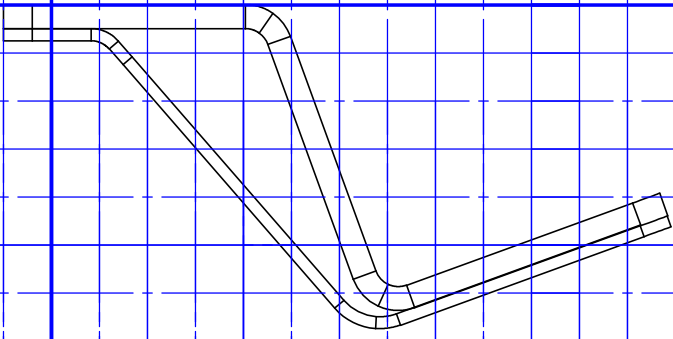
3

5

7

9

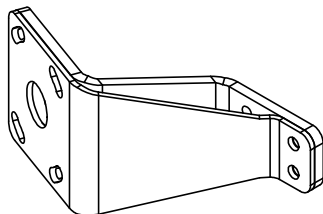
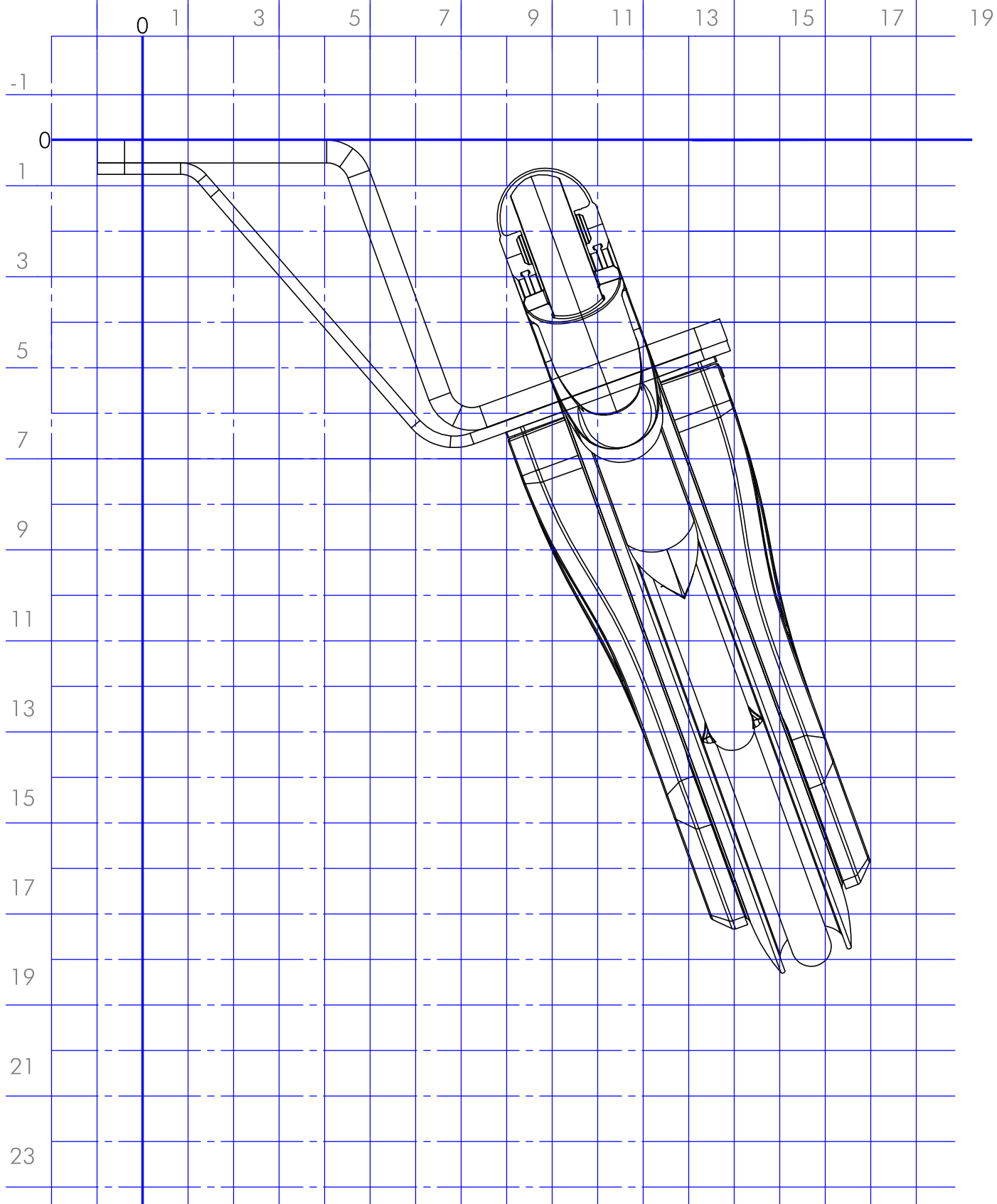
11



Grid Dimensions: Inches

PKB-T-4-0-U

SIZE	DWG. NO.	REV.
A	Adapter Plate Grid	AA
SCALE:1:4	WEIGHT: 5.764	SHEET 35 OF 55



Grid Dimensions: Inches

PKB-T-4-0-U

SIZE	DWG. NO.	REV.
A	Adapter Plate Grid	AA
SCALE:1:3	WEIGHT:	SHEET 36 OF 55