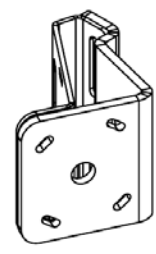
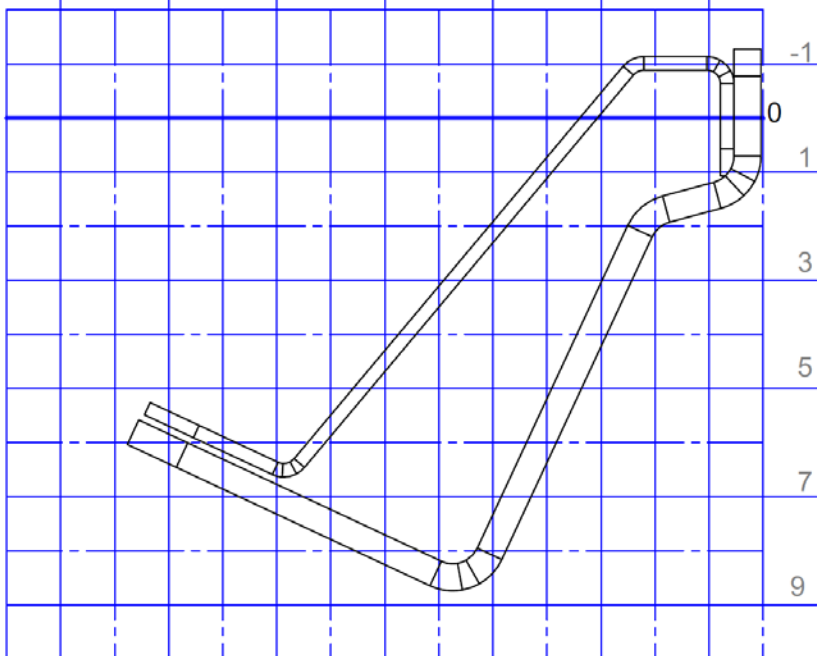
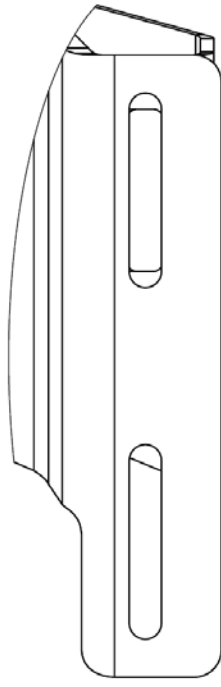
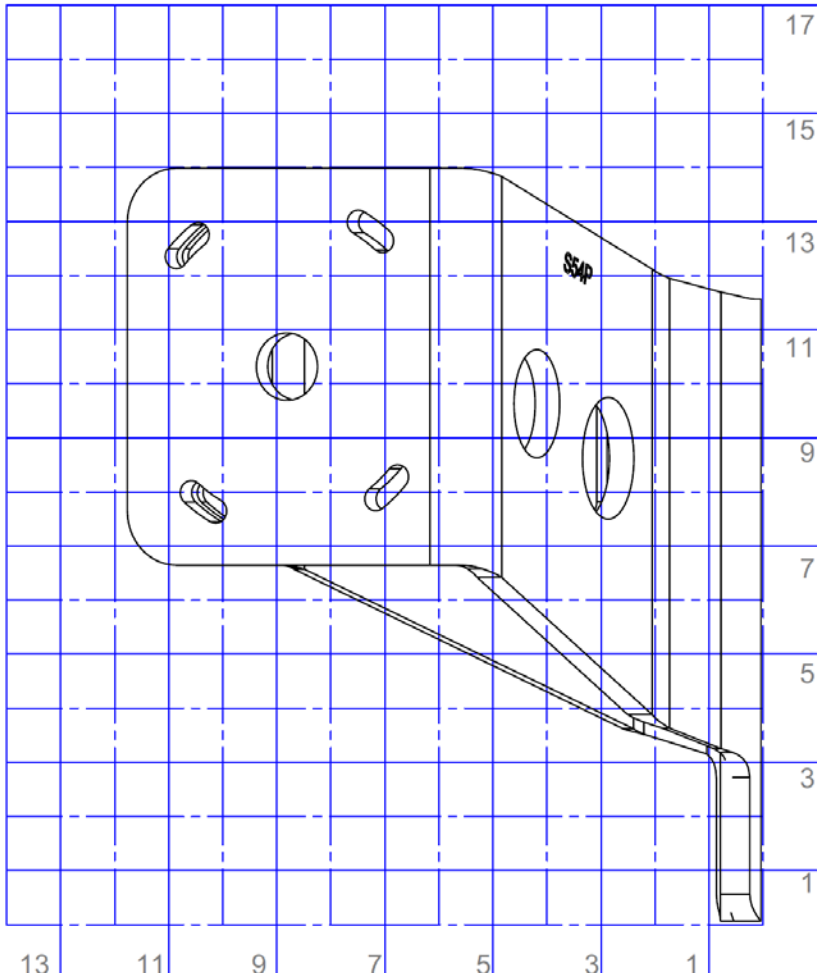




SWIFT. SILENT. SECURE.



Grid Dimensions: Inches

**APB-S-5-4-P**

SIZE	DWG. NO.	REV.
A	Adapter Plate Grid	
SCALE: 1:3	WEIGHT: 9.68	SHEET 16 OF 31