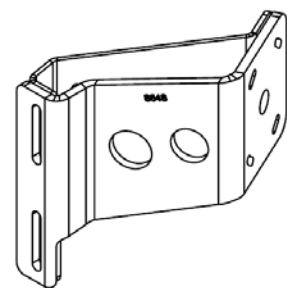
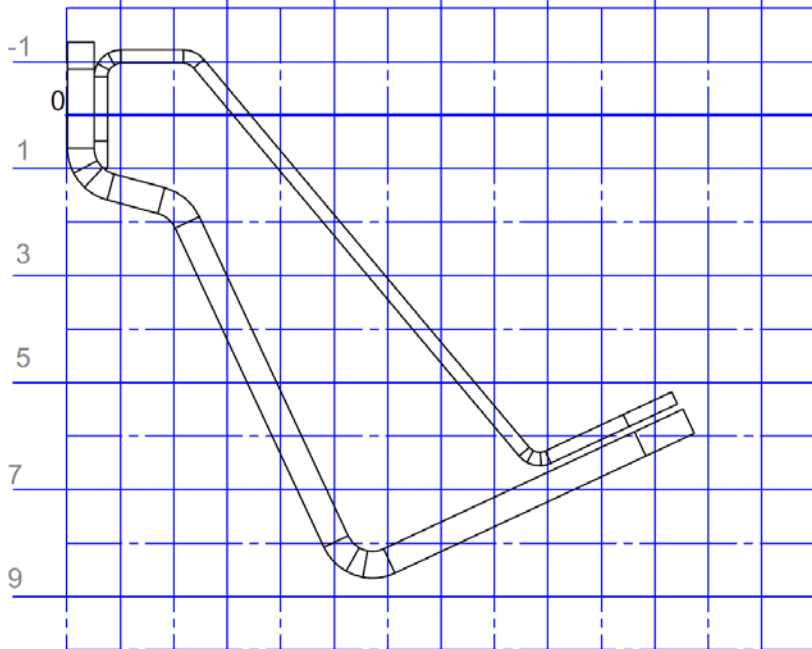
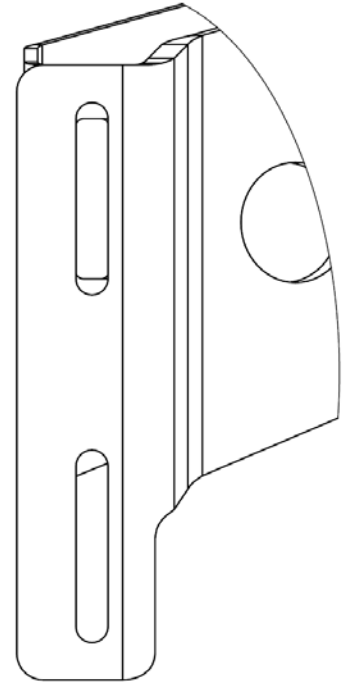
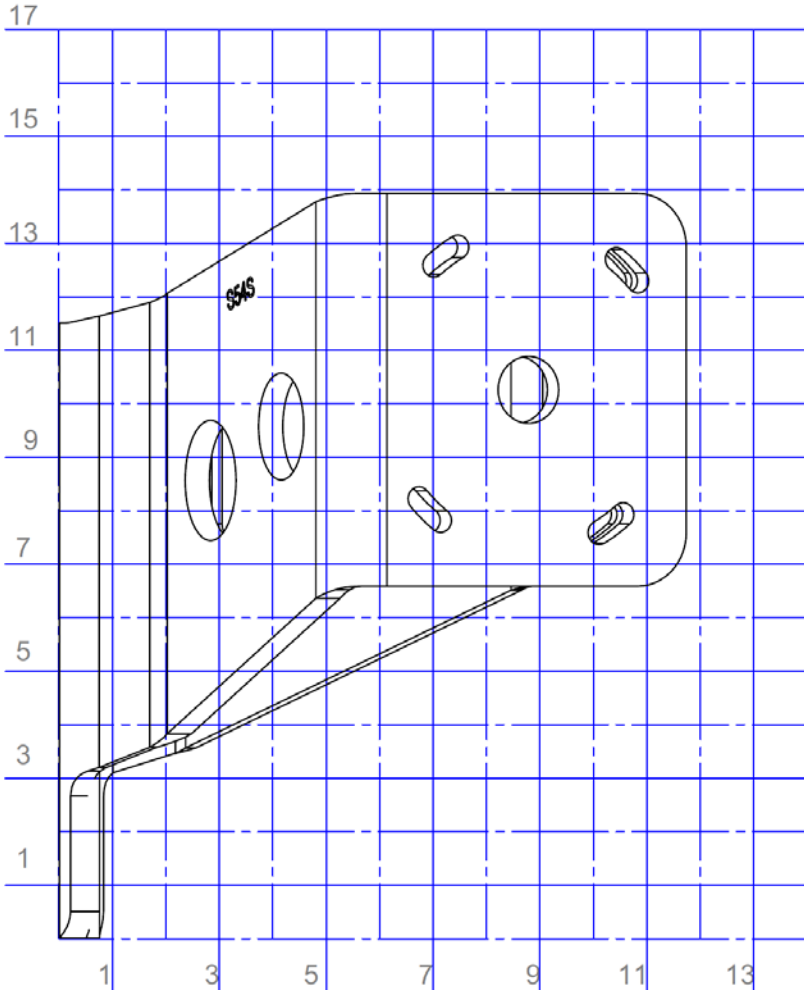




SWIFT. SILENT. SECURE.



Grid Dimensions: Inches

|                    |              |                    |      |
|--------------------|--------------|--------------------|------|
| <b>APB-S-5-4-S</b> |              |                    | REV. |
| SIZE               | DWG. NO.     | Adapter Plate Grid |      |
| SCALE: 1:3         | WEIGHT: 9.68 | SHEET 15 OF 31     |      |